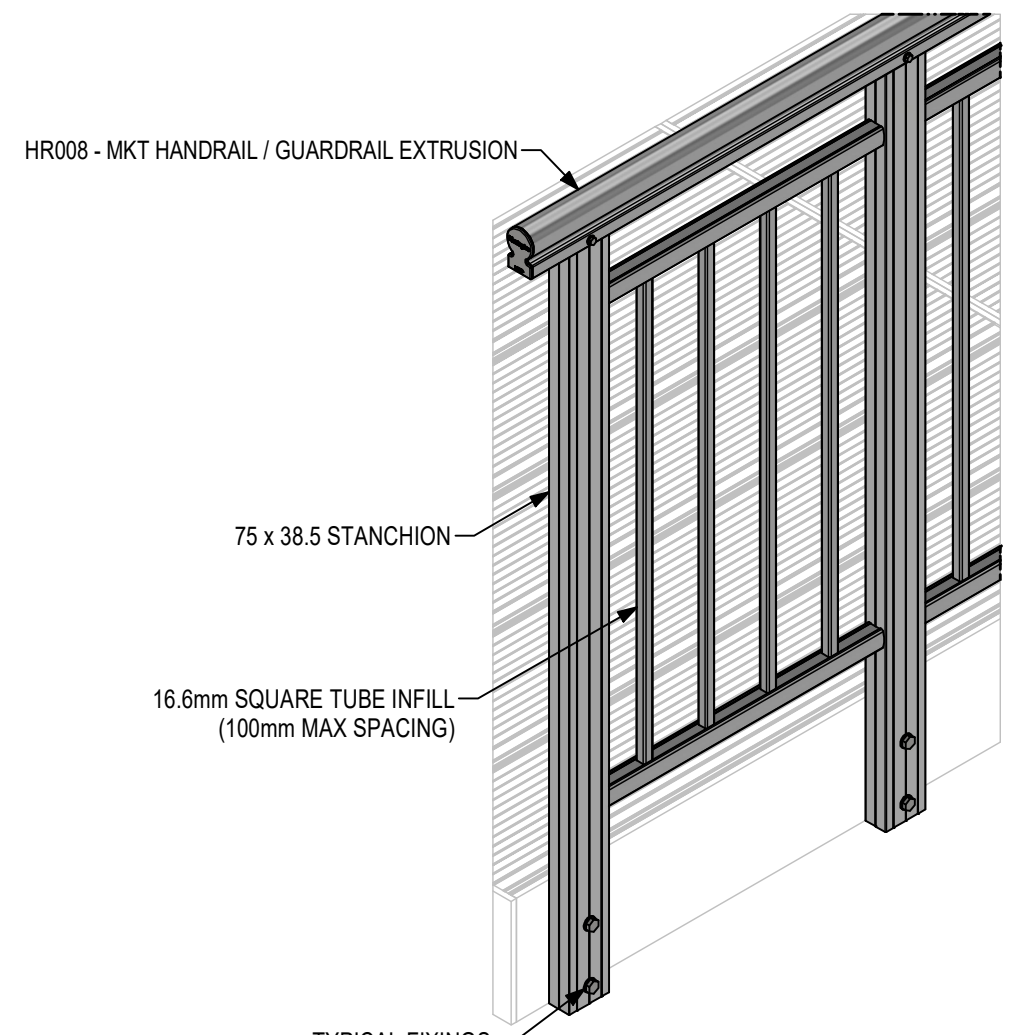
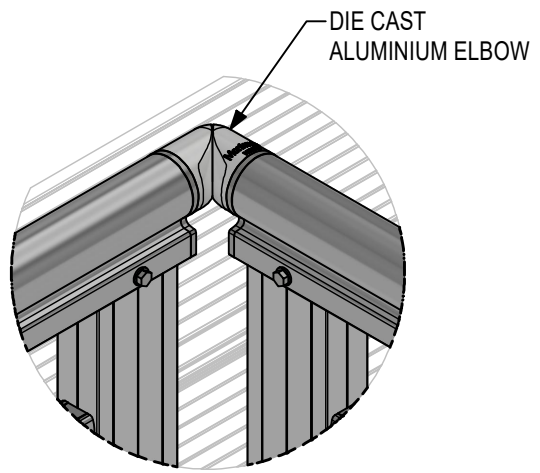


A
B
C
D
E
F

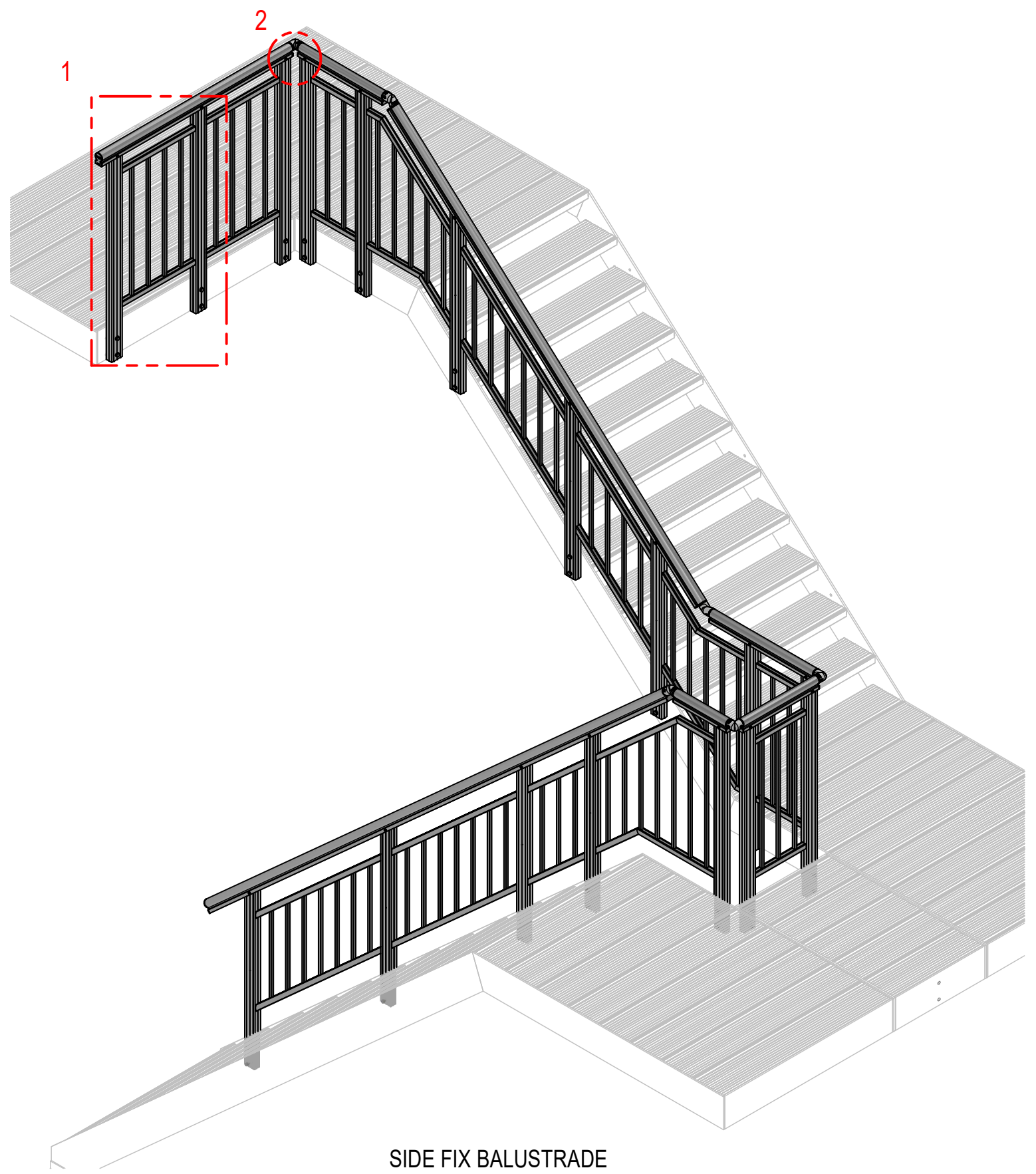


TYPICAL FIXINGS
WOOD - M10 COACH SCREW
CONCRETE - M10 TRU BOLT
STEEL - M10 S/S BOLT

DETAIL 1
1:10



DETAIL 2
1:5



SIDE FIX BALUSTRADE
1:25

DESIGNED IN ACCORDANCE WITH
•BUILDING CODES D1 and F4
•NZS/AS 1675-1992

Monkeytoe

EVERYTHING BETTER
0800 658 637 - www.monkeytoe.co.nz

CONTEMPORARY BALUSTRADE		
MONKEYTOE GROUP LTD		
DWG No: 2005-CON-1	03/11/2024	
	SHEET 1 OF 1	A3
	SCALE: 1 : 25	REV:-
DO NOT SCALE	DIMENSIONS IN MILLIMETERS	