

PRODUCT BROCHURE

CONDENSER MOUNTS

MonkeyToe Co

Marketylo



CONTENTS

Condenser Mounts	5
Condenser Mounts Quick reference	6
Condenser Mount Components / Fixing Kit	10
Condenser Mount Calculator Tool	11
RCO2 Top Fix Installation	12
Correct & Incorrect Installation	13
CM01 Series Condenser Mount Drawing	14
CM02 Series Condenser Mount Drawing	16
CM03 Series Condenser Mount Drawing	18
CM05 Series Condenser Mount Drawing	20
CM10 Series Condenser Mount Drawing	22
Condenser Wall Mounts	24
Unit Stacker Mounts	25
Condenser Security Cover	26
Condenser Security Cover install guide	27
Duct Supports	28
Duct Support Components	29
Ground mounted Duct Supports Installation Guide	30
Down the roof Duct Supports Installation Guide	31
Across the roof Duct Supports Installation Guide	32
Duct Support Calculator Tool	33

WE'RE IN THE BUSINESS OF GOING OVER AND ABOVE

HVAC plant mounting systems for any construction application.

We're tried and true.

Our systems are trusted worldwide by architects, engineers and building owners.

We tackle and solve your mounting challenges, and it's our approach that's our difference.

Everyone wants good. We deliver everything better.

MONKEYTOE

INSTALLATION MANUAL DOWNLOAD

Monkeytoe Condenser Roof Mounts



MONKEYTOE

CONDENSER MOUNTS

Our fully adjustable aluminium roof mounting products are suitable for a variety of HVACR units up to 1000kg.

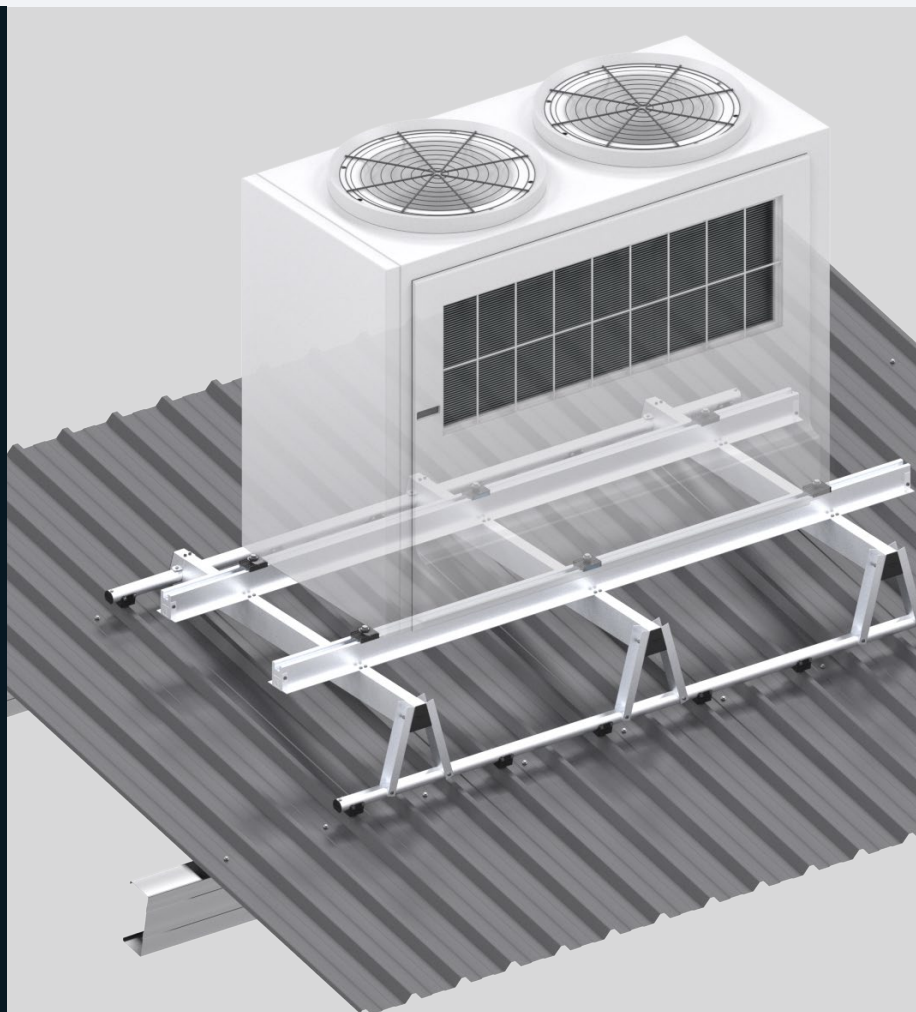
Boxed kit-set and ready to install, our condenser mounting systems used Monkeytoes specialised mounting clips and fixings to ensure loads are taken down to the roof structure, not applied to the roof itself.



For more information visit www.monkeytoe.co.nz/product/condenser-mounts

THE KEY BENEFITS

- Eliminates incorrect fixing and mounting methods
- Marine grade aluminium
- Fast installation times
- Lightweight boxed kit-sets
- Modular, Adjustable Assembly
- Fully-engineered
- Compatible with roofing warranties
- All kits include anti-vibration mounts
- Adjustable support for equipment weighing up to 1000kg
- 25 year warranty



CM05 CONDENSER MOUNT

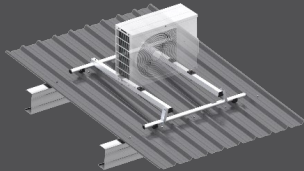
MONKEYTOE

CONDENSER MOUNTS QUICK REFERENCE GUIDE

Scan me for installation video



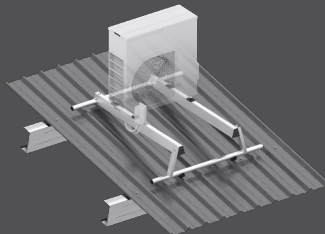
CM01



Suitable for up to 120kg

Suitable for 600-2400mm purlin spacings

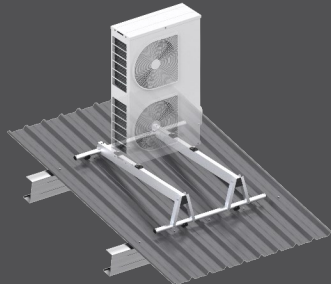
CM02



Suitable for up to 200kg

Suitable for 600-2400mm purlin spacings

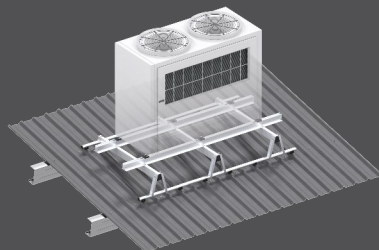
CM03



Suitable for up to 300kg

Suitable for 600-2400mm purlin spacings

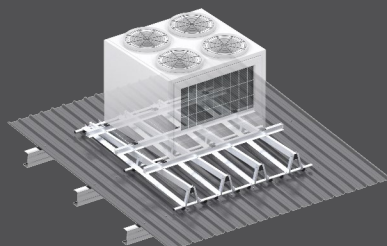
CM05



Suitable for up to 500kg

Suitable for 600-2400mm purlin spacings

CM10

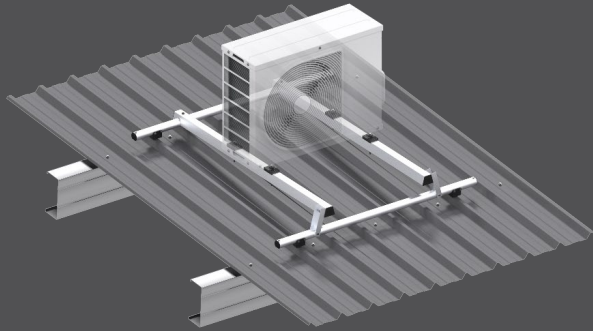


Suitable for up to 1000kg

Suitable for 1200-1500mm purlin spacings

MONKEYTOE MOUNTS

CM01 CONDENSER MOUNT



SPECIFICATIONS

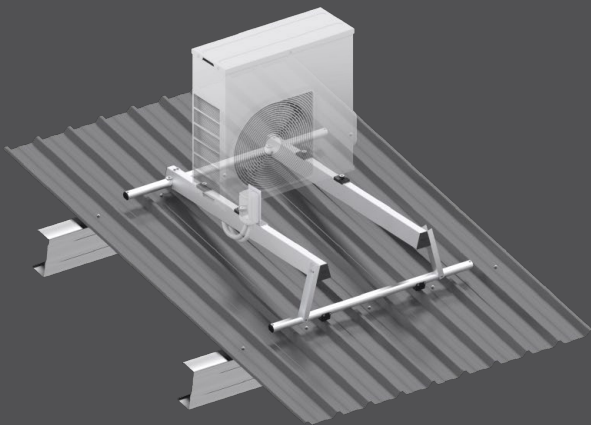
- Supports up to 120kg
- 600-2400mm purlin spacing
- Anti-vibration mounts included
- Provides an adjustable mounting area of up to 1200mm x 2400mm with a load rating of 120kg
- Fully engineered to AS/NZ 1170.0, 1170.1, 1170.2, 1170.4 & 1170.5
- Suitable for any roof profile up to 60mm in depth*
- Suitable for Wind Regions NZ1-4 and AU A, B & C

**Custom fixings for insulated roofs available on request*

CM01.12.1	1200mm purlins	Roof-mounted rating 120kg: adjustable upright 150mm long/0-6deg
CM01.12.3	1200mm purlins	Roof-mounted rating 120kg: adjustable upright 300mm long/0-13deg
CM01.12.6	1200mm purlins	Roof-mounted rating 120kg: adjustable upright 600mm long/0-28deg
CM01.18.1	1800mm purlins	Roof-mounted rating 120kg: adjustable upright 150mm long/0-4deg
CM01.18.3	1800mm purlins	Roof-mounted rating 120kg: adjustable upright 300mm long/0-9deg
CM01.18.6	1800mm purlins	Roof-mounted rating 120kg: adjustable upright 600mm long/0-18deg
CM01.24.1	2400mm purlins	Roof-mounted rating 120kg: adjustable upright 150mm long/0-3deg
CM01.24.3	2400mm purlins	Roof-mounted rating 120kg: adjustable upright 300mm long/0-6deg
CM01.24.6	2400mm purlins	Roof-mounted rating 120kg: adjustable upright 600mm long/0-13deg

MONKEYTOE MOUNTS

CM02 CONDENSER MOUNT



SPECIFICATIONS

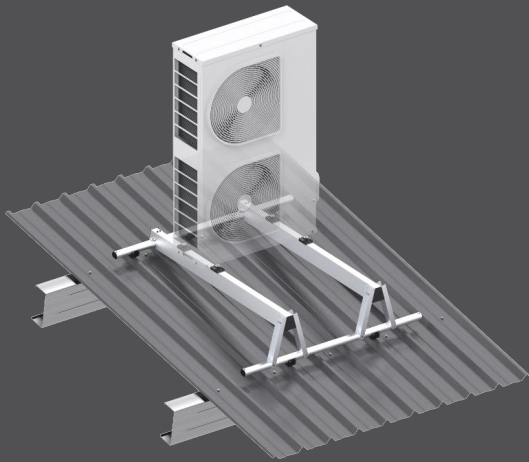
- Supports up to 200kg
- 600-2400mm purlin spacing
- Anti-vibration mounts included
- Provides an adjustable mounting area of up to 1200mm x 2400mm with a load rating of 200kg
- Fully engineered to AS/NZ 1170.0, 1170.1, 1170.2, 1170.4 & 1170.5
- Suitable for any roof profile up to 60mm in depth*
- Suitable for Wind Regions NZ1-4 and AU A, B & C

**Custom fixings for insulated roofs available on request*

CM02.12.1	1200mm purlins	Roof-mounted rating 200kg: adjustable upright 150mm long/0-6deg
CM02.12.3	1200mm purlins	Roof-mounted rating 200kg: adjustable upright 300mm long/0-13deg
CM02.12.6	1200mm purlins	Roof-mounted rating 200kg: adjustable upright 600mm long/0-28deg
CM02.18.1	1800mm purlins	Roof-mounted rating 200kg: adjustable upright 150mm long/0-4deg
CM02.18.3	1800mm purlins	Roof-mounted rating 200kg: adjustable upright 300mm long/0-9deg
CM02.18.6	1800mm purlins	Roof-mounted rating 200kg: adjustable upright 600mm long/0-18deg
CM02.24.1	2400mm purlins	Roof-mounted rating 200kg: adjustable upright 150mm long/0-3deg
CM02.24.3	2400mm purlins	Roof-mounted rating 200kg: adjustable upright 300mm long/0-6deg
CM02.24.6	2400mm purlins	Roof-mounted rating 200kg: adjustable upright 600mm long/0-13deg

MONKEYTOE MOUNTS

CM03 CONDENSER MOUNT



SPECIFICATIONS

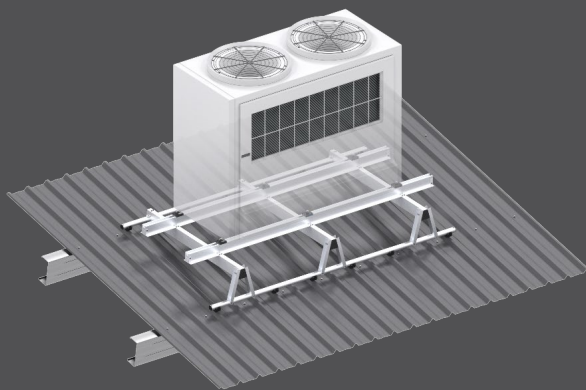
- Up to 300kg
- 600 & 2400mm purlin spacings
- Anti-vibration mounts included
- Provides an adjustable mounting area of up to 1200mm x 2400mm with a load rating of 300kg
- Fully engineered to AS/NZ 1170.0, 1170.1, 1170.2, 1170.4 & 1170.5
- Suitable for any roof profile up to 60mm in depth*
- Suitable for Wind Regions NZ1-4 and AU A, B & C

**Custom fixings for insulated roofs available on request*

CM03.12.1	1200mm purlins	Roof-mounted rating 300kg: adjustable upright 150mm long/0-6deg
CM03.12.3	1200mm purlins	Roof-mounted rating 300kg: adjustable upright 300mm long/0-13deg
CM03.12.6	1200mm purlins	Roof-mounted rating 300kg: adjustable upright 600mm long/0-28deg
CM03.18.1	1800mm purlins	Roof-mounted rating 300kg: adjustable upright 150mm long/0-4deg
CM03.18.3	1800mm purlins	Roof-mounted rating 300kg: adjustable upright 300mm long/0-9deg
CM03.18.6	1800mm purlins	Roof-mounted rating 300kg: adjustable upright 600mm long/0-18deg
CM03.24.1	2400mm purlins	Roof-mounted rating 300kg: adjustable upright 150mm long/0-3deg
CM03.24.3	2400mm purlins	Roof-mounted rating 300kg: adjustable upright 300mm long/0-6deg
CM03.24.6	2400mm purlins	Roof-mounted rating 300kg: adjustable upright 600mm long/0-13deg

MONKEYTOE MOUNTS

CM05 CONDENSER MOUNT



SPECIFICATIONS

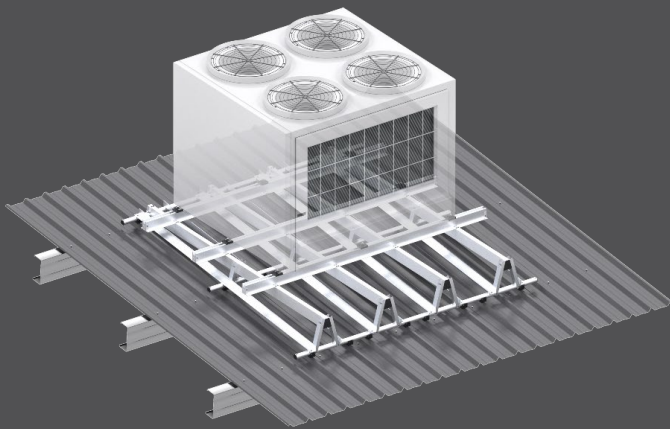
- Up to 500kg
- 1200 & 2400mm purlin spacings
- Anti-vibration mounts included
- Provides an adjustable mounting area of up to 2400mm x 2400mm with a load rating of 500kg
- Fully engineered to AS/NZ 1170.0, 1170.1, 1170.2, 1170.4 & 1170.5
- Suitable for any roof profile up to 60mm in depth*
- Suitable for Wind Regions NZ1-4 and AU A, B & C

**Custom fixings for insulated roofs available on request*

CM05.12.1	1200mm purlins	Roof-mounted rating 500kg: adjustable upright 150mm long/0-6deg
CM05.12.3	1200mm purlins	Roof-mounted rating 500kg: adjustable upright 300mm long/0-13deg
CM05.12.6	1200mm purlins	Roof-mounted rating 500kg: adjustable upright 600mm long/0-28deg
CM05.18.1	1800mm purlins	Roof-mounted rating 500kg: adjustable upright 150mm long/0-4deg
CM05.18.3	1800mm purlins	Roof-mounted rating 500kg: adjustable upright 300mm long/0-9deg
CM05.18.6	1800mm purlins	Roof-mounted rating 500kg: adjustable upright 600mm long/0-18deg
CM05.24.1	2400mm purlins	Roof-mounted rating 500kg: adjustable upright 150mm long/0-3deg
CM05.24.3	2400mm purlins	Roof-mounted rating 500kg: adjustable upright 300mm long/0-6deg
CM05.24.6	2400mm purlins	Roof-mounted rating 500kg: adjustable upright 600mm long/0-13deg

MONKEYTOE MOUNTS

CM10 CONDENSER MOUNT



SPECIFICATIONS

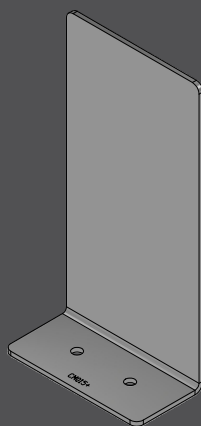
- Supports up to 1000kg
- 1200 & 1500mm purlin spacing (mount must span three purlins)
- Anti-vibration mounts included
- Provides an adjustable mounting area of 2400mm x 3000mm with a load rating of 1000kg
- Fully engineered to AS/NZ 1170.0, 1170.1, 1170.2, 1170.4 & 1170.5
- Suitable for any roof profile up to 60mm in depth*
- Suitable for Wind Regions NZ 1-4 and AU A, B & C

**Custom fixings for insulated roofs available on request*

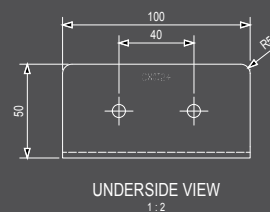
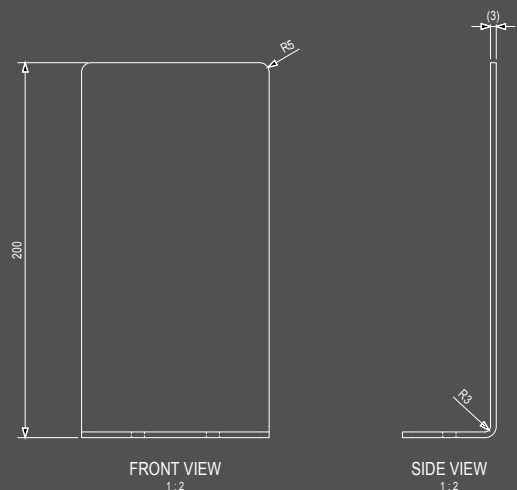
CM10.30.1	1200-1500mm purlins	Roof-mounted rating 1000kg: adjustable upright 150mm long/0-3deg
CM10.30.3	1200-1500mm purlins	Roof-mounted rating 1000kg: adjustable upright 300mm long/0-5deg
CM10.30.6	1200-1500mm purlins	Roof-mounted rating 1000kg: adjustable upright 600mm long/0-11deg

MONKEYTOE MOUNTS

CM015 ISOLATOR BOX FIXING BRACKET



MATERIAL: 3.00 mm 5052-H32 SHEET
 MASS: 0.20 kg
 (REFER: CM015+ - Isolator Box Fixing Bracket.stp)

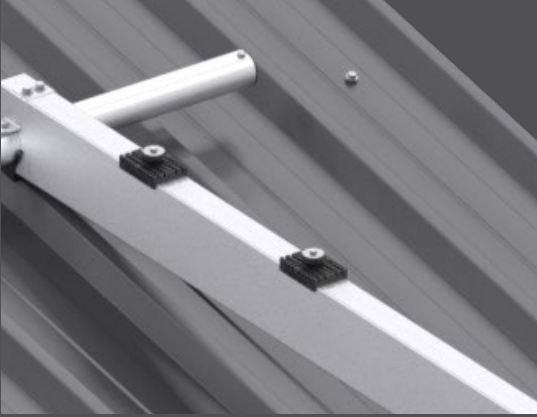


Material: 3.00mm 5052-H32 Aluminium sheet

Mass: 0.02kg

MONKEYTOE

CONDENSER MOUNT COMPONENTS



ANTI-VIBRATION MOUNTS

- Full galvanic isolation.
- Up to 50% reduction in vibration.
- Removes unwanted noise transfer for small vibrations such as inverter condensers.
- UV stable long-lasting TPE.

MONKEYTOE

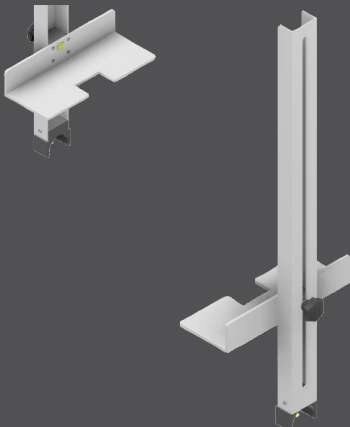
CONDENSER MOUNT FIXING KIT

- Fixings: Dacromat coated stainless steel TEK screws
- UV Stabilised TPE Rubber Anti Vibration Mounts - 50%

CM004.M1.160	Unit Fixing Kit (4 points) for 65kg - 160kg Units for 52mmW extrusion
CM004.M1.350	Unit Fixing Kit (4 points) for 185kg - 350kg Units for 52mmW extrusion
CM004.M2.100	Unit Fixing Kit (4 points) 65-100kg Units for PM30,31 on CM01 & CM02 mounts
CM004.M2.180	Unit Fixing Kit (4 points) for 165kg - 180kg Units for PM30,31 on CM03 mounts

MONKEYTOE

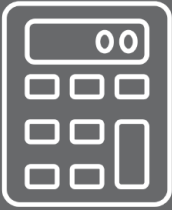
CONDENSER MOUNT INSTALL TOOL



- Install Tool to aid in on-site assembly of Condenser Mounts
- Designed for on-going usage
- Simple, easy to use

Scan me for install tool video



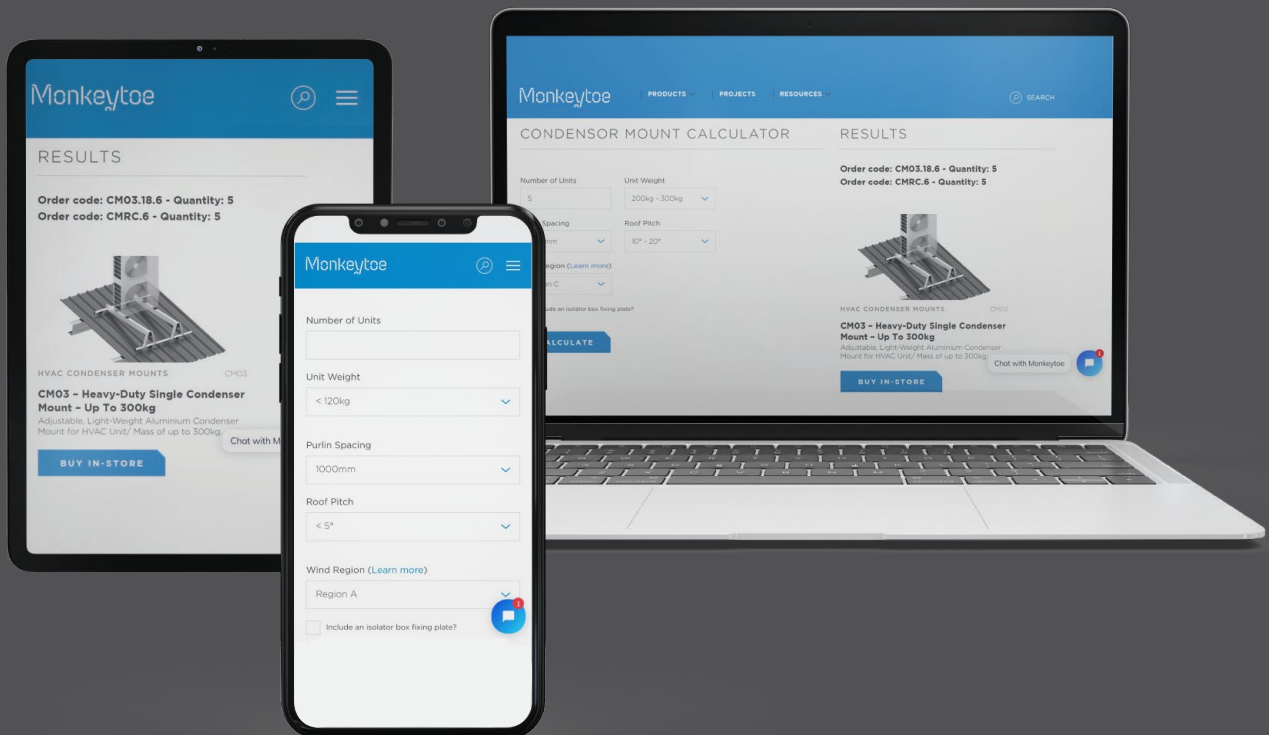


CONDENSER MOUNT

MONKEYTOE CALCULATOR TOOL

Our handy online Calculator tool assists in finding the right solution for your mounting needs. Simply input your requirements and it will calculate the correct condenser mount kit for your application, it's that easy!

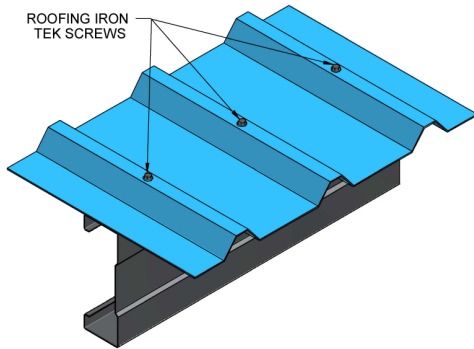
You can then contact your nearest stockist or email sales@monkeytoegroup.com with the product code/s to order and/or request a quotation.



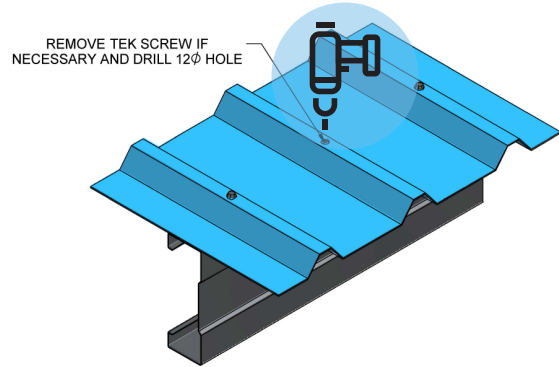
CONDENSER MOUNT CALCULATOR TOOL

Scan me to use our tool

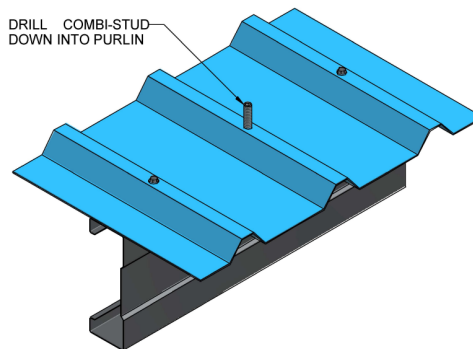
RC02 TOP FIX INSTALLATION PROCEDURE



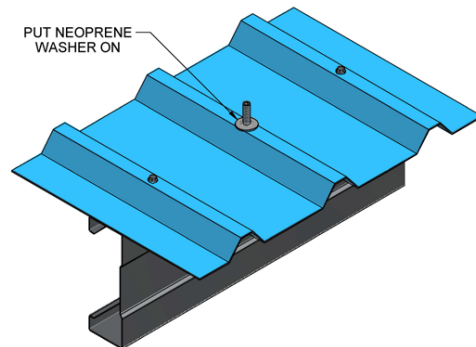
Step 1: Locate roof purlins, often indicated by a line of roofing screws.



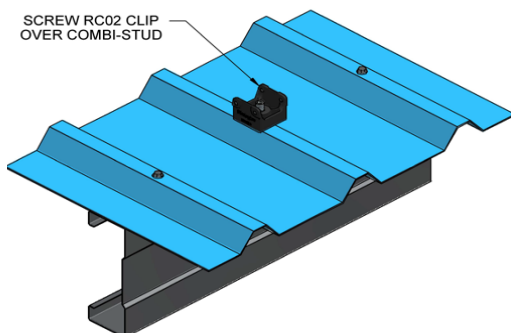
Step 2: Remove existing roofing screws where Condenser Mount fixings are required. Re-drill hole/s in roof sheeting using a 12mm diameter drill bit to widen the hole to accommodate the combistud. (if hidden fixed type roof profile, feel out purlins and drill 12mm holes on top of the roofing ridge/s)



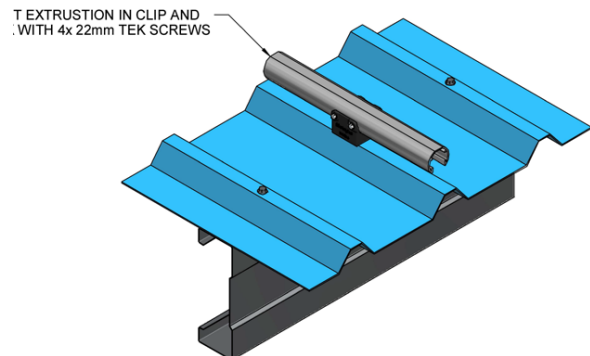
Step 3: Locate the supplied MKT combi-stud and driver bit, secure into purlin ensuring combistud is square to the roofing profile. This will help ensure a weather tight seal.



Step 4: Locate the supplied neoprene washer and place on the combi-stud.



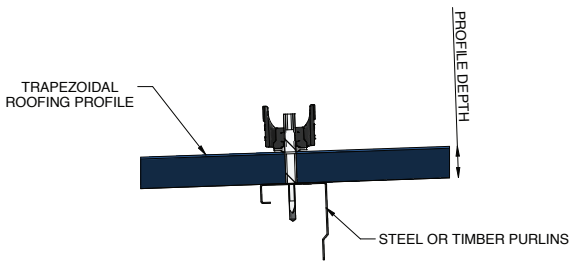
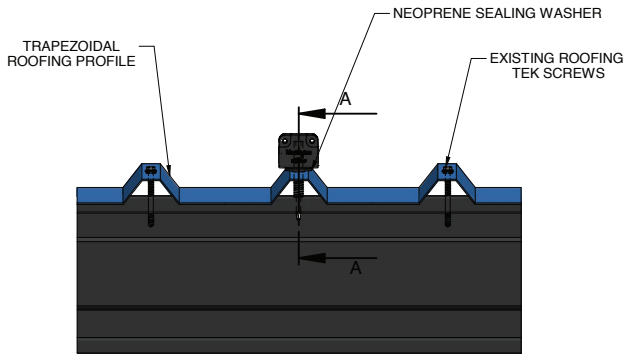
Step 5: Wind on and hand tighten the supplied polyethylene roofing clip until the sealing washer has compressed flat.



Step 6: Once installed, the extrusion simply sits in the clip and tek screw in place.

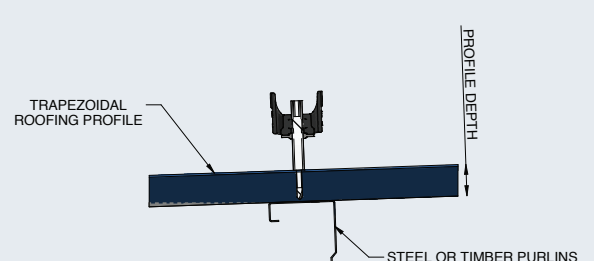
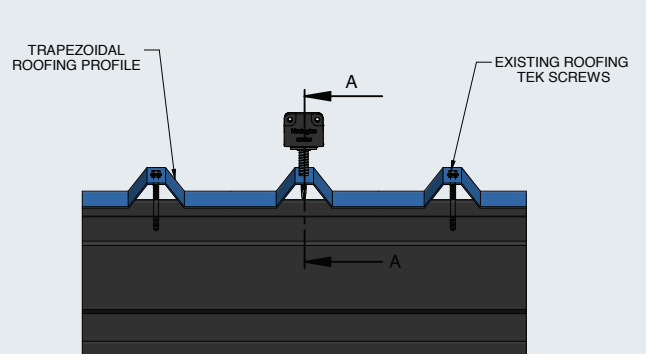
CORRECT & INCORRECT INSTALLATION

✓ CORRECT INSTALLATION



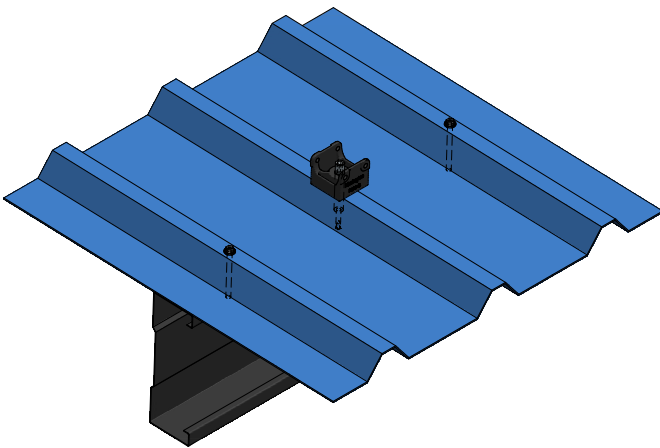
SECTION A-A

✗ INCORRECT INSTALLATION

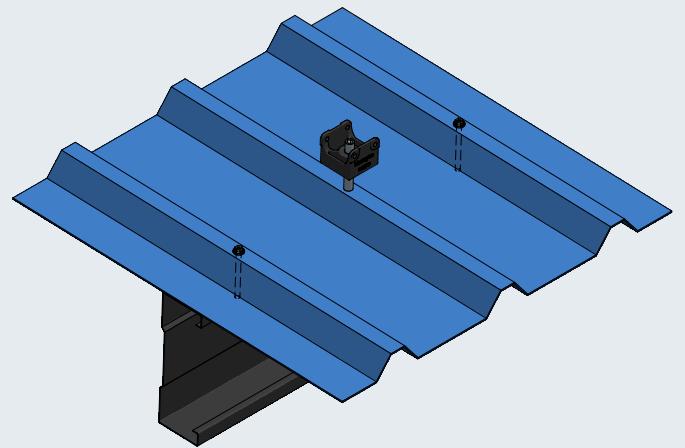


SECTION A-A

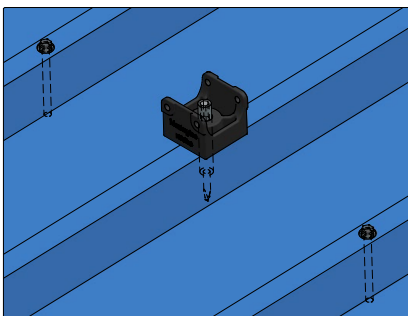
✓ CORRECT INSTALLATION



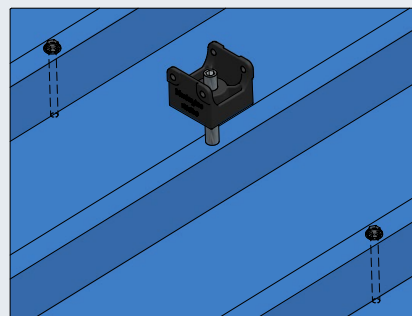
✗ INCORRECT INSTALLATION

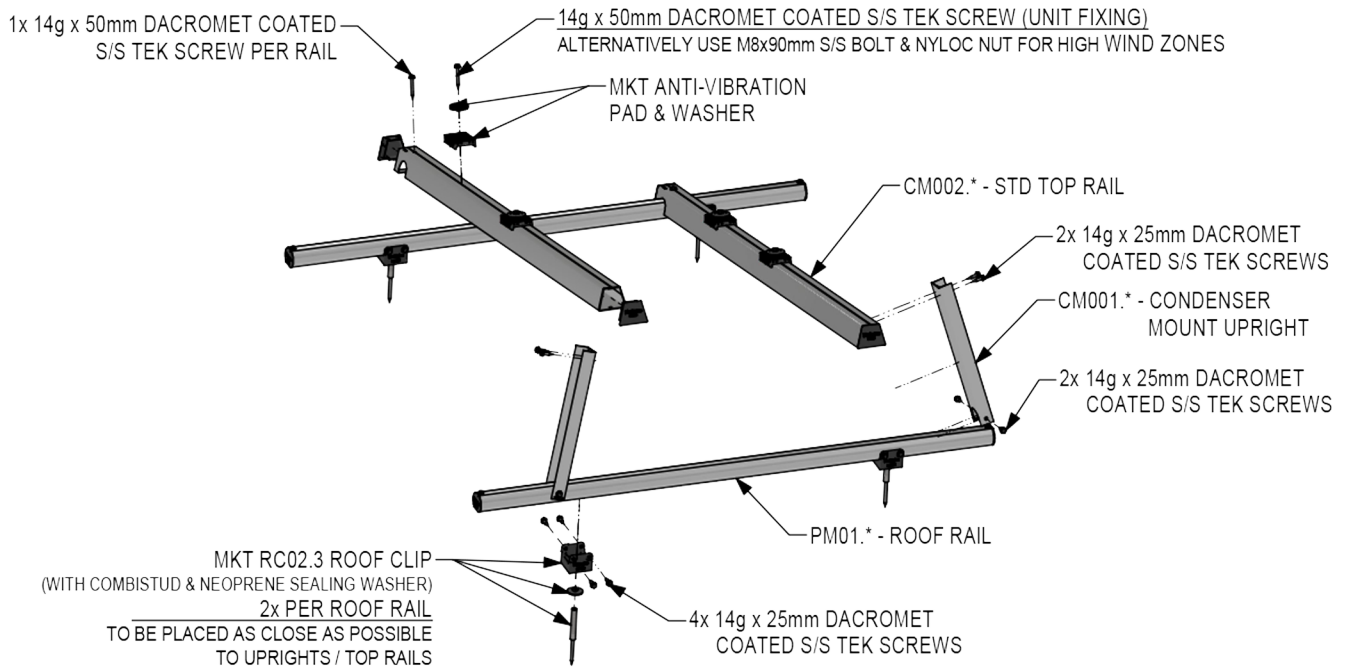


✓ CORRECT INSTALLATION

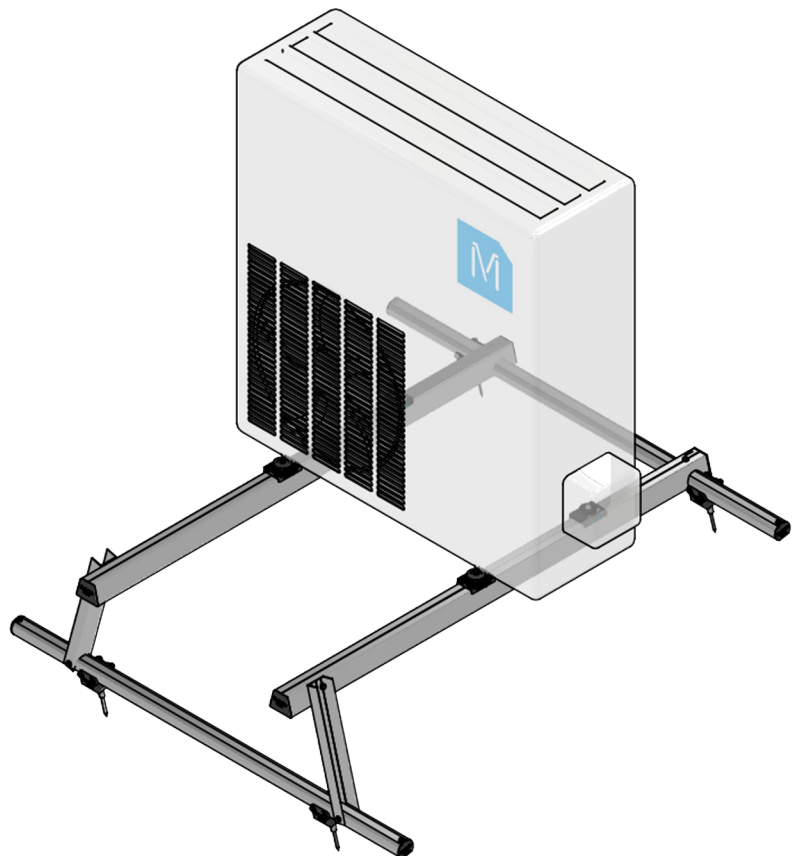


✗ INCORRECT INSTALLATION





PART EXPLODED VIEW



120kg TOP FIX CONDENSER MOUNT		
MONKEYTOE GROUP		
DWG No: CM01-NZ-1		03/05/2022
	SHEET 1 OF 1	A3
	SCALE: NTS	REV:1
DO NOT SCALE	DIMENSIONS IN MILLIMETERS	

Monkeytoe

EVERYTHING BETTER

NEW ZEALAND AUSTRALIA

0800 658 637 - www.monkeytoe.co.nz | 1800 953 047 www.monkeytoe.com.au

CONFIGURATIONS		
CODE	MAX. PURLIN SPACING	MAX. ROOF PITCH
CM01.12.1	1200mm	6°
CM01.12.3		13°
CM01.12.6		28°
CM01.18.1	1800mm	4°
CM01.18.3		9°
CM01.18.6		18°
CM01.24.1	2400mm	3°
CM01.24.3		6°
CM01.24.6		13°

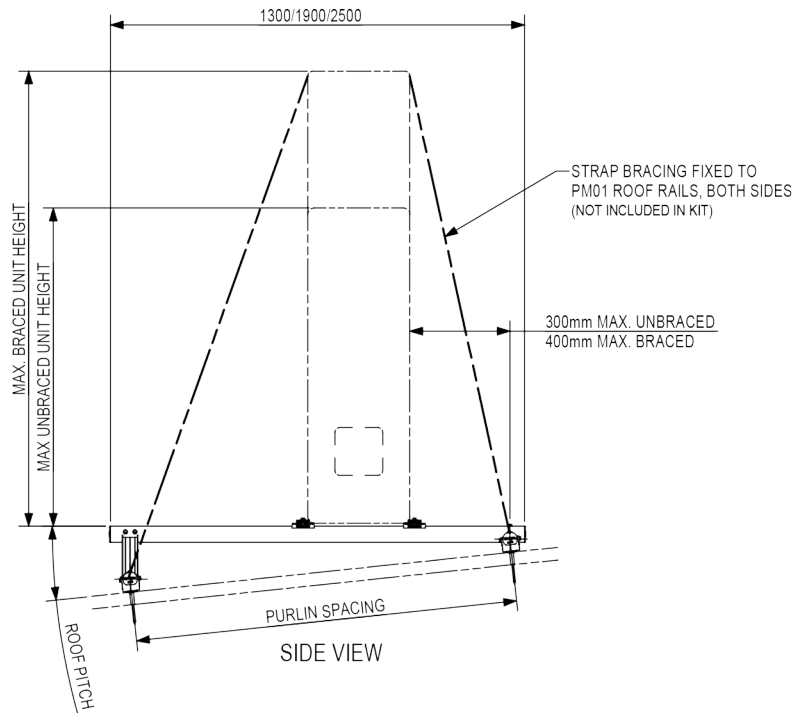
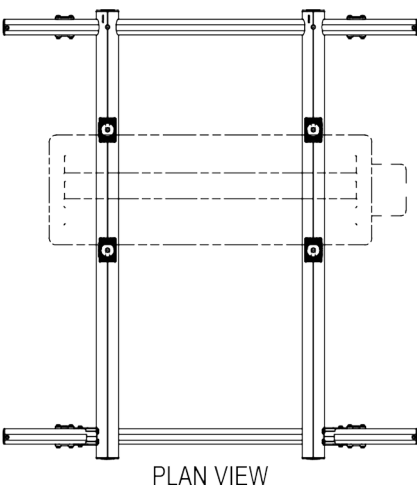
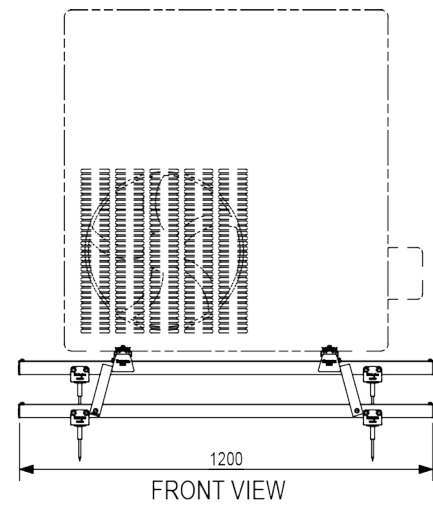
WIND REGIONS NZ1 & NZ2:

MAX. UNBRACED UNIT HEIGHT = 1250mm*
 MAX. BRACED UNIT HEIGHT = 1430mm

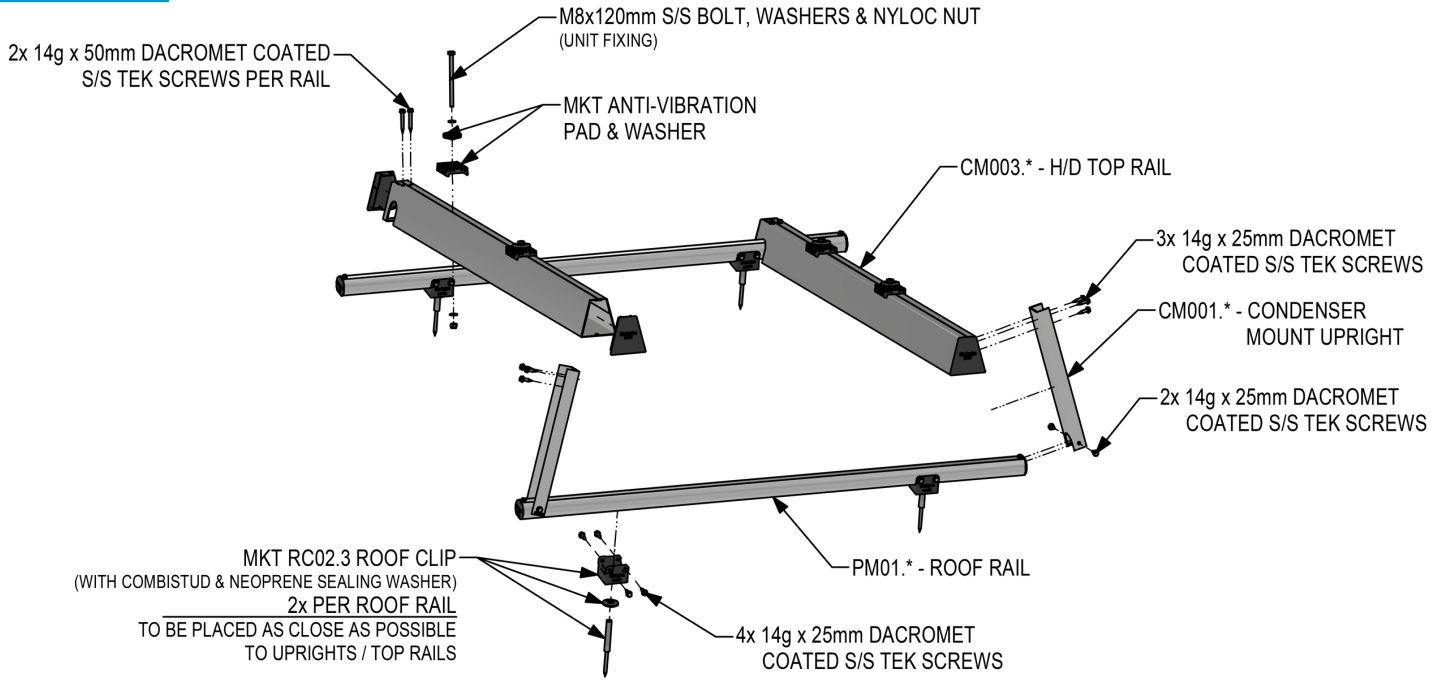
WIND REGIONS NZ3 & NZ4:

MAX. UNBRACED UNIT HEIGHT = 1000mm*
 (ALL PURLIN SPACINGS)
 MAX. BRACED UNIT HEIGHT = 1430mm
 (1200mm PURLIN SPACING)
 MAX. BRACED UNIT HEIGHT = 1350mm
 (1800mm PURLIN SPACING)
 MAX. BRACED UNIT HEIGHT = 1300mm
 (2400mm PURLIN SPACING)

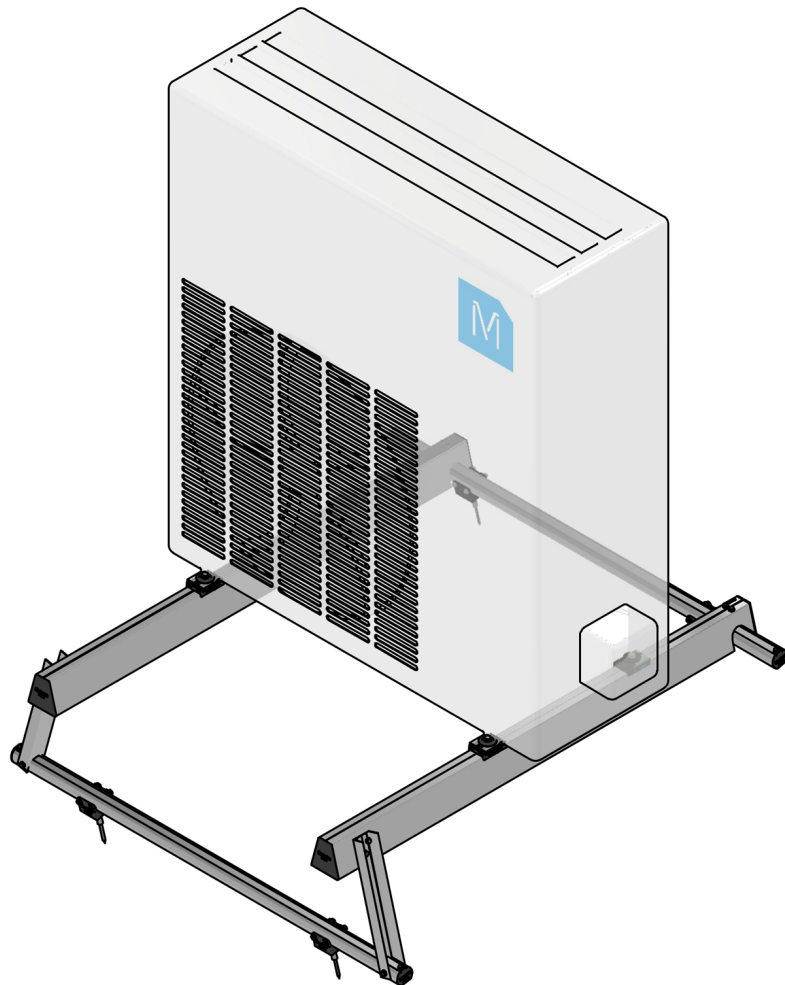
* REFER TO UNIT MANUFACTURERS BRACING REQUIREMENTS FOR UNITS LESS THAN SPECIFIED HEIGHT.



DESIGN CRITERIA:
 IMPORTANCE LEVEL = 2
 SOIL CLASS = C (Worst Case)
 SEISMIC HAZARD FACTOR (Z) ≤ 0.42
 HORIZONTAL SEISMIC ACCELERATION ≤ 2.2G
 WIND REGIONS: NZ1 - 4
 WIND EXPOSURE: UP TO 30m ABOVE GROUND



PART EXPLODED VIEW



Monkeytoe

EVERYTHING BETTER

NEW ZEALAND AUSTRALIA

0800 658 637 - www.monkeytoe.co.nz | 1800 953 047 www.monkeytoe.com.au

200kg TOP FIX CONDENSER MOUNT		
MONKEYTOE GROUP		
DWG No: CM02-CSS-1	19/05/2022	
	SHEET 1 OF 1	A3
DO NOT SCALE	SCALE: NTS	REV:1
DIMENSIONS IN MILLIMETERS		

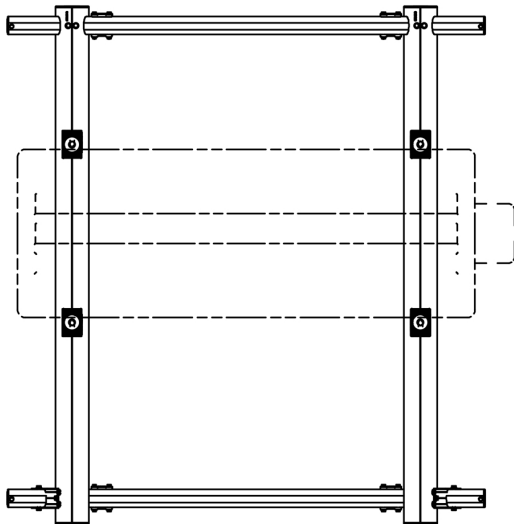
CONFIGURATIONS		
CODE	MAX. PURLIN SPACING	MAX. ROOF PITCH
CM02.12.1	1200mm	6°
CM02.12.3		13°
CM02.12.6		28°
CM02.18.1	1800mm	4°
CM02.18.3		9°
CM02.18.6		18°
CM02.24.1	2400mm	3°
CM02.24.3		6°
CM02.24.6		13°

FOR SPLIT STYLE UNITS ONLY
NOT SUITABLE FOR VRF UNITS

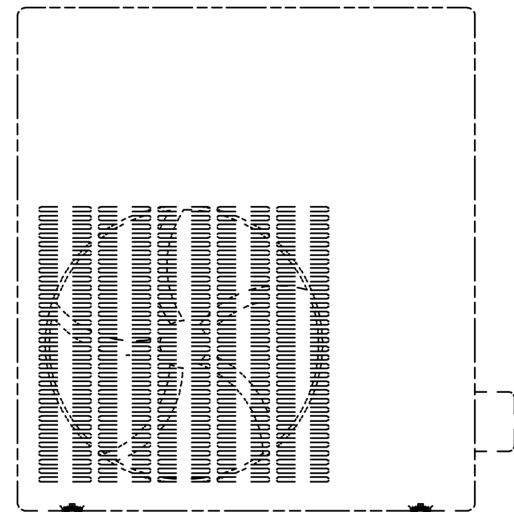
WIND REGIONS NZ1-NZ4, AU A0-A5 & B1-B2:

MAX. UNBRACED UNIT HEIGHT = 1400mm*
 MAX. BRACED UNIT HEIGHT = 1600mm @ 1000mm WIDE
 MAX. UNIT WIDTH = 1350mm @ 1400mm TALL

* REFER TO UNIT MANUFACTURERS BRACING REQUIREMENTS FOR UNITS LESS THAN SPECIFIED HEIGHT.

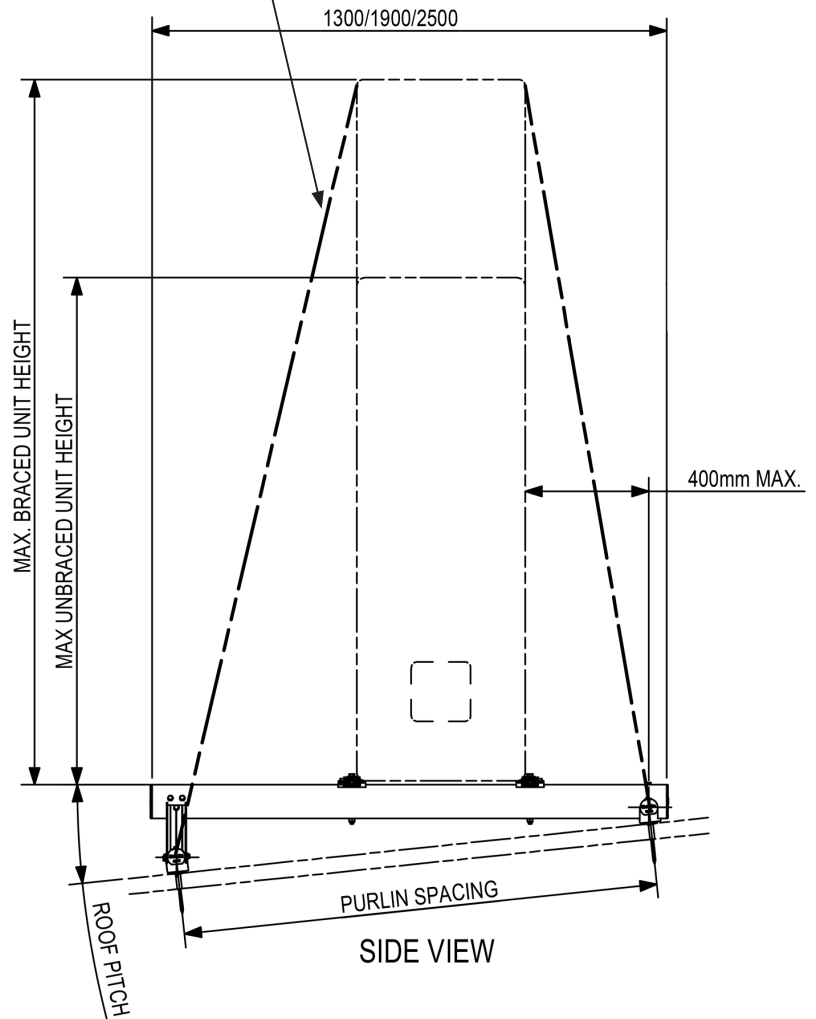


PLAN VIEW



FRONT VIEW

STRAP BRACING FIXED TO PM01 ROOF RAILS, BOTH SIDES (NOT INCLUDED IN KIT)

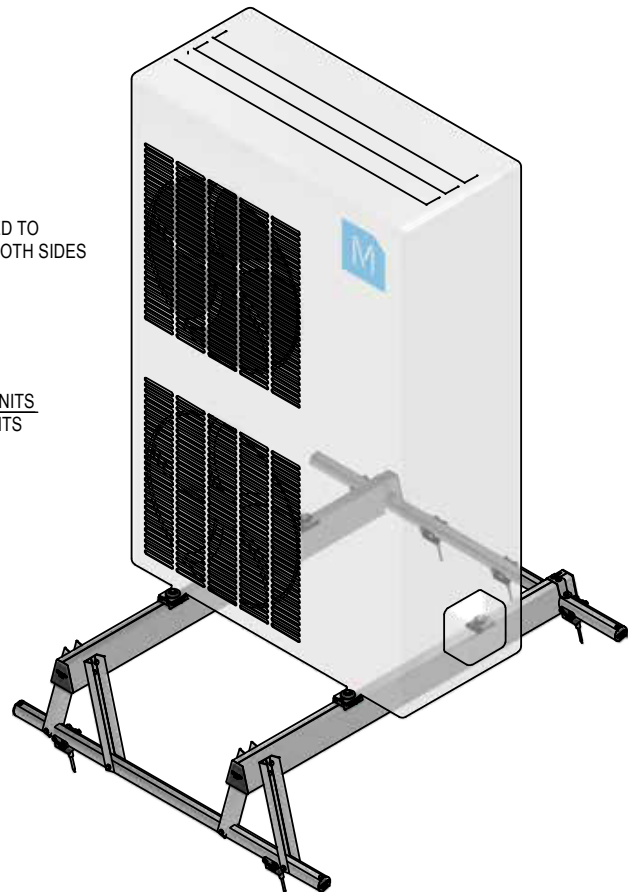
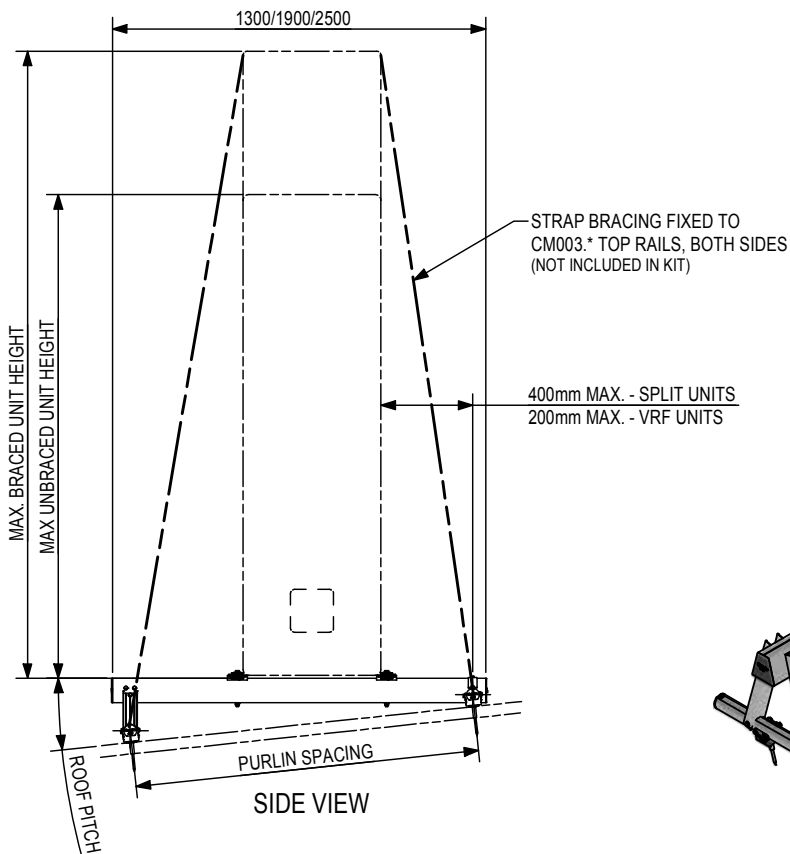
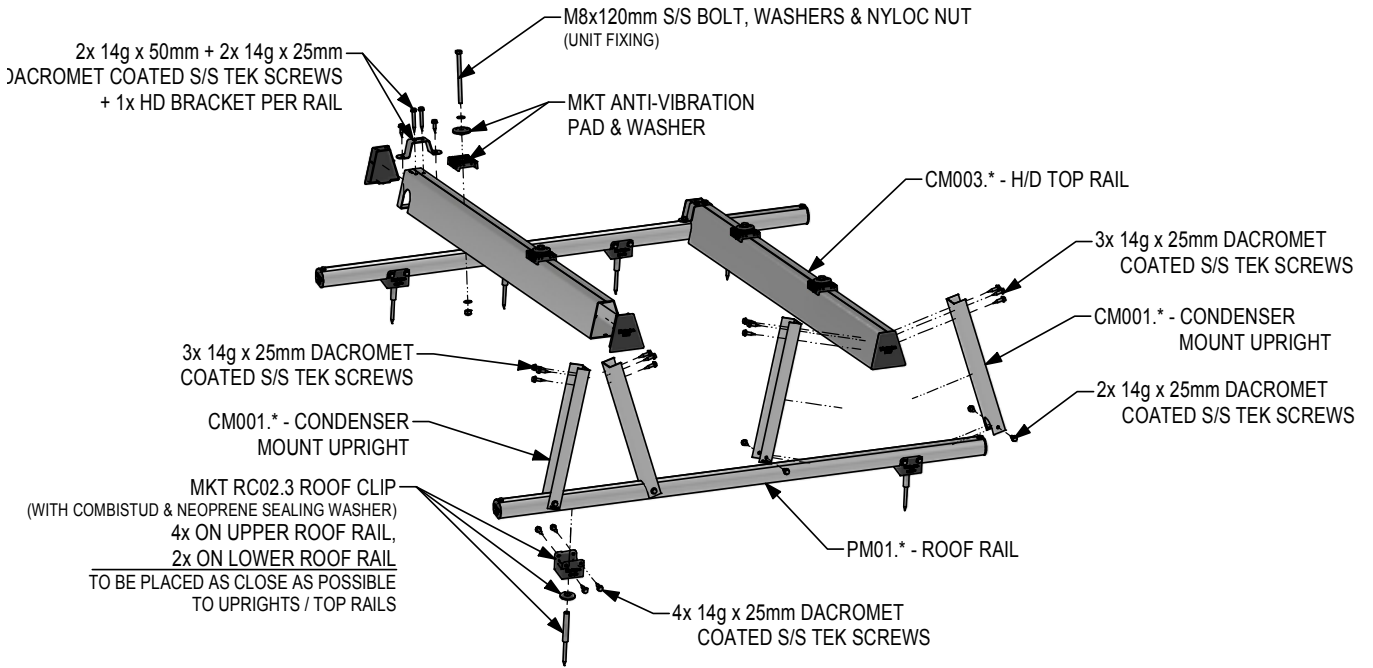


DESIGN CRITERIA: NEW ZEALAND

IMPORTANCE LEVEL = 2
 SOIL CLASS = C (Worst Case)
 SEISMIC HAZARD FACTOR (Z) ≤ 0.42
 HORIZONTAL SEISMIC ACCELERATION ≤ 2.2g
 WIND REGIONS: NZ1-4
 WIND EXPOSURE: UP TO 30m ABOVE GROUND

DESIGN CRITERIA: AUSTRALIA

IMPORTANCE LEVEL = 2
 SOIL CLASS = C (Worst Case)
 SEISMIC HAZARD FACTOR (Z) ≤ 0.15
 HORIZONTAL SEISMIC ACCELERATION ≤ 0.5g
 WIND REGIONS: A & B
 WIND EXPOSURE: UP TO 30m ABOVE GROUND
 NOT SUITABLE FOR WIND REGION C



300kg TOP FIX CONDENSER MOUNT		
MONKEYTOE GROUP		
DWG No: CM03-CSS-1	19/05/2022	
	SHEET 1 OF 1	A3
DO NOT SCALE	SCALE: NTS	REV:1
DIMENSIONS IN MILLIMETERS		

CONFIGURATIONS		
CODE	MAX. PURLIN SPACING	MAX. ROOF PITCH
CM03.12.1	1200mm	6°
CM03.12.3		13°
CM03.12.6		28°
CM03.18.1	1800mm	4°
CM03.18.3		9°
CM03.18.6		18°
CM03.24.1	2400mm	3°
CM03.24.3		6°
CM03.24.6		13°

WIND REGIONS NZ1-NZ4 & AU A0-A5:

SPLIT STYLE UNITS:

- MAX. UNBRACED UNIT HEIGHT = 1400mm*
- MAX. BRACED UNIT HEIGHT = 1700mm @ 1100mm WIDE
- MAX. UNIT WIDTH = 1400mm @ 1500mm TALL
- MAX. UNIT WIDTH = 1900mm @ 1350mm TALL

VRF UNITS:

SUITABLE FOR VRF UNITS ON 1200 & 1800mm PURLIN SPACINGS ONLY. BRACING REQUIRED FOR ALL VRF UNITS ON 1800mm PURLINS.

- MAX. UNIT HEIGHT = 1850mm*
- MAX. UNIT WIDTH = 1210mm
- MAX. UNIT DEPTH = 1000mm

WIND REGIONS AU B1 & B2:

SPLIT STYLE UNITS:

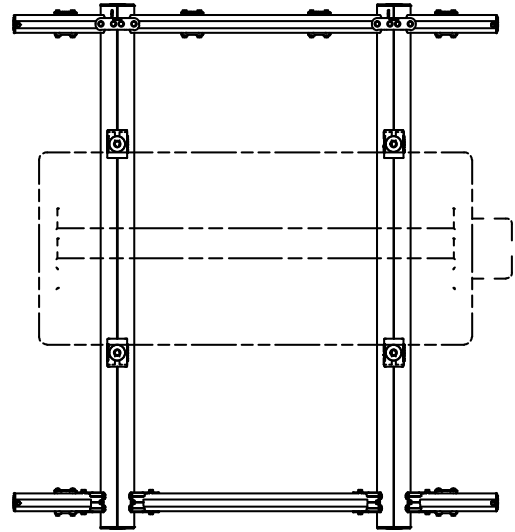
- MAX. UNBRACED UNIT HEIGHT = 1400mm*
- MAX. BRACED UNIT HEIGHT = 1700mm @ 1100mm WIDE
- MAX. UNIT WIDTH = 1400mm @ 1400mm TALL
- MAX. UNIT WIDTH = 1700mm @ 1200mm TALL

VRF UNITS:

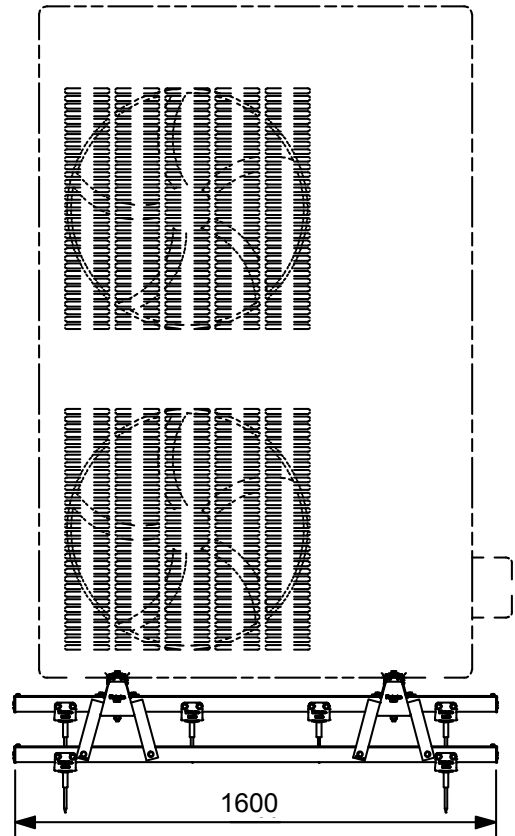
SUITABLE FOR VRF UNITS ON 1200 & 1800mm PURLIN SPACINGS ONLY. BRACING REQUIRED FOR ALL VRF UNITS ON 1800mm PURLINS.

- MAX. UNIT HEIGHT = 1850mm*
- MAX. UNIT WIDTH = 1000mm
- MAX. UNIT DEPTH = 1000mm

* REFER TO UNIT MANUFACTURERS BRACING REQUIREMENTS FOR UNITS LESS THAN SPECIFIED HEIGHT.



PLAN VIEW



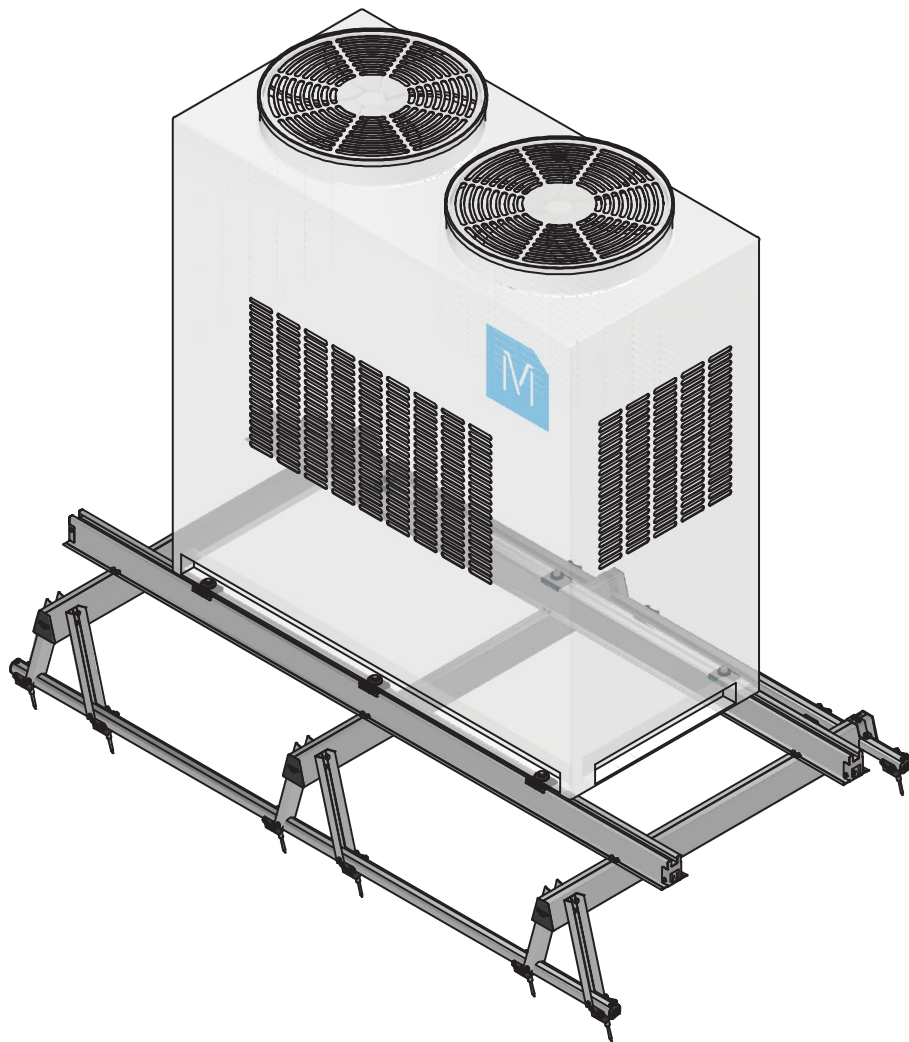
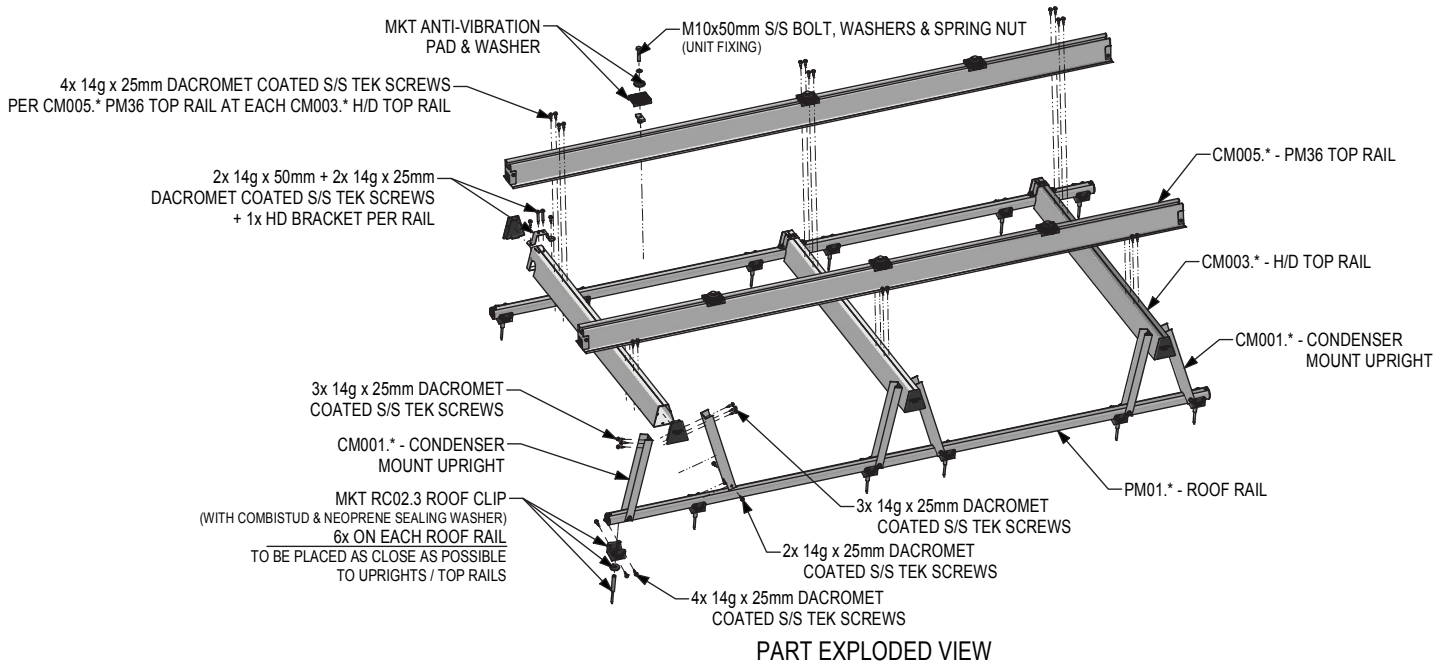
FRONT VIEW

DESIGN CRITERIA: NEW ZEALAND

IMPORTANCE LEVEL = 2
 SOIL CLASS = C (Worst Case)
 SEISMIC HAZARD FACTOR (Z) ≤ 0.42
 HORIZONTAL SEISMIC ACCELERATION ≤ 2.2g
 WIND REGIONS: NZ1 - 4
 WIND EXPOSURE: UP TO 30m ABOVE GROUND

DESIGN CRITERIA: AUSTRALIA

IMPORTANCE LEVEL = 2
 SOIL CLASS = C (Worst Case)
 SEISMIC HAZARD FACTOR (Z) ≤ 0.15
 HORIZONTAL SEISMIC ACCELERATION ≤ 0.5g
 WIND REGIONS: A & B
 WIND EXPOSURE: UP TO 30m ABOVE GROUND
 SEE WIND REGION C DRAWINGS FOR SPECIFIC DESIGN CRITERIA



NOTE:
FOR 2400mm PURLINS A 4th CM003.25 H/D TOP RAIL AND PAIR OF CM001.* UPRIGHTS ARE REQUIRED.

Monkeytoe

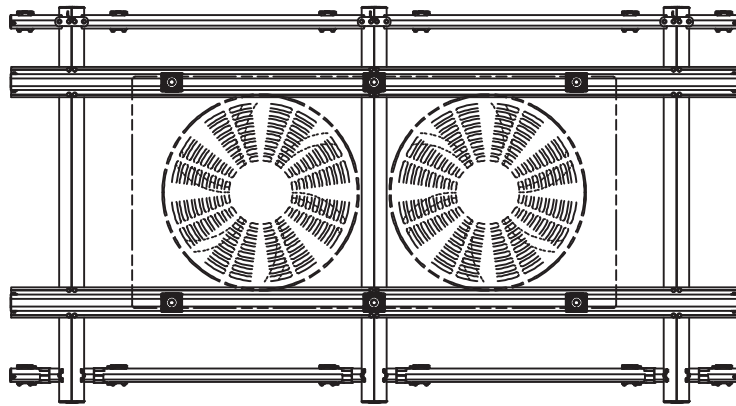
EVERYTHING BETTER

NEW ZEALAND AUSTRALIA

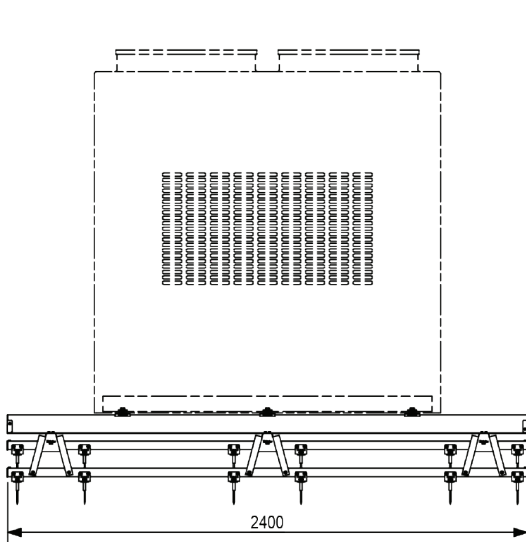
0800 658 637 - www.monkeytoe.co.nz | 1800 953 047 www.monkeytoe.com.au

500kg TOP FIX CONDENSER MOUNT		
MONKEYTOE GROUP		
DWG No: CM05-CSS-1	19/05/2022	
	SHEET 1 OF 1	A3
	SCALE: NTS	REV:1
DO NOT SCALE	DIMENSIONS IN MILLIMETERS	

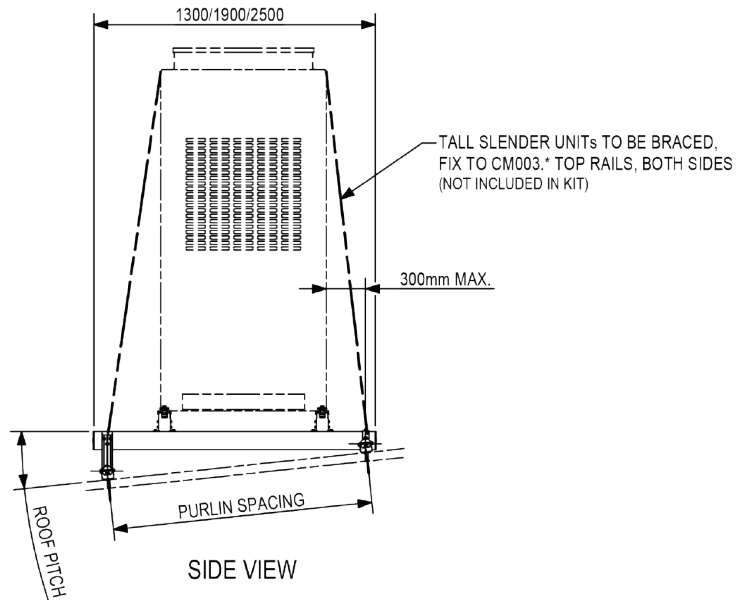
CONFIGURATIONS		
CODE	MAX. PURLIN SPACING	MAX. ROOF PITCH
CM05.12.1	1200mm	6°
CM05.12.3		13°
CM05.12.6		28°
CM05.18.1	1800mm	4°
CM05.18.3		9°
CM05.18.6		18°
CM05.24.1	2400mm	3°
CM05.24.3		6°
CM05.24.6		13°



PLAN VIEW



FRONT VIEW



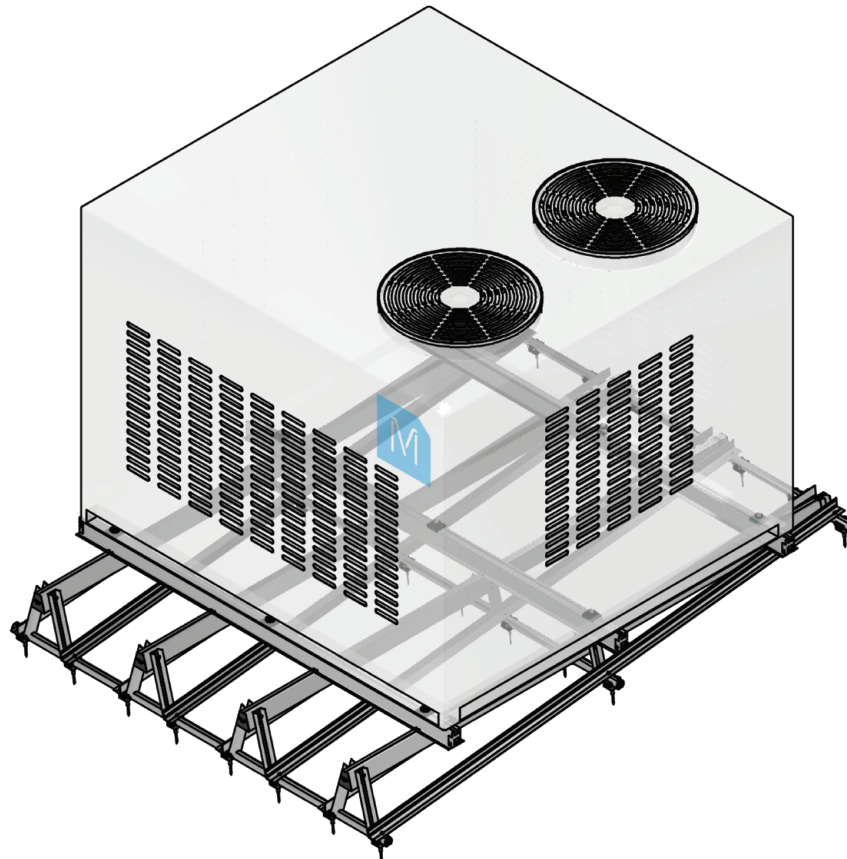
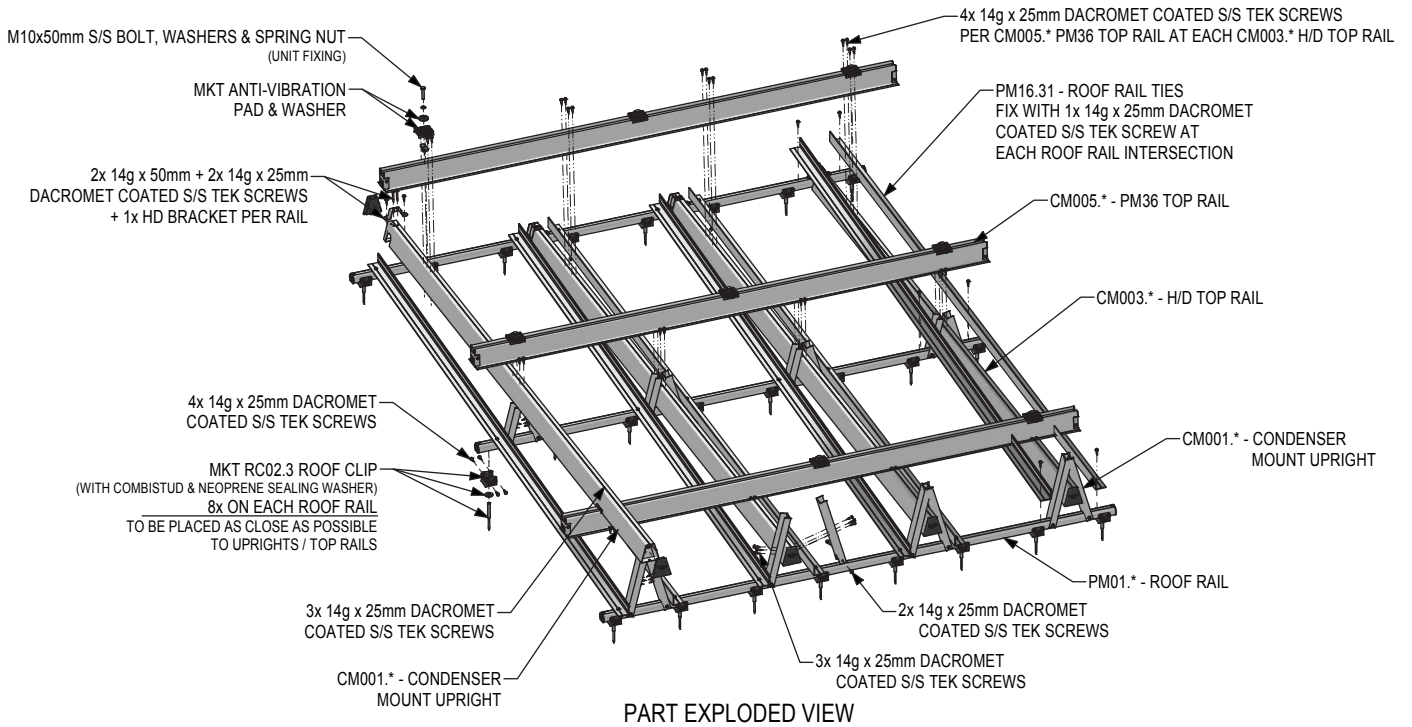
SIDE VIEW

DESIGN CRITERIA: NEW ZEALAND

IMPORTANCE LEVEL = 2
 SOIL CLASS = C (Worst Case)
 SEISMIC HAZARD FACTOR (Z) ≤ 0.42
 HORIZONTAL SEISMIC ACCELERATION ≤ 2.2G
 WIND REGIONS: NZ1 - 4
 WIND EXPOSURE: UP TO 30m ABOVE GROUND

DESIGN CRITERIA: AUSTRALIA

IMPORTANCE LEVEL = 2
 SOIL CLASS = C (Worst Case)
 SEISMIC HAZARD FACTOR (Z) ≤ 0.15
 HORIZONTAL SEISMIC ACCELERATION ≤ 0.5G
 WIND REGIONS: A & B
 WIND EXPOSURE: UP TO 30m ABOVE GROUND
 SEE WIND REGION C DRAWINGS FOR SPECIFIC DESIGN CRITERIA



Monkeytoe

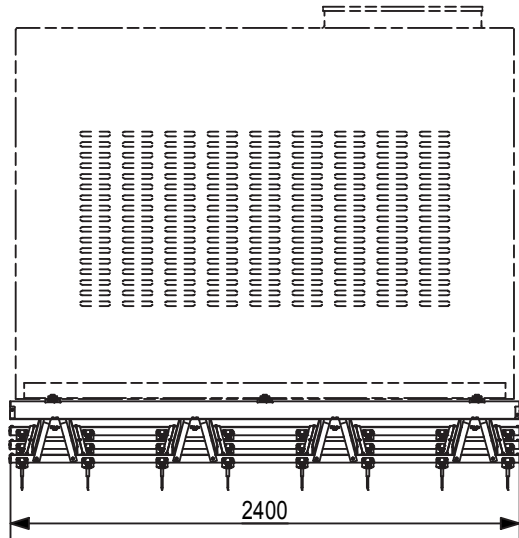
EVERYTHING BETTER

NEW ZEALAND AUSTRALIA

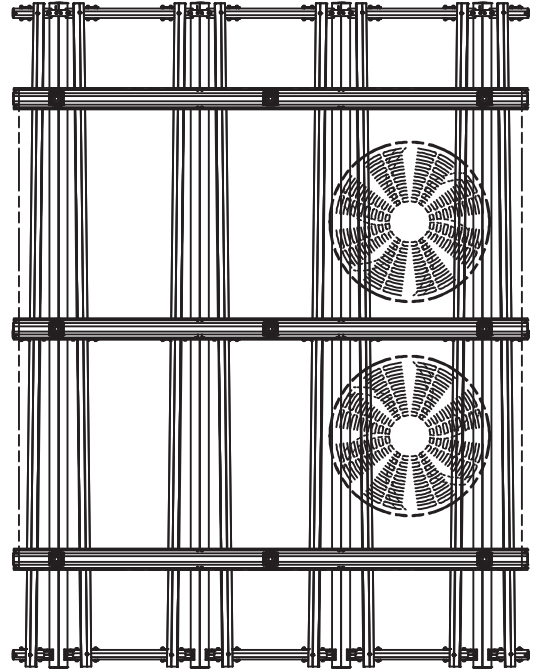
0800 658 637 - www.monkeytoe.co.nz | 1800 953 047 www.monkeytoe.com.au

1000kg TOP FIX CONDENSER MOUNT			
MONKEYTOE GROUP			
DWG No: CM10-CSS-1		19/05/2022	
SHEET 1 OF 1		A3	
SCALE: NTS		REV:1	
DO NOT SCALE		DIMENSIONS IN MILLIMETERS	

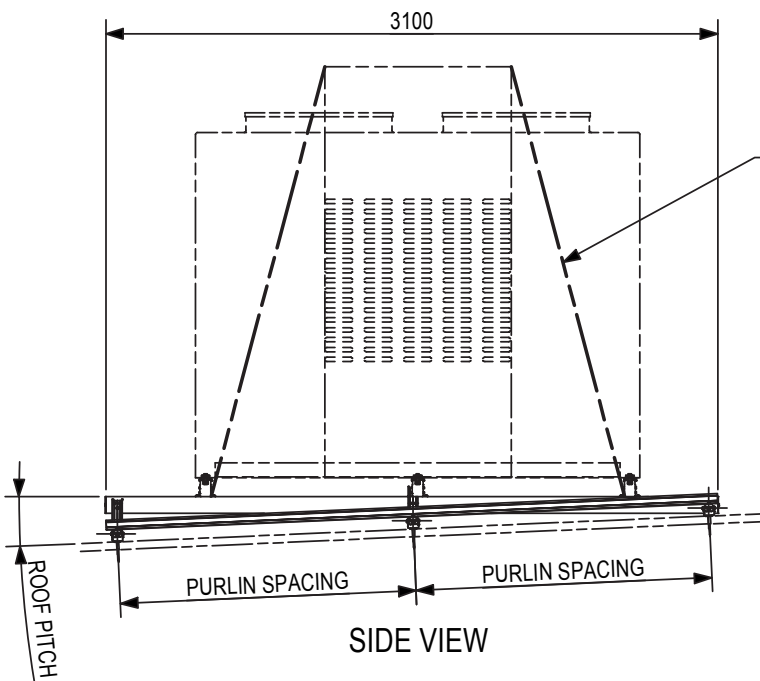
CONFIGURATIONS		
CODE	MAX. PURLIN SPACING	MAX. ROOF PITCH
CM10.30.1	1200mm	3°
	1500mm	2.5°
CM10.30.3	1200mm	6°
	1500mm	5°
CM10.30.6	1200mm	13°
	1500mm	11°



FRONT VIEW



PLAN VIEW



SIDE VIEW

DESIGN CRITERIA: NEW ZEALAND

IMPORTANCE LEVEL = 2
 SOIL CLASS = C (Worst Case)
 SEISMIC HAZARD FACTOR (Z) ≤ 0.42
 HORIZONTAL SEISMIC ACCELERATION ≤ 2.2G
 WIND REGIONS: NZ1-4
 WIND EXPOSURE: UP TO 30m ABOVE GROUND

DESIGN CRITERIA: AUSTRALIA

IMPORTANCE LEVEL = 2
 SOIL CLASS = C (Worst Case)
 SEISMIC HAZARD FACTOR (Z) ≤ 0.15
 HORIZONTAL SEISMIC ACCELERATION ≤ 0.5G
 WIND REGIONS: A & B
 WIND EXPOSURE: UP TO 30m ABOVE GROUND
 SEE WIND REGION C DRAWINGS FOR SPECIFIC DESIGN CRITERIA

MONKEYTOE

CONDENSER WALL MOUNTS

High Tensile, Marine Grade T6 Aluminium Wall Mount Brackets in 2 standard options, 100kg set & 200kg set.



CW100.500	100kg Wall Mount Bracket Set w. 500mm Rail
CW200.600	200kg Wall Mount Bracket Set w. 600mm Rail
CM004.FK	Condenser wall mount fixing kit

TYPICAL USES / APPLICATIONS

- High tensile marine grade aluminium mounting solutions for condensers.
- Ideally suited as a support for a series of Condenser units.
- Supports for Fans and flues and other light weight equipment.
- Supports for cable trays, pipes and other services.

CHARACTERISTICS / ADVANTAGES

- Quality Heavy Duty Extrusions.
- Mount up to 200kg with standard products.
- Off the shelf items.
- Cost effective
- High tensile marine grade aluminium.
- Strong, lightweight and robust - T6 aluminium construction.
- Low maintenance and neat appearance.
- Easy installation with M10 spring studs.
- Strong, lightweight and robust.

TECHNICAL DATA / MATERIALS

LOADING CAPACITY

- Light Weight Mount - up to 100kg.
 - Heavy Duty Mount - up to 200kg
- Extrusions: varies between sites Connections.

TESTS

APPROVALS / STANDARDS

- Structures design action B1.
- AS/NZS 1170 Standards Australia / New Zealand.
- Aluminium Structures, Part 1: Limit State Design AS/NZS 1664.1 Standards Australia / New Zealand NZS/AS 1657.

WARRANTY

- 25 Year Warranty

MAINTENANCE

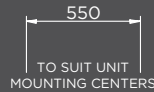
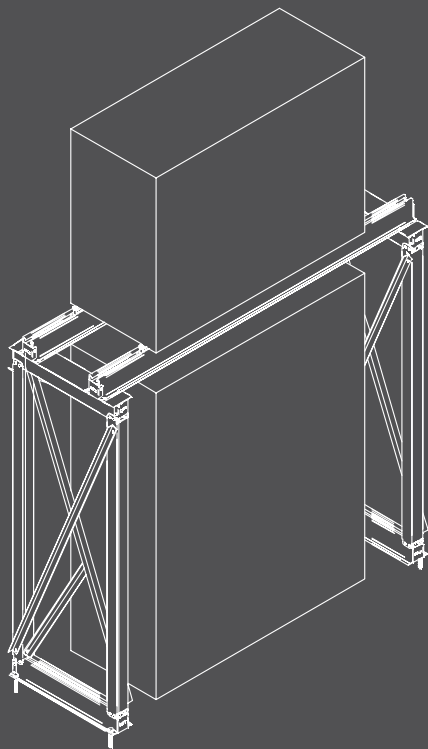
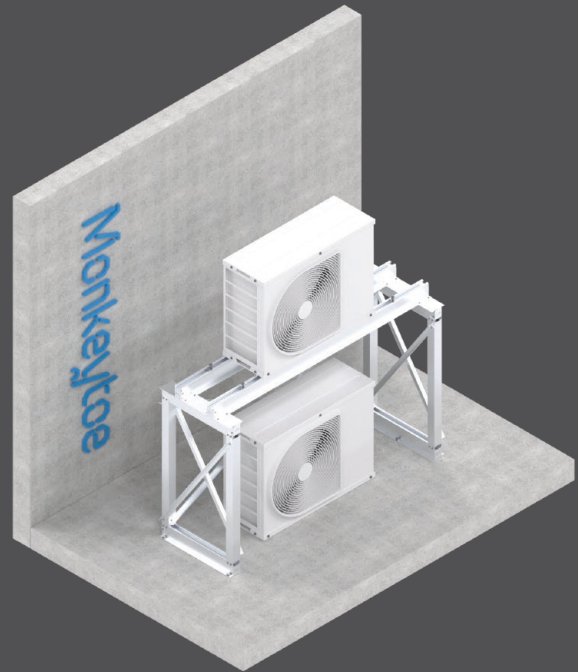
- Visual inspection for any damage or loose fixings must be done periodically to use.
- No certified maintenance required.
- Basic wear and tear preventative maintenance is recommended, as per manufacturer's specifications and recommendations.

MONKEYTOE UNIT STACKER MOUNTS

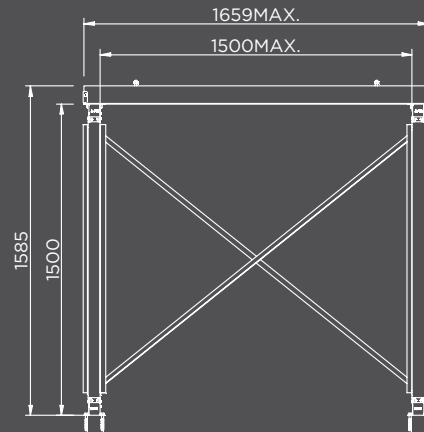
Adjustable aluminium mounting system for stacking HVAC units/packs.

UNIT STACKER

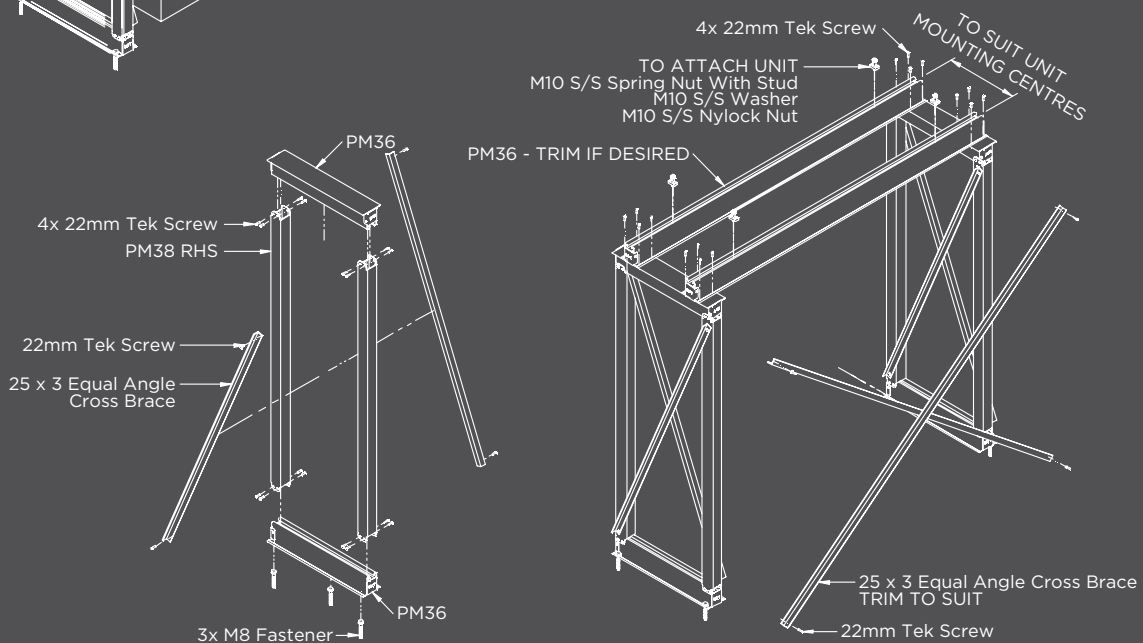
CS025.10	1000mm high adjustable unit stacker
CS025.15	1500mm high adjustable unit stacker



SIDE ELEVATION



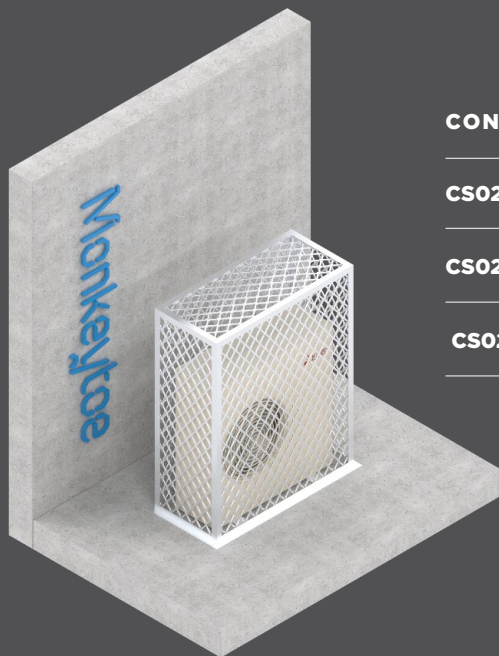
FRONT ELEVATION



MONKEYTOE

CONDENSER SECURITY COVER

Protection/security cover for any HVAC unit.



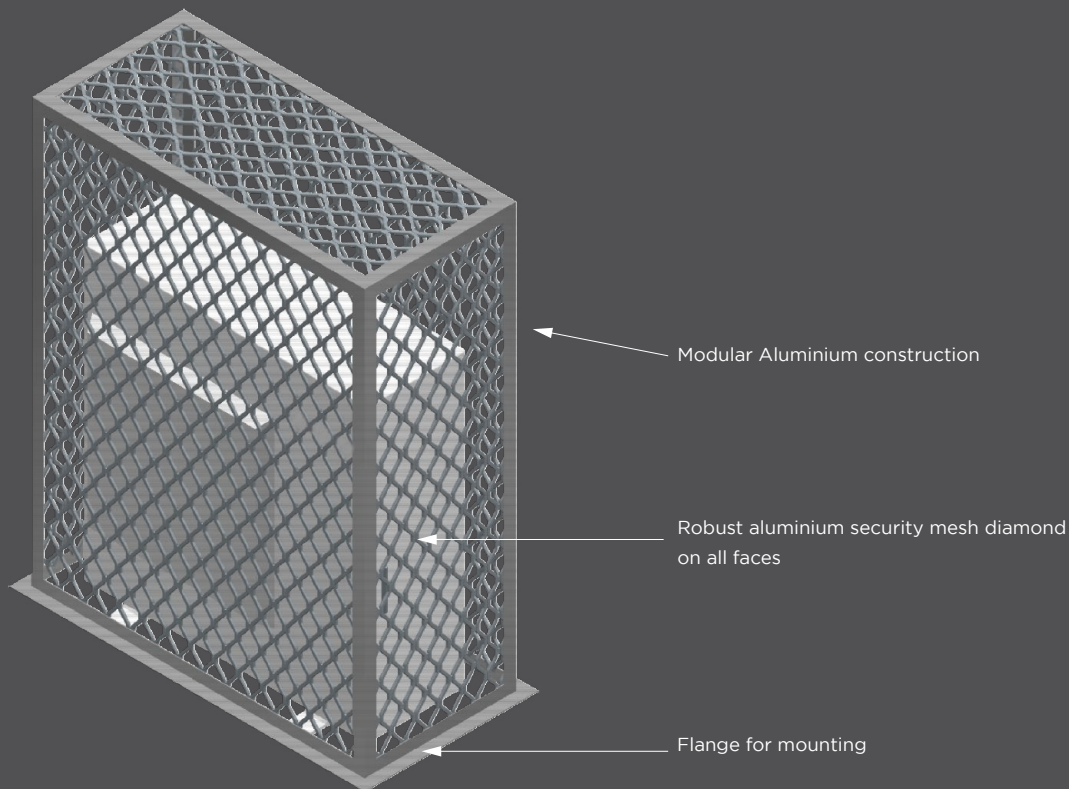
CONDENSER SECURITY COVERS

CS024.1 - Small Security cover
700H x 1100 w x 500D

CS024.2 - Medium Security cover
1200H x 1200W x 600D

CS024.3 - Large Security cover
1550H x 1200W x 600D

CONDENSER SECURITY COVERS

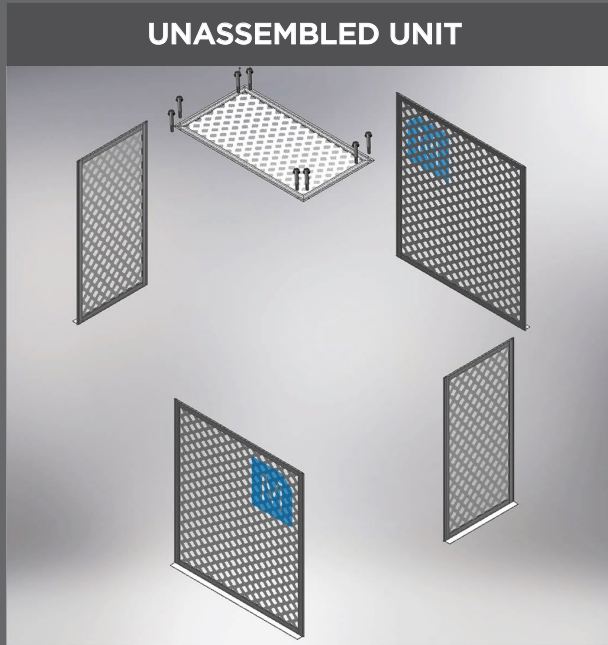


All components marine grade aluminium

MONKEYTOE

CONDENSER SECURITY COVER INSTALL GUIDE

Protection/security cover for any HVAC unit.



INSTALL STEPS:

1. Remove inserts with punch or screwdriver
2. Start with long side panel one
3. Slide short side panel one into long side panel one
4. Slide long side panel two into short side panel one
5. Slide short side panel two into long side panels one and two
6. Fit top panel into side panels
7. Fit 8 x provided self tapping screws into corners
8. Fix to ground as required

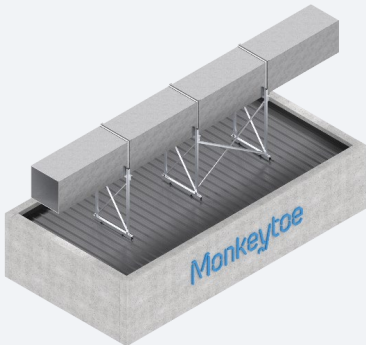


CONDENSER SECURITY COVER INSTALL

Scan me for installation video

MONKEYTOE

DUCT SUPPORTS



An adjustable roof mounting system that supports any type of ducting, pipework or fans, across roofs or up walls.

The Monkeytoe duct support system is ideally suited as a support structure for ducting, but can also serve as a support structure for other purposes. A perfect support solution for fans, flues, pipework, and other lightweight equipment, or support for cable trays, pipes and other services.



For more information visit www.monkeytoe.co.nz/product/general-mounting/duct-supports

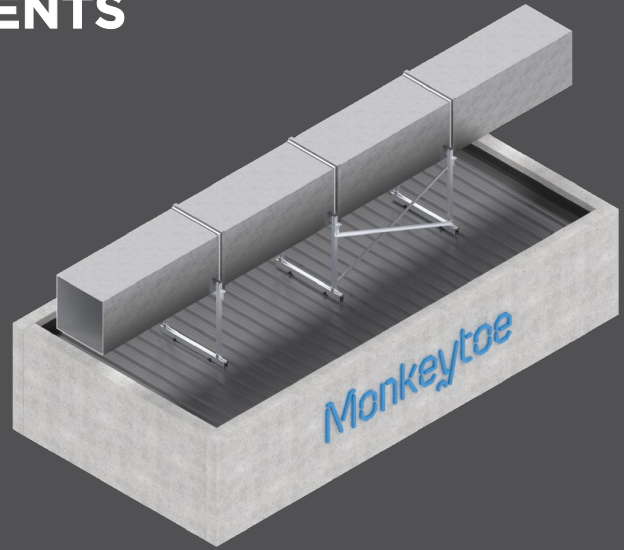
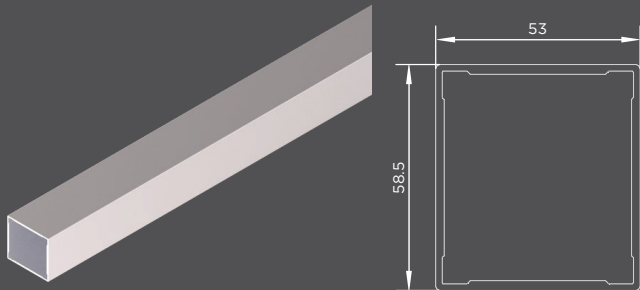
Duct supports

THE KEY BENEFITS

- Kit-set componentry for easy on-site assembly
- Lightweight, high strength T6 aluminium components
- Engineered Design
- Low maintenance
- Neat appearance
- Suitable for all steel and membrane roof profile designs
- Roof angle adjustment can be achieved from 0°- 15°

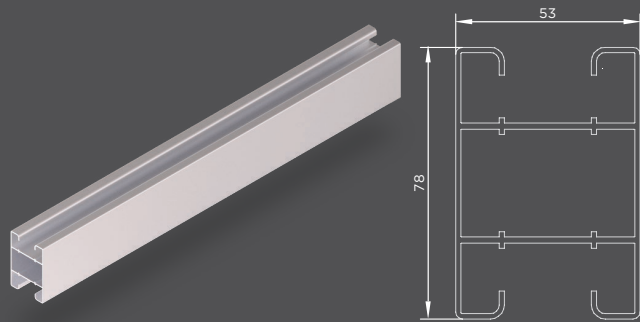


MONKEYTOE DUCT SUPPORT COMPONENTS



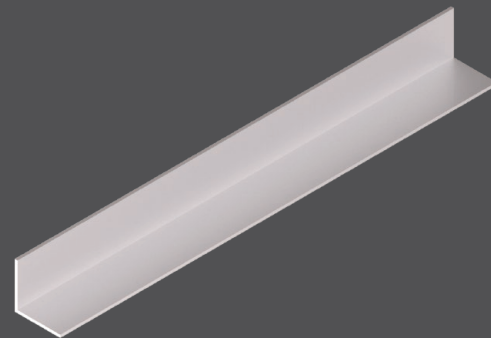
VERTICAL SUPPORT

- DS104.11+** Vertical support - PM38 1100mm long
- DS104.15+** Vertical support - PM38 1500mm long
- DS104.20+** Vertical support - PM38 2000mm long



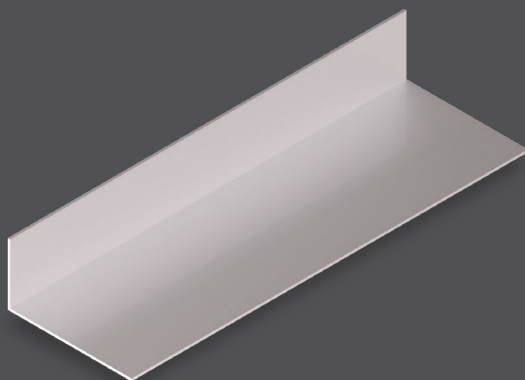
ROOF RAIL

- PM06** Roof rail - 75x53mm extrusion



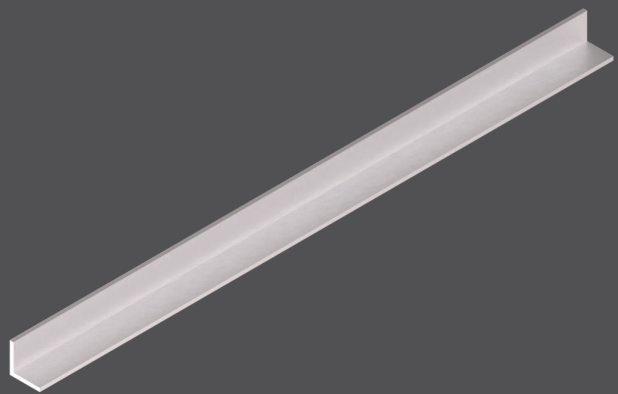
BAY BRACE

- PA050.050.03** Bay brace - 50x50x3 angle



150MM SUPPORT RAIL

- PA150.075.03** Support rail - 150x75x3mm angle

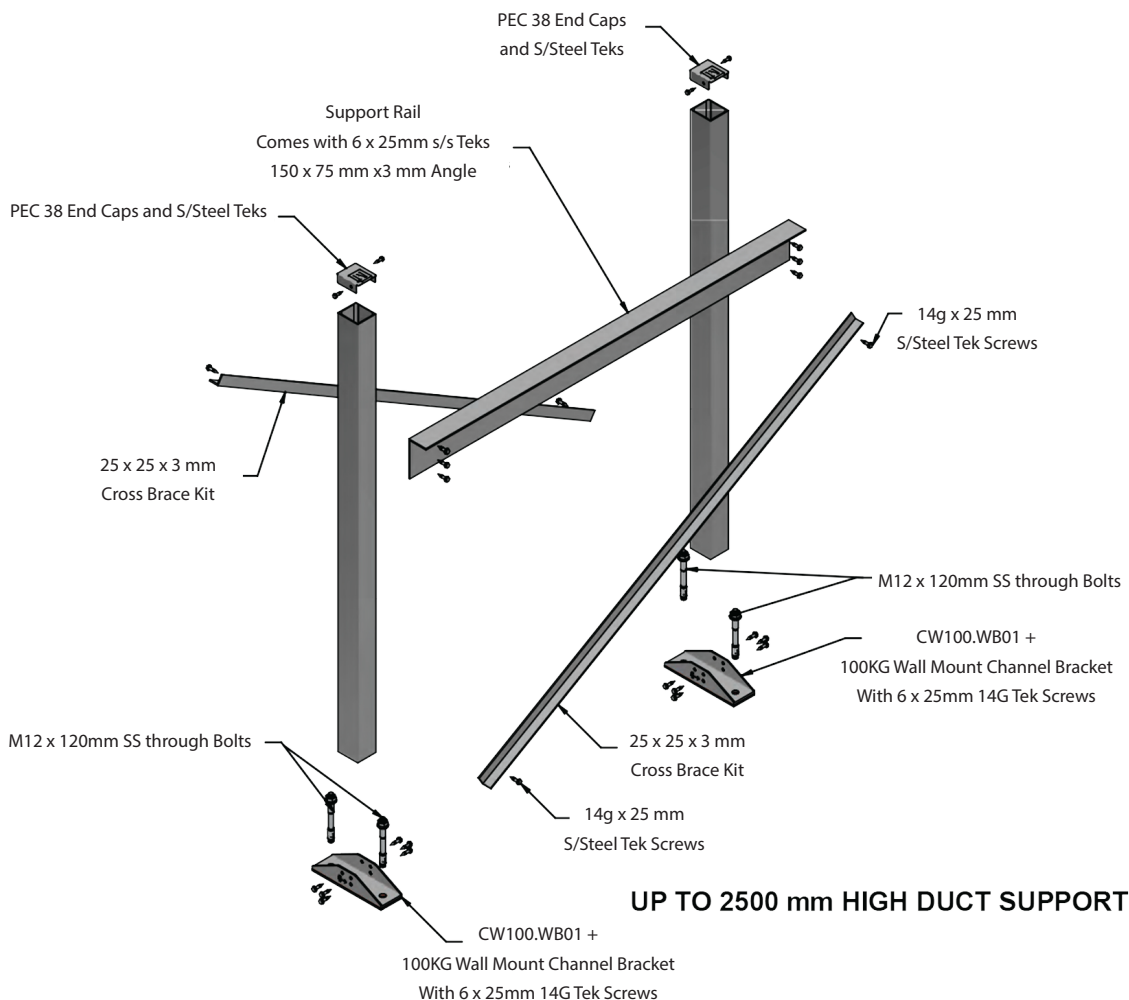


CROSS BRACE

- PA25.025.03.2** Cross Brace - 25x25x2mm angle

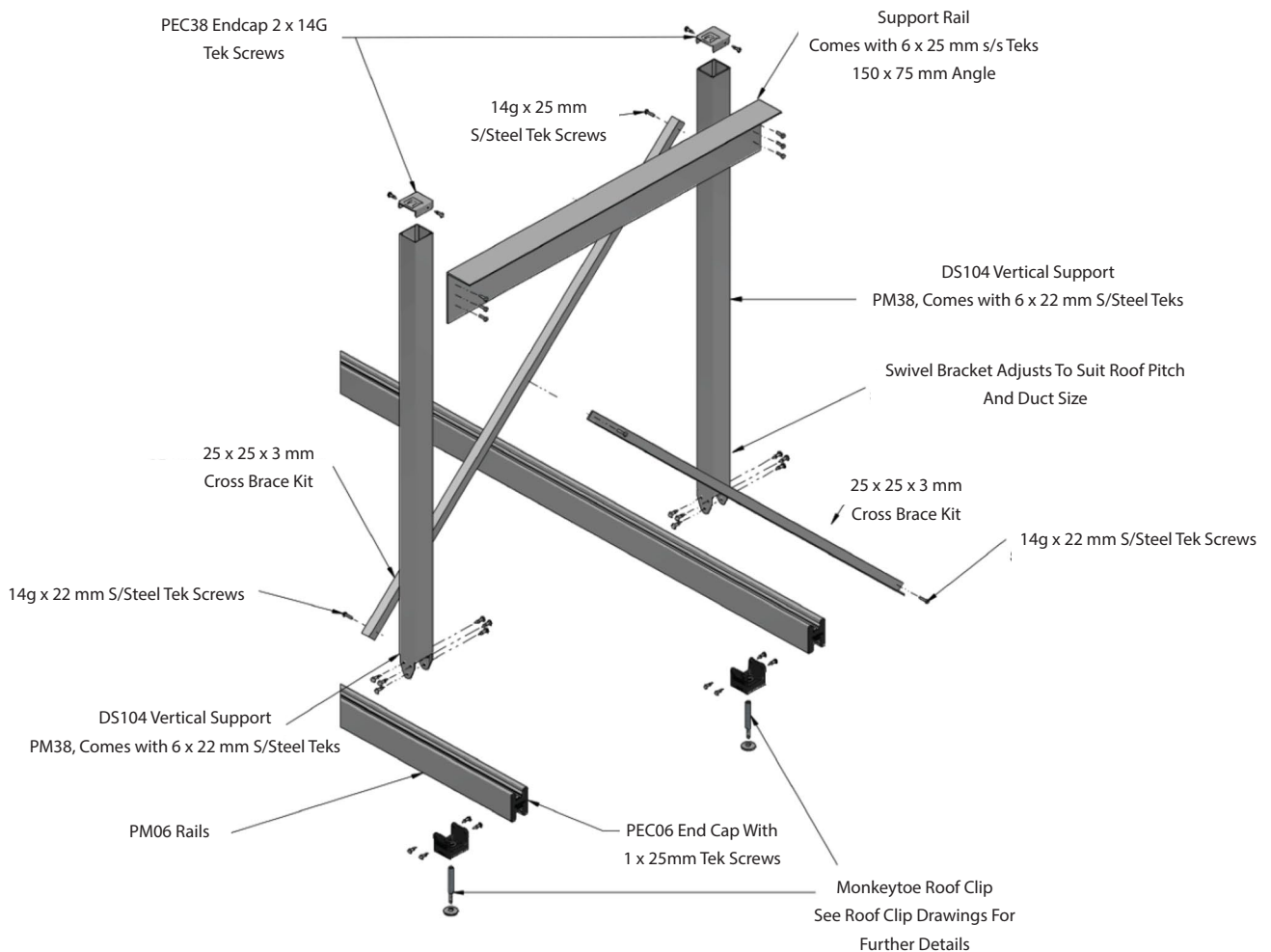
GROUND MOUNTED DUCT SUPPORTS

- 1) Fix base connection brackets down to the ground/plinths using fixings provided. These brackets need to be spaced to suit the duct width with 20mm clearance on each side. Spacing between these connections to be max 2m (refer to span tables for clarification).
- 2) Cut PM38 Vertical posts to length (max slope of 6 degrees). Then fix posts into the base connection brackets using the 3 x tek screws per side of post. The posts must be installed vertical.
- 3) Cut the 150x75x3 Unequal Angle to the length to suit the outer measurement of vertical posts. Using 3 x tek screws per post fix the horizontal ducting support angle onto the post at the required height (refer to span tables for clarification. Max 2m above base mounting level).
- 4) Every support frame must be braced using the 25x3 Equal Angle bracing. Fix bracing to the vertical posts as shown using the 1 x 25mm tek screw per connection. (NOTE: Bracing must be as close to top & bottom of the posts as possible).
- 5) Max 2m spacing between support frames (Refer to span tables for clarification).
- 6) Using the 50 x 3 equal Angle to brace between every second set (2 frames per set) of support frames. Use 2 x tek screws per connection to fix angle onto the vertical posts.



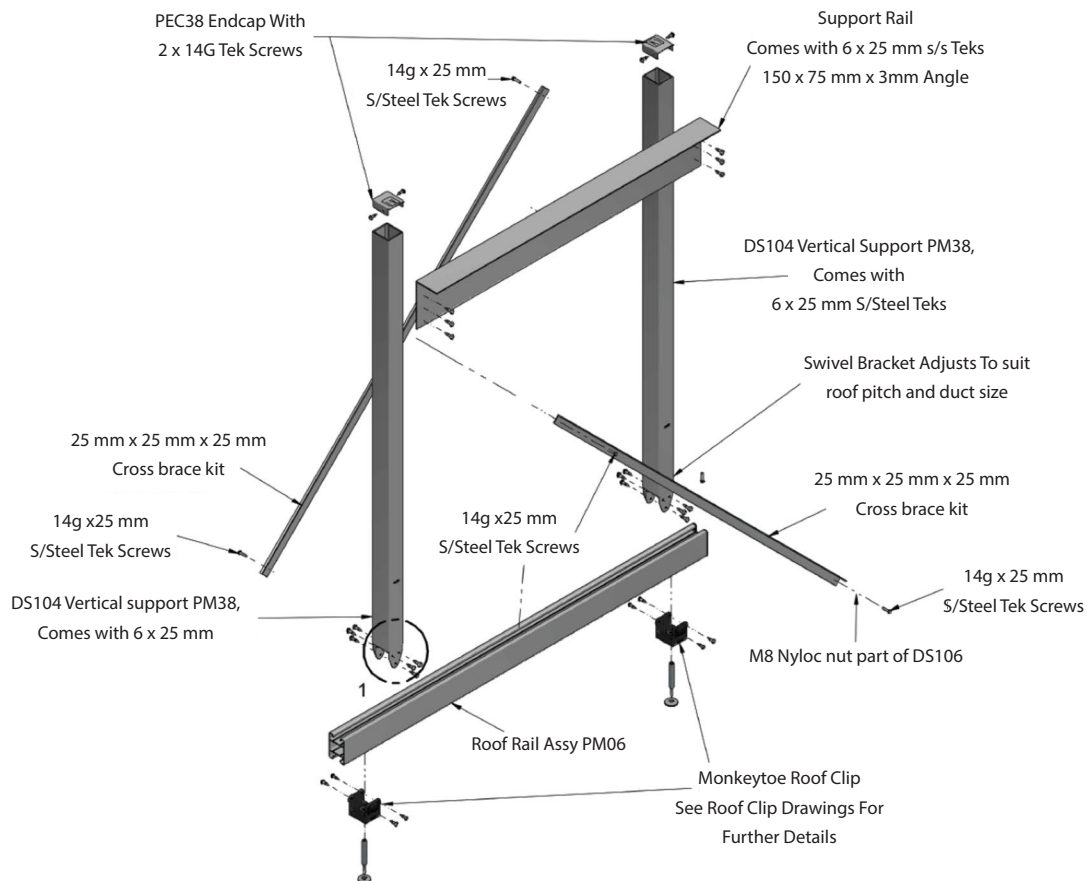
DOWN THE ROOF DUCT SUPPORTS

- 1) Attach roof rails (#1) above purlins with either MKT roof clips as supplied (#2). These should be spaced slightly wider than the duct. See separate roof clip details.
- 2) Position vertical supports (#3) and attach with 6 x 22mm TEK screws.
- 3) Level duct support (#4) at desired height and fix to vertical supports with 3 x 22mm TEK screws.
- 4) Cross brace vertical supports (#6) with 25 x 3 angle (#5) on either side. Trim and position brace to suit and fix with 1 x 22mm TEK screw each side. Drill a Dia. 9 hole thru brace and join with bolt and spacer (#6, #7).
- 5) Install remaining supports as above. Cross brace required bays with 25 x 3mm and 1 x 22mm TEK screw each side. Trim and position to suit. (Refer to design table for maximum spacing and cross brace frequency).
- 6) Strap duct to supports or attach with bolts through flange (not included).



ACROSS THE ROOF DUCT SUPPORTS

- 1) Lay PM06 extrusion down to span the purlins that the RC01 roof clips will fix onto. Fix RC01 clips into Purlins
NOTE: RC01 roof clips need to be fixed to the closest roof rib outside ducting width. (Max 2m apart) Once RC01 clips are installed place PM06 extrusion into the top of the RC01 roof clips. Using 4 x TEK screws per clip, fix the PM06 into place. If you need to join to PM06 roof rails & fix into place using 3 x tek screws per side (refer to wind load table for max post spacings).
- 2) Place the vertical posts onto the PM06 roof rails & fix into place using 3 x tek screws per side (refer to wind load table for max post spacings).
- 3) Cut the horizontal 150 x 75 x 3 unequal angle support rail to suit outer measurement of vertical posts (max 2m). Using 3 x tek screws per post connection, fix the horizontal rail onto the posts at the required height.
- 4) Every ducting support frame must be braced using the 25 x 3 mm equal angle bracing. Fix bracing to the vertical posts as shown using 1 x 25mm tek screw per connection. NOTE: Bracing must be as close to top & bottom of the posts as possible
- 5) Using 50 x 3 equal angle to brace between every second set (2 frames per set) of support frames. Use 2 x tek screws per connection to fix angle onto the vertical posts.
- 6) Position ducting & restrain onto every support frame. NOTE: Strap restraint to be provided by mechanical contractor.



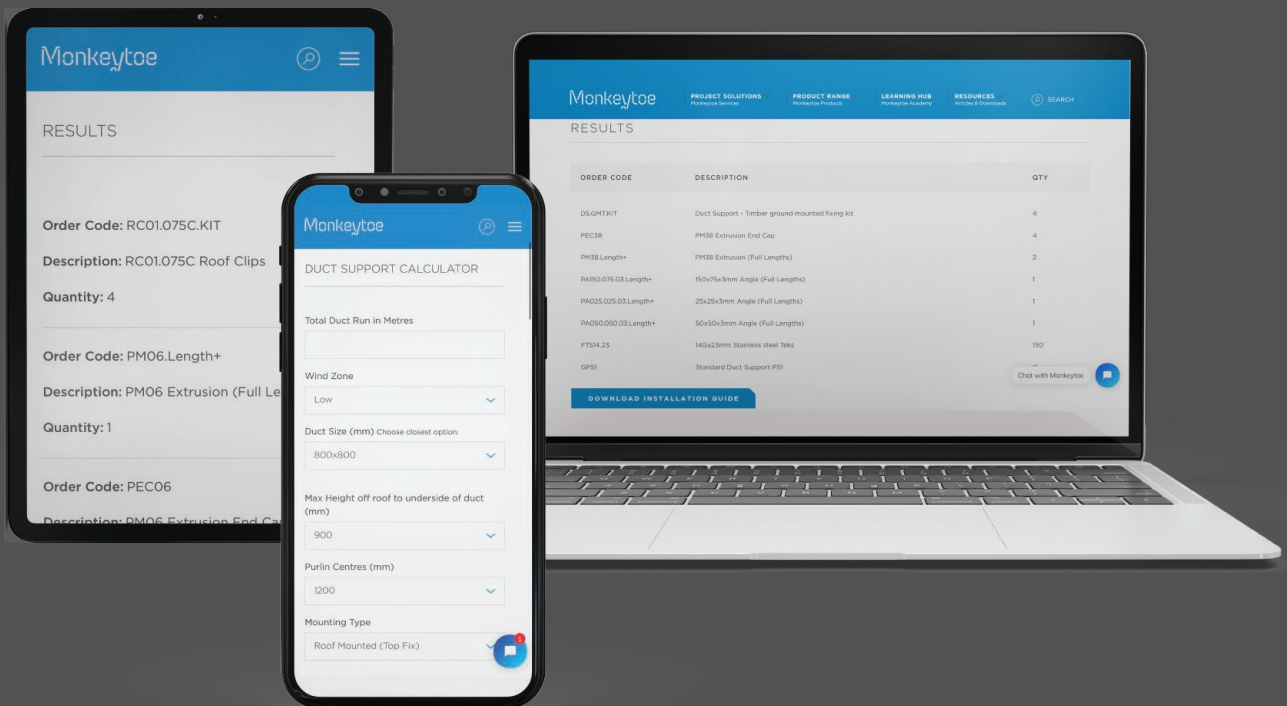


DUCT SUPPORT

MONKEYTOE CALCULATOR TOOL

Our handy online Calculator tool assists in finding the right solution for your mounting needs. All in the click of a button. Simply input your requirements and we will calculate the correct duct support spacings, and the components required to build the supports, it's that easy!

You will have access to a list of materials to send to sales@monkeytoegroup.com to order and/or get a quote for the material and a step-by-step installation video showing how to install the product.



CONDENSER MOUNT CALCULATOR TOOL

Scan me to use our tool



Monkeytoe