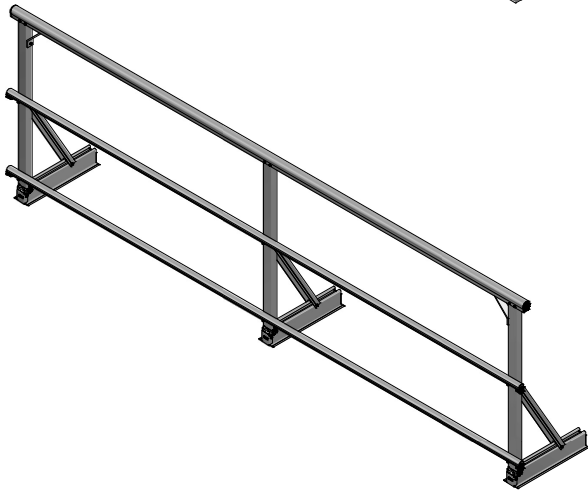
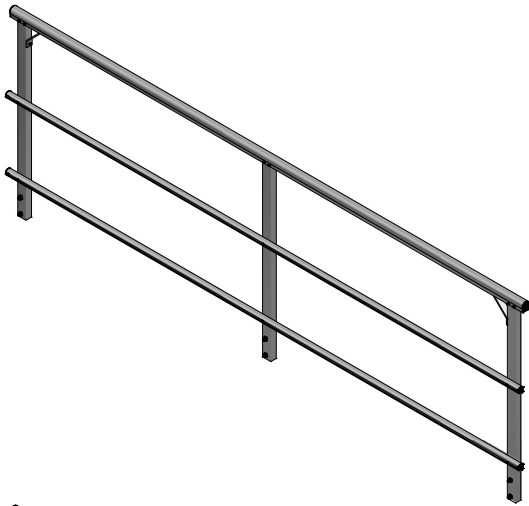
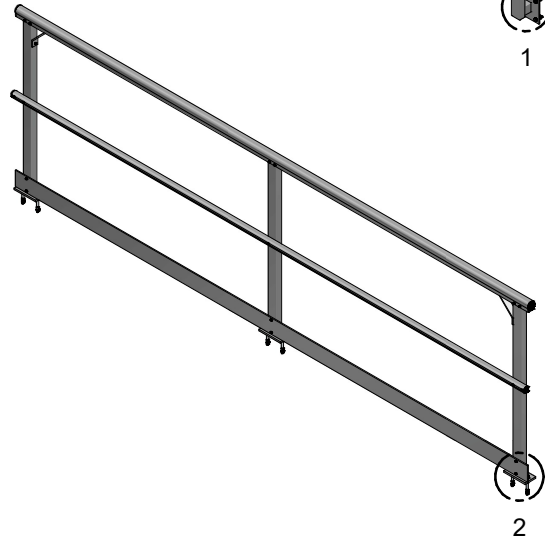
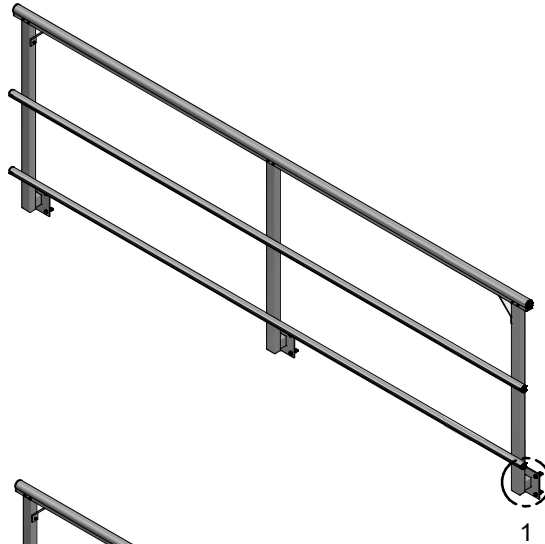


WALL MOUNTED HANDRAIL



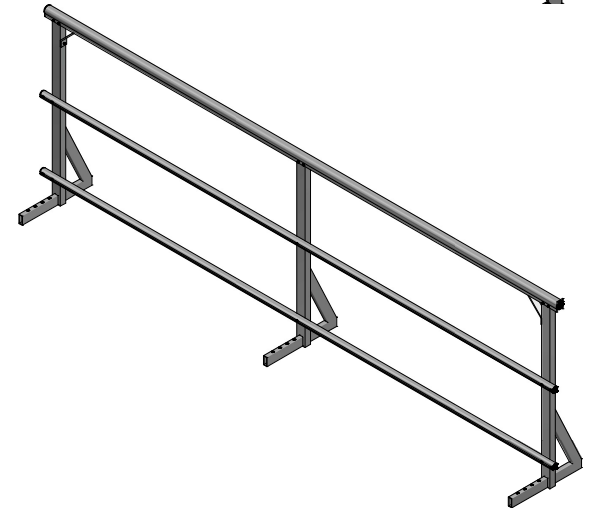
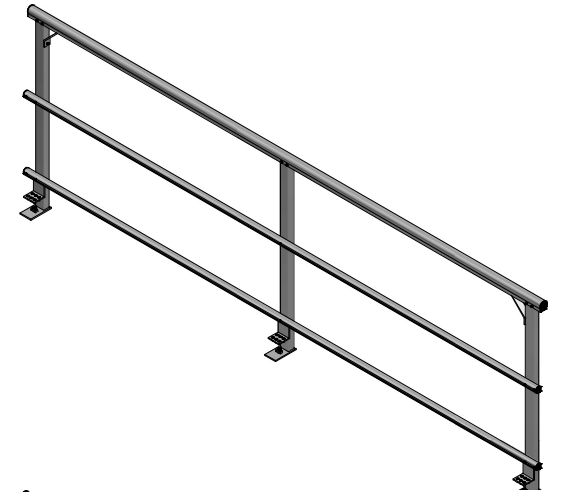
ROOF MOUNTED HANDRAIL

OFFSET WALL MOUNTED HANDRAIL



BASE MOUNTED HANDRAIL

WALKWAY SIDE STANCHION



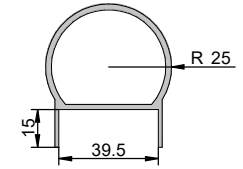
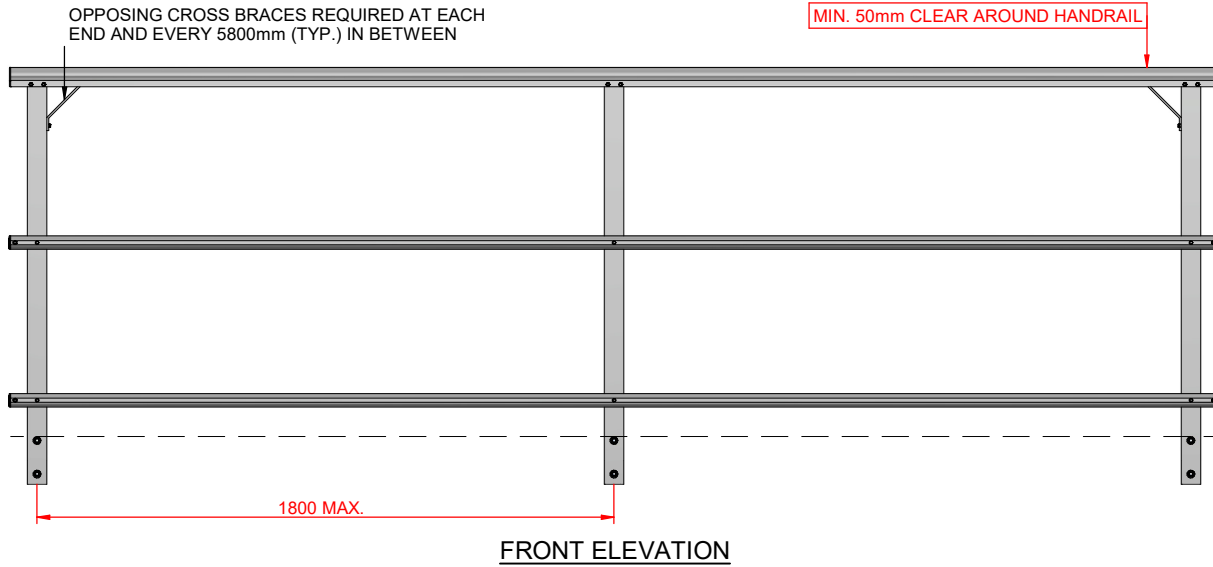
WALKWAY END STANCHION

This drawing and associated design is the copyright and property of Monkeytoe Ltd. It shall not be used for any purpose or project, without prior written consent other than that designated by Monkeytoe Ltd. ©

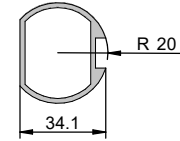
Monkeytoe

EVERYTHING BETTER
0800 658 637 - www.monkeytoe.co.nz

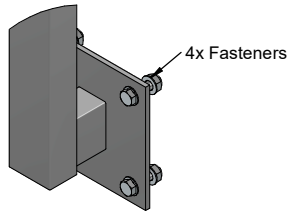
Handrail Install Guide		
MONKEYTOE GROUP		
DWG No: 2004-HR-I-01	21/06/2019	
	SHEET 1 OF 3	A3
	SCALE: 1:25	REV:01
DO NOT SCALE	DIMENSIONS IN MILLIMETERS	



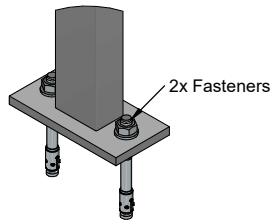
HR008 HANDRAIL EXTRUSION



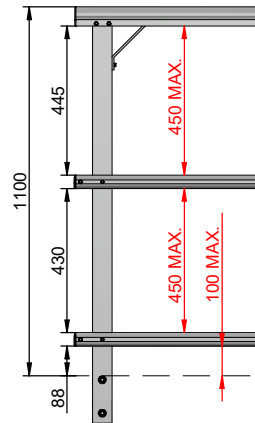
HR009 KNEERAIL EXTRUSION



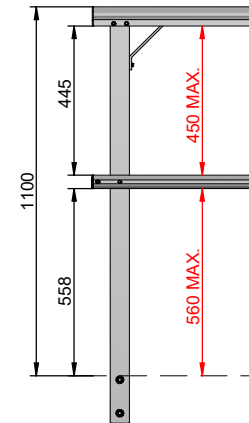
DETAIL 1
1:5



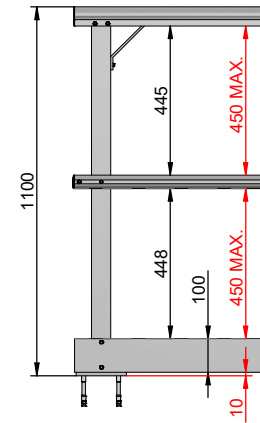
DETAIL 2
1:5



3 RAIL CONFIGURATION



2 RAIL CONFIGURATION



2 RAIL + TOEBOARD CONFIGURATION

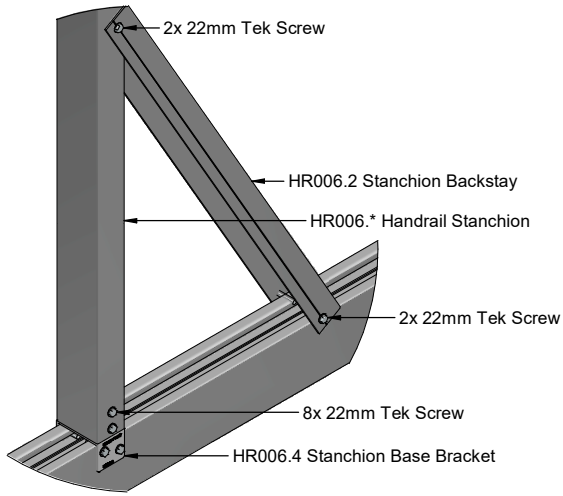
TYPICAL FASTENERS

TIMBER: M10 x 100mm Coach Screw
 CONCRETE: M10 x 75mm Concrete Screw
 STEEL: M10 Stainless Steel Hex Bolt

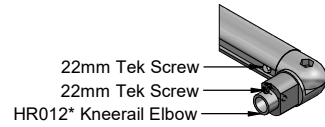
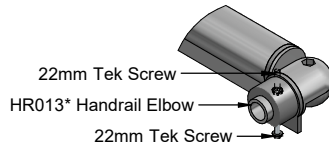


EVERYTHING BETTER
 0800 658 637 - www.monkeytoe.co.nz

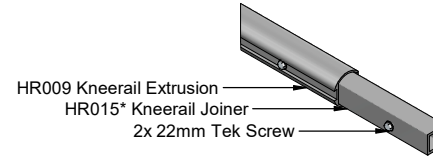
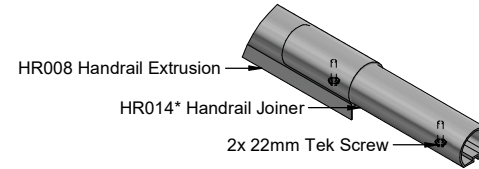
Handrail Install Guide		
MONKEYTOE GROUP		
DWG No: 2004-HR-I-01	21/06/2019	
	SHEET 2 OF 3	A3
	SCALE: 1:20	REV:01
DO NOT SCALE	DIMENSIONS IN MILLIMETERS	



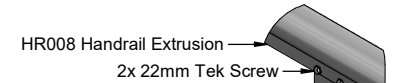
BASE MOUNTED STANCHION
1:5



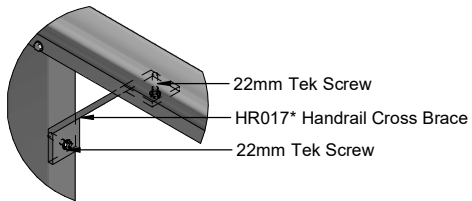
HANDRAIL ELBOWS
1:5



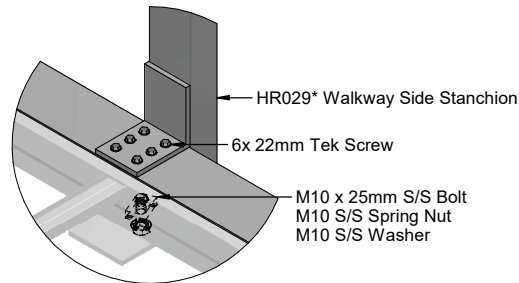
HANDRAIL JOINERS
1:5



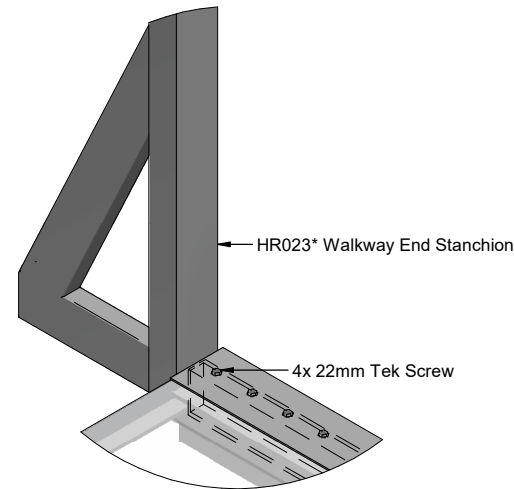
HANDRAIL FASTENERS
1:6



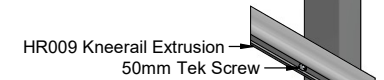
HANDRAIL CROSS BRACE
1:5



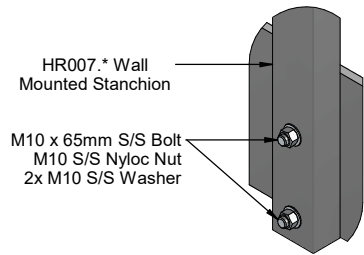
WALKWAY SIDE STANCHION
1:5



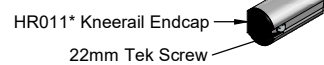
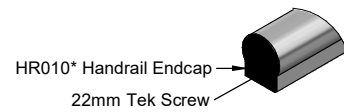
WALKWAY END STANCHION
1:5



HANDRAIL FASTENERS
1:6



WALL MOUNTED STANCHION
1:5



HANDRAIL ENDCAPS
1:5

Monkeytoe

EVERYTHING BETTER
0800 658 637 - www.monkeytoe.co.nz

Handrail Install Guide		
MONKEYTOE GROUP		
DWG No: 2004-HR-I-01	21/06/2019	
	SHEET 3 OF 3	A3
	SCALE: 1:1	REV:01
DO NOT SCALE	DIMENSIONS IN MILLIMETERS	