

TYPICAL FIXINGS

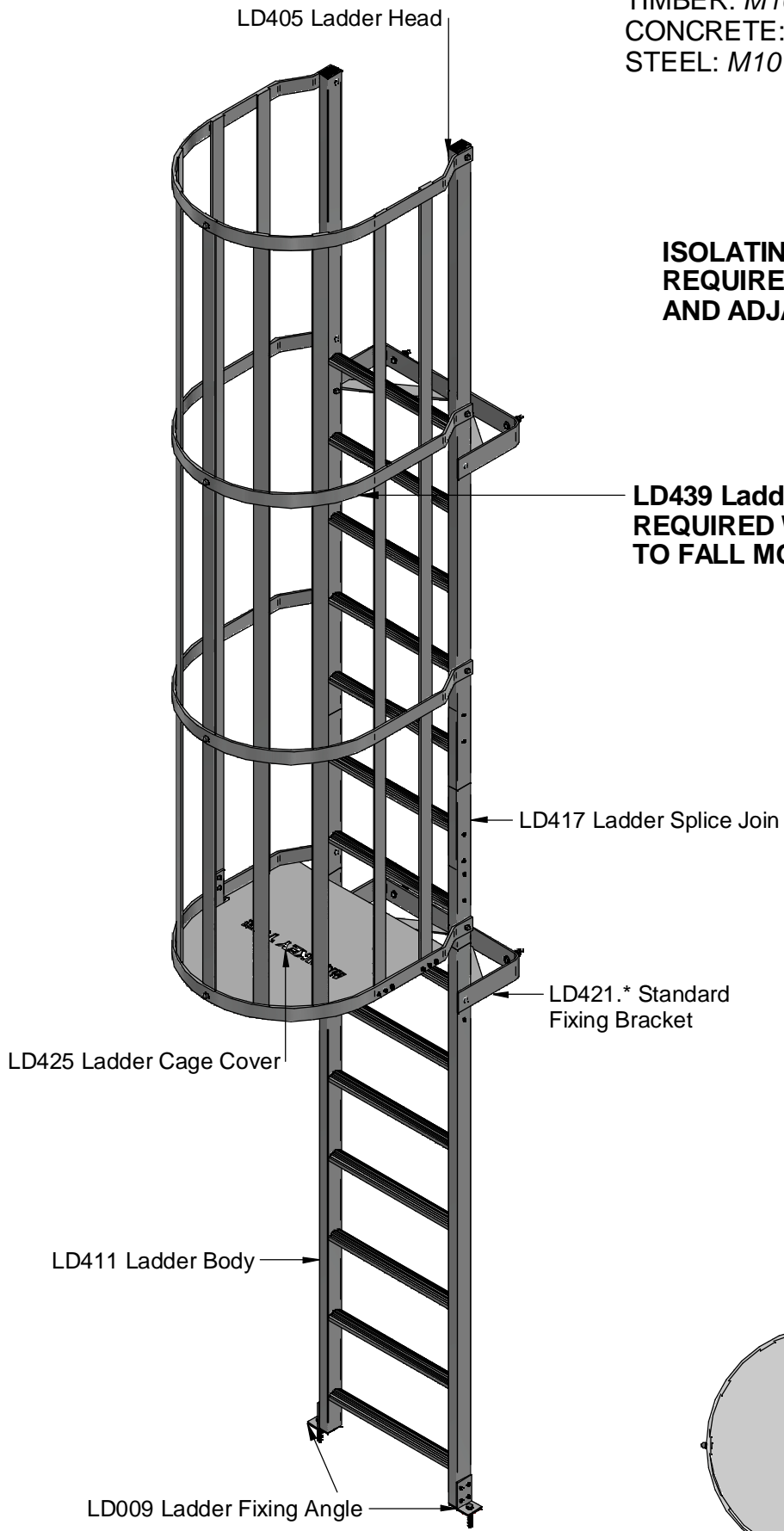
TIMBER: M10 x 100mm Coach Screw

CONCRETE: M10 x 75mm Screw Bolt

STEEL: M10 Stainless Steel Hex Nut

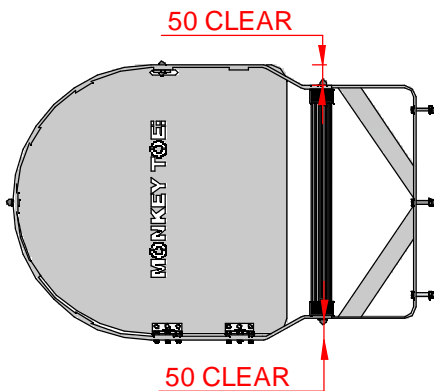
ISOLATING RUBBER MAY BE REQUIRED BETWEEN LADDER AND ADJACENT SURFACES

**LD439 Ladder Cage
REQUIRED WHEN IT IS POSSIBLE
TO FALL MORE THAN SIX METERS**



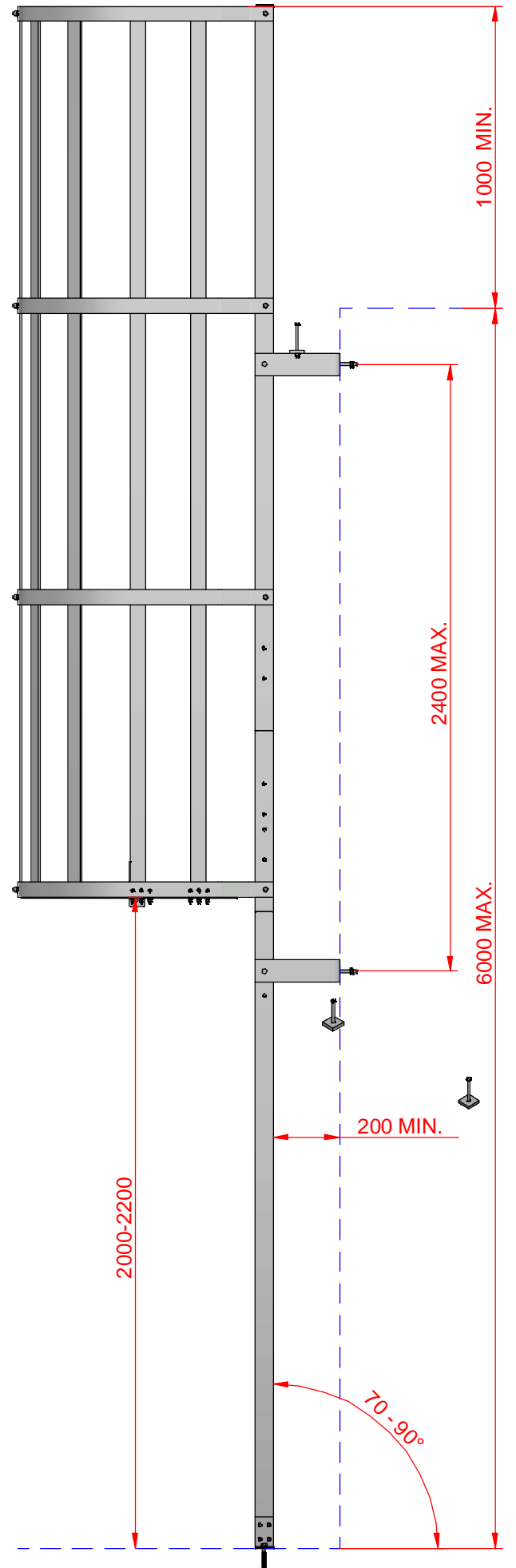
TYPICAL LADDER ASSEMBLY

1:20



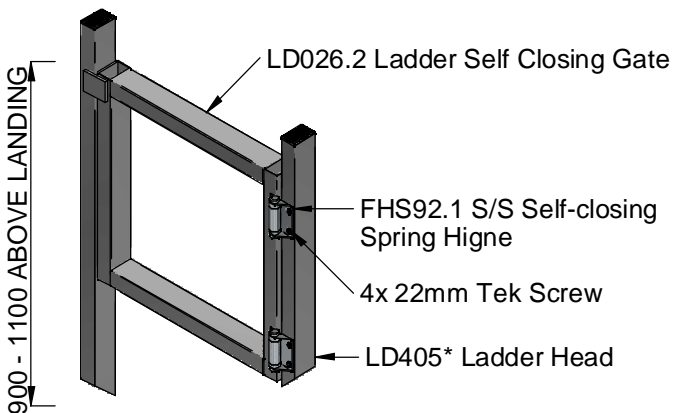
PLAN VIEW

1:20



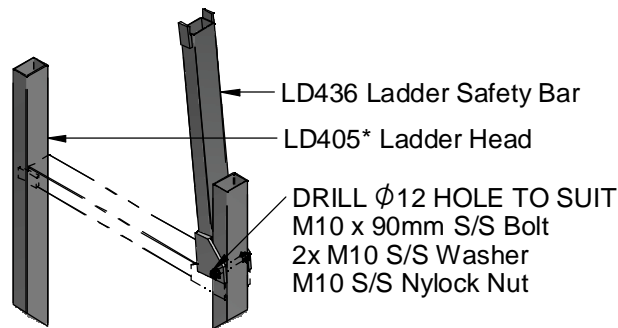
CRITICAL DIMENSIONS

1:20



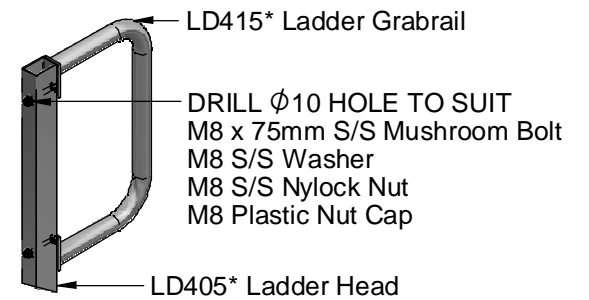
LADDER GATE

1:15



LADDER SAFETY BAR

1:15



LADDER GRAB RAILS

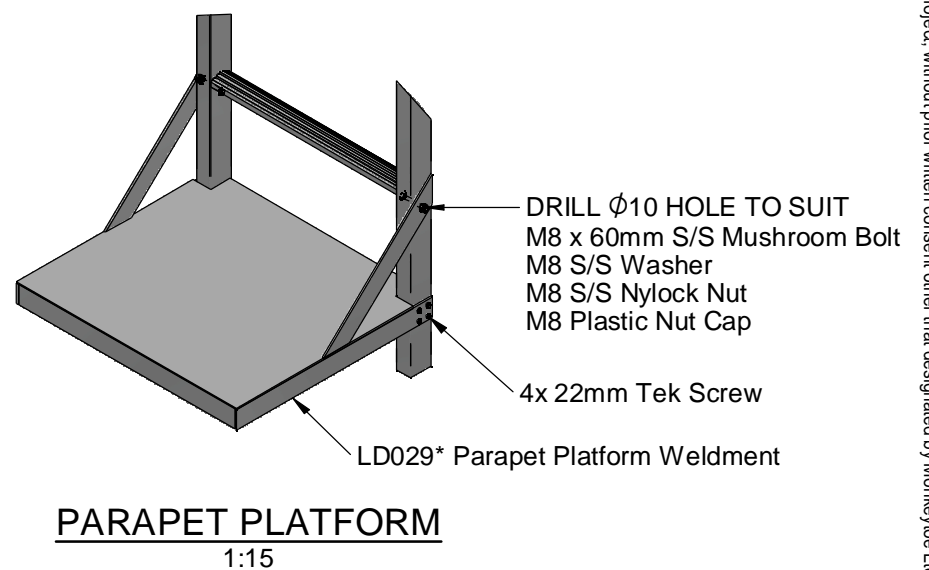
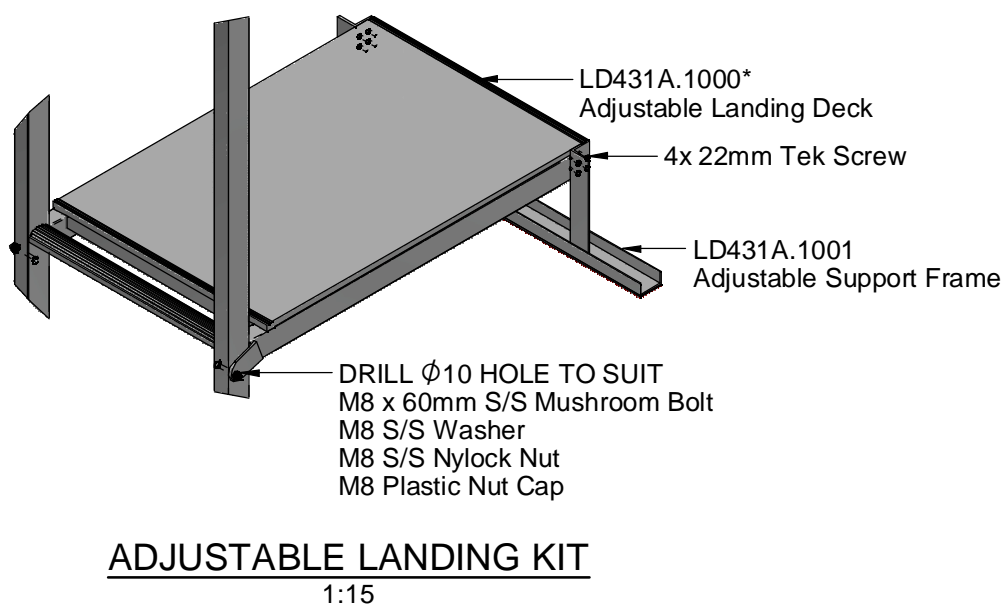
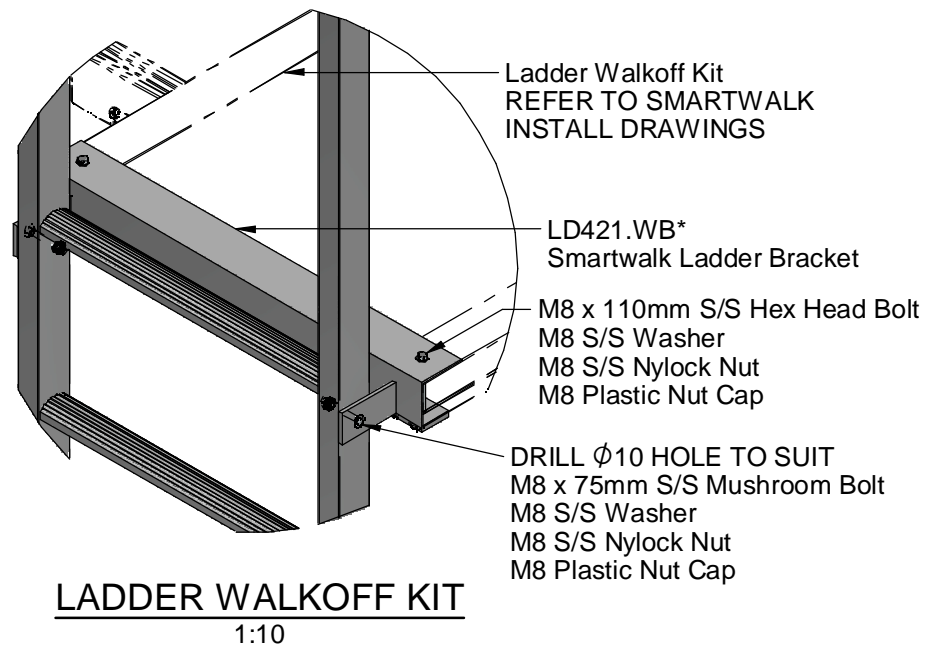
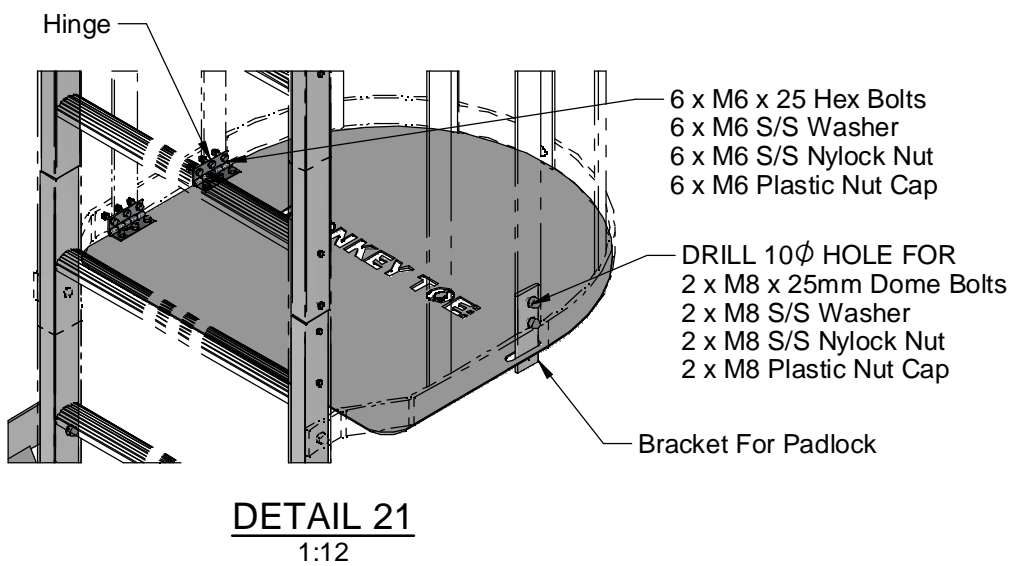
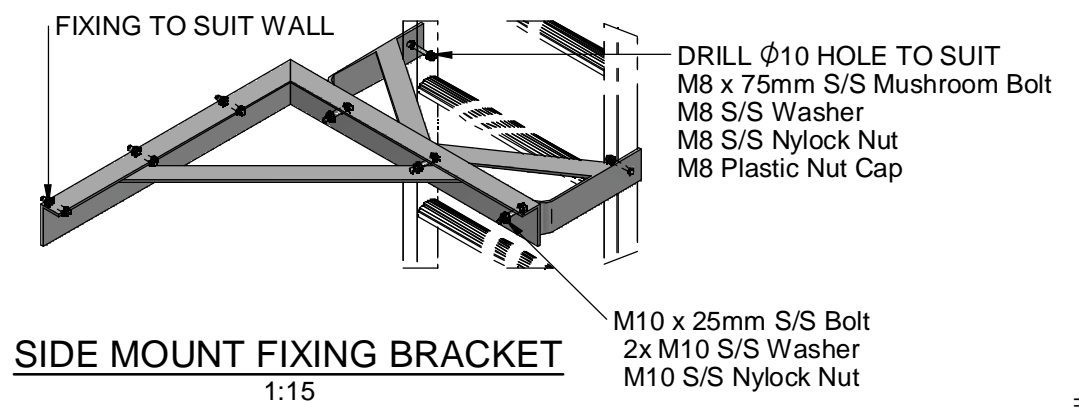
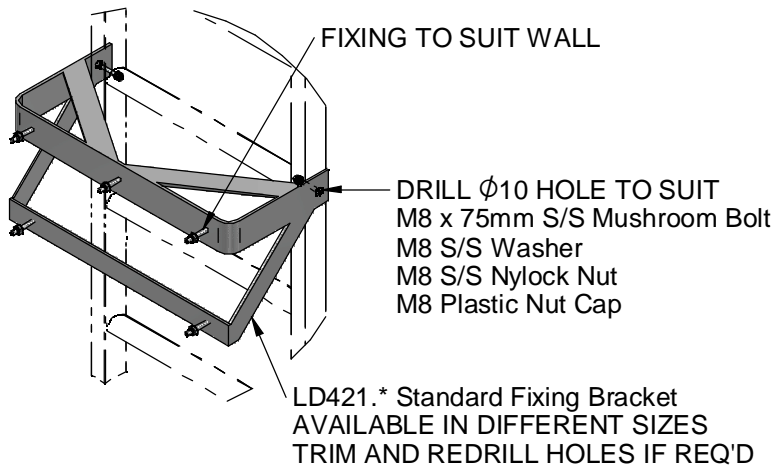
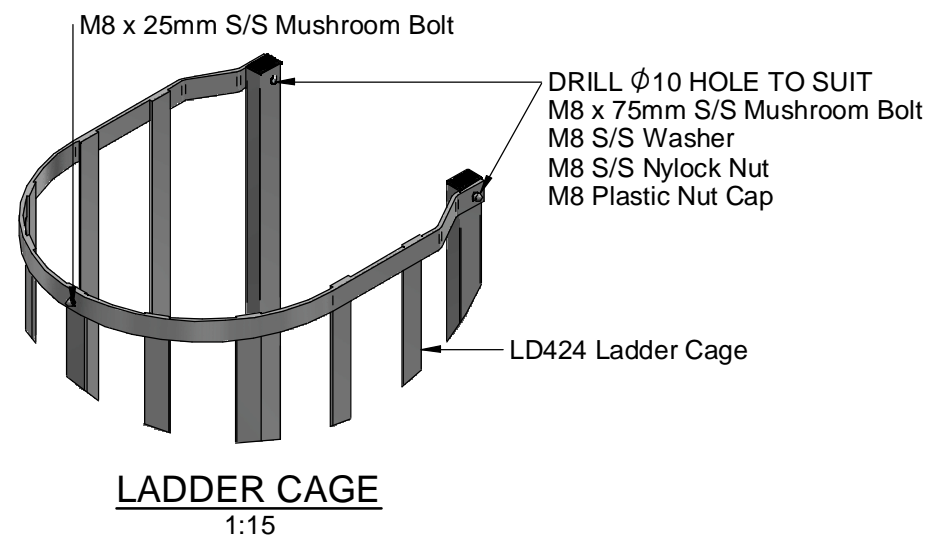
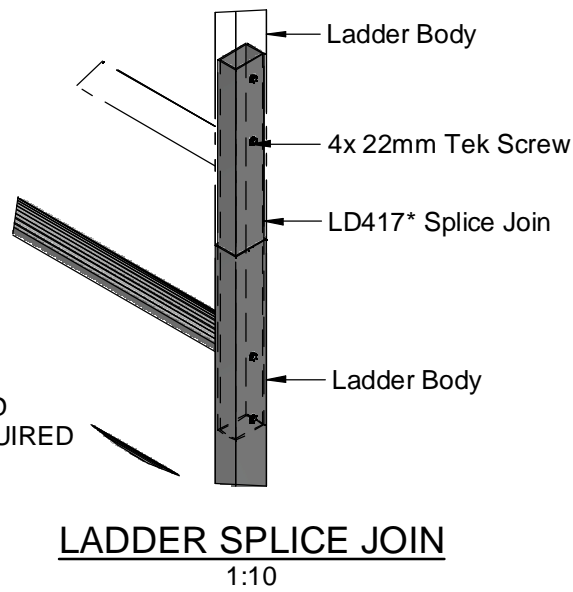
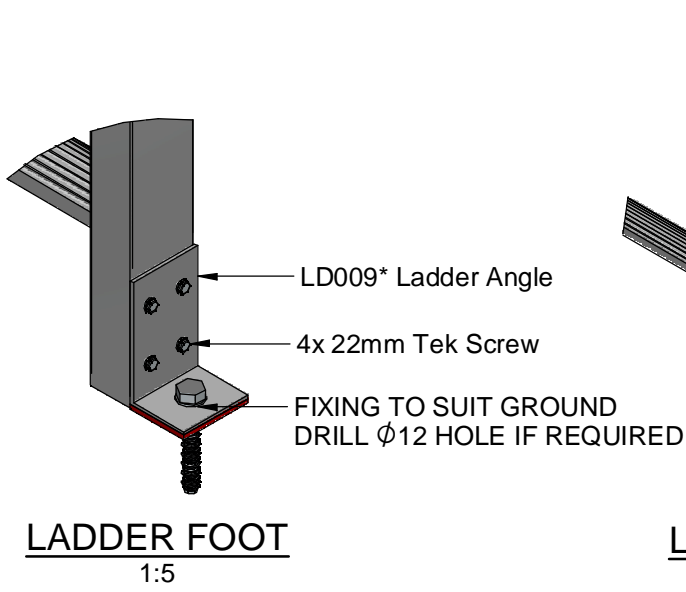
1:15



EVERYTHING BETTER

0800 658 637 - www.monkeytoe.co.nz

Ladder Install Guide		
MONKEYTOE GROUP		
DWG No: 2004-LAD-I-01	26/09/2019	
<p>DO NOT SCALE</p>	SHEET 1 OF 2	A3
	SCALE: 1:50	REV:02
DIMENSIONS IN MILLIMETERS		



Monkeytoe

EVERYTHING BETTER
0800 658 637 - www.monkeytoe.co.nz

Ladder Install Guide		
MONKEYTOE GROUP		
DWG No: 2004-LAD-I-01	26/09/2019	
	SHEET 2 OF 2	A3
	SCALE: 1:10	REV:02
DO NOT SCALE	DIMENSIONS IN MILLIMETERS	

This drawing and associated design is the copyright and property of Monkeytoe Ltd. It shall not be used for any purpose or project, without prior written consent other than that designated by Monkeytoe Ltd. ©