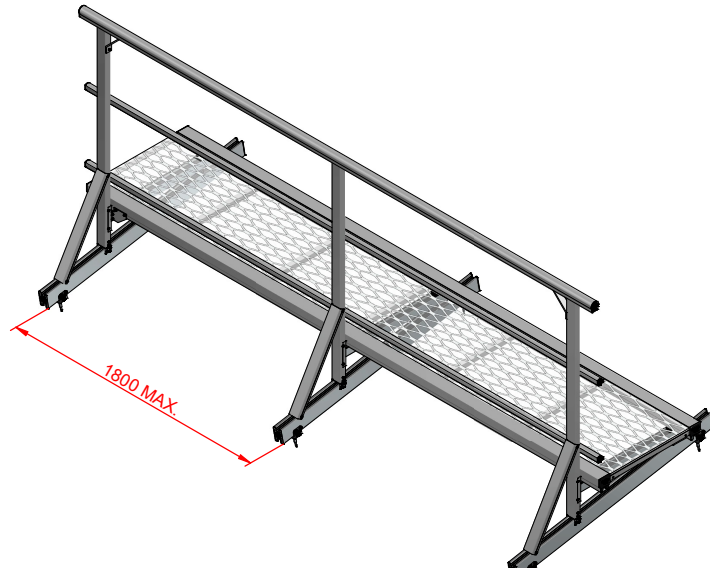
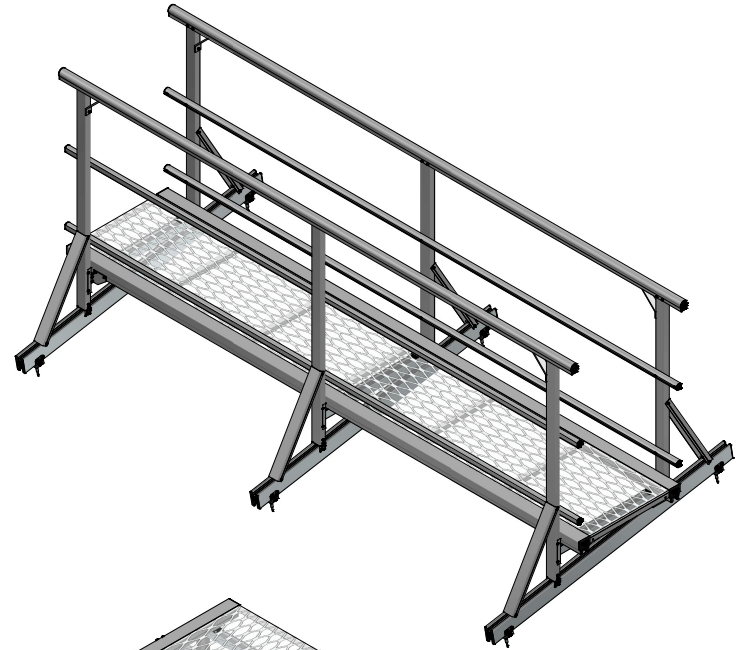


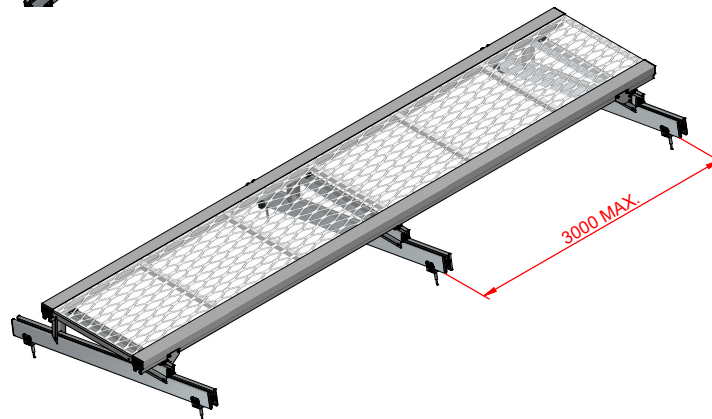
SMARTWALK (SINGLE HANDRAIL)



SMARTWALK (DOUBLE HANDRAIL)



SMARTWALK (STANDARD)

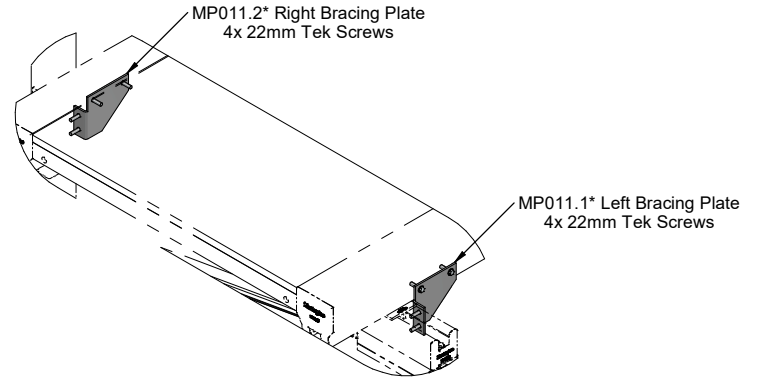
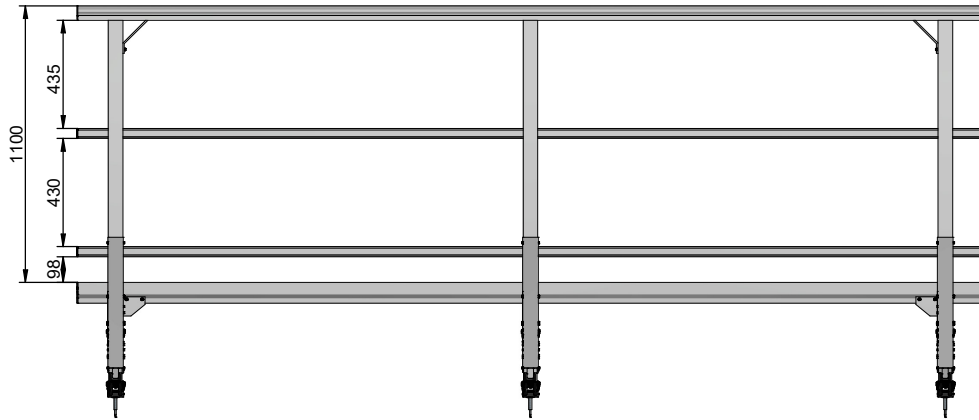


SMARTWALK (LEVELLED)

Monkeytoe

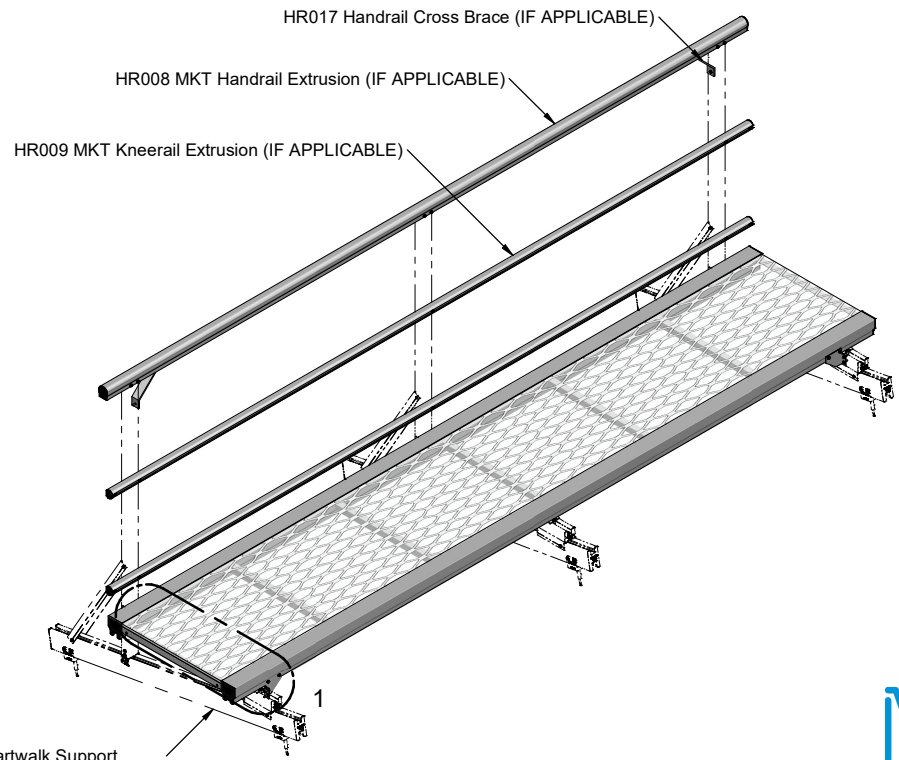
EVERYTHING BETTER  
0800 658 637 - www.monkeytoe.co.nz

Smartwalk Install Guide		
MONKEYTOE GROUP		
DWG No: 2004-MSW-I-01	21/06/2019	
 DO NOT SCALE	SHEET 1 OF 4	A3
	SCALE: 1:20	REV:01
DIMENSIONS IN MILLIMETERS		

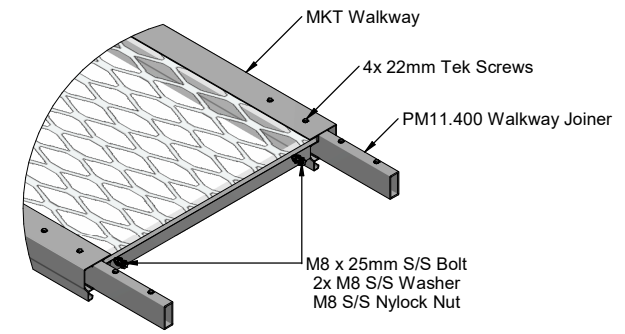


**DETAIL 1**  
1:7.5

**BRACING PLATES REQUIRED IN PAIRS AT EACH END AND EVERY 10000mm (TYP).**



Smartwalk Support.  
SEE SHEET 3 FOR DETAILS



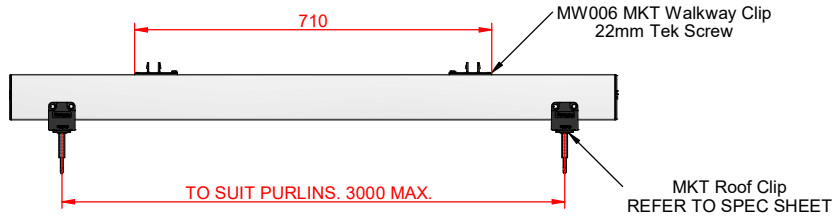
**WALKWAY JOIN DETAIL**  
**(FOR WALKWAYS OVER 6000mm)**  
1:10

**Monkeytoe**

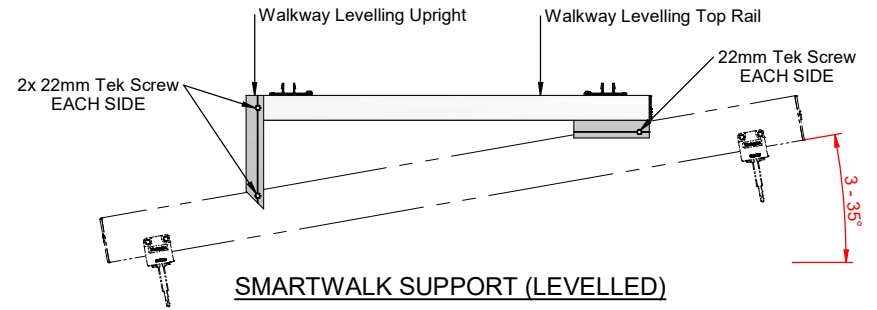
EVERYTHING BETTER  
0800 658 637 - www.monkeytoe.co.nz

Smartwalk Install Guide		
MONKEYTOE GROUP		
DWG No: 2004-MSW-I-01	21/06/2019	
	SHEET 2 OF 4	A3
	SCALE: 1:20	REV:01
DO NOT SCALE	DIMENSIONS IN MILLIMETERS	

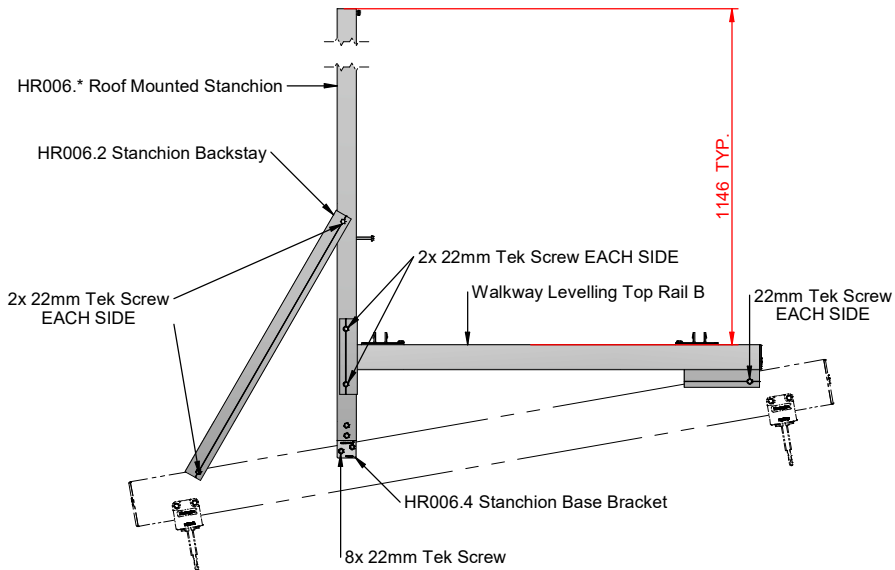
This drawing and associated design is the copyright and property of Monkeytoe Ltd. It shall not be used for any purpose or project, without prior written consent other than designated by Monkeytoe Ltd. ©



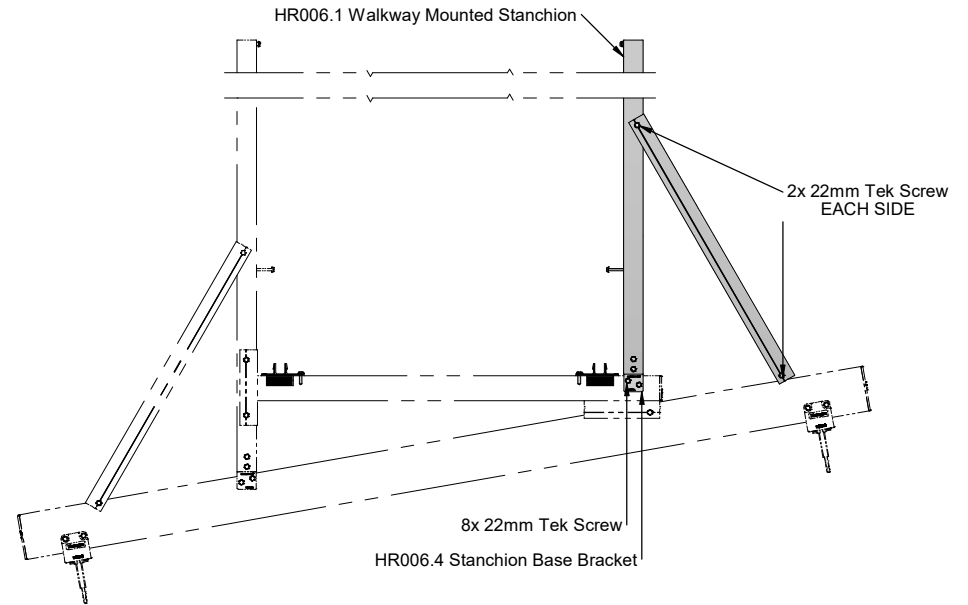
**SMARTWALK SUPPORT (STANDARD)**



**SMARTWALK SUPPORT (LEVELLED)**



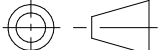
**SMARTWALK SUPPORT (LEVELLED WITH SINGLE HANDRAIL)**



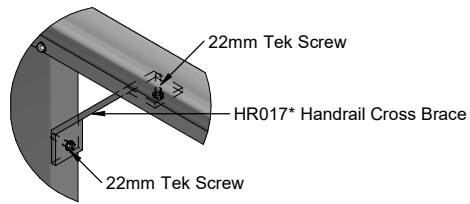
**SMARTWALK SUPPORT (LEVELLED WITH DOUBLE HANDRAIL)**

**Monkeytoe**

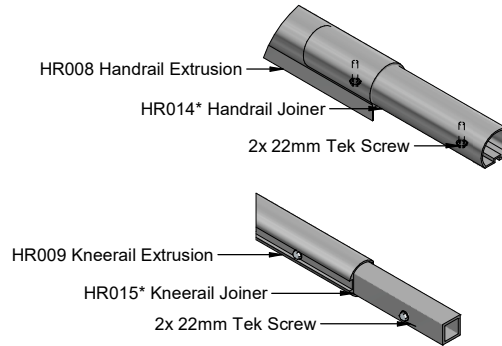
EVERYTHING BETTER  
0800 658 637 - www.monkeytoe.co.nz

Smartwalk Install Guide		
MONKEYTOE GROUP		
DWG No: 2004-MSW-I-01	21/06/2019	
 DO NOT SCALE	SHEET 3 OF 4	A3
	SCALE: 1:1	REV:01
DIMENSIONS IN MILLIMETERS		

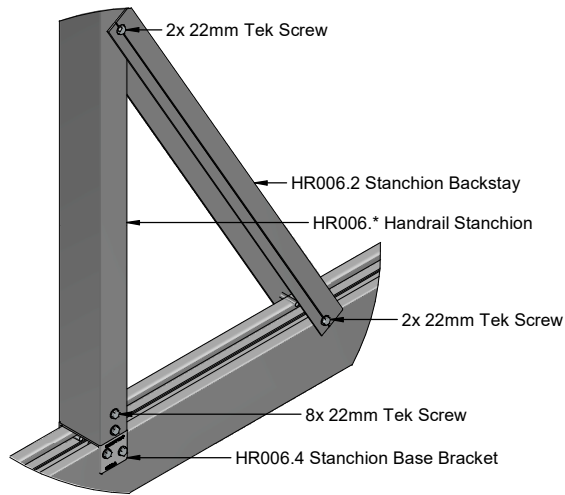
This drawing and associated design is the copyright and property of Monkeytoe Ltd. It shall not be used for any purpose or project, without prior written consent other than designated by Monkeytoe Ltd. ©



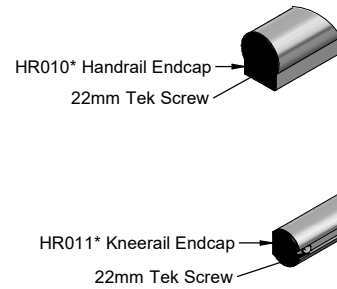
**HANDRAIL CROSS BRACE**  
1:5



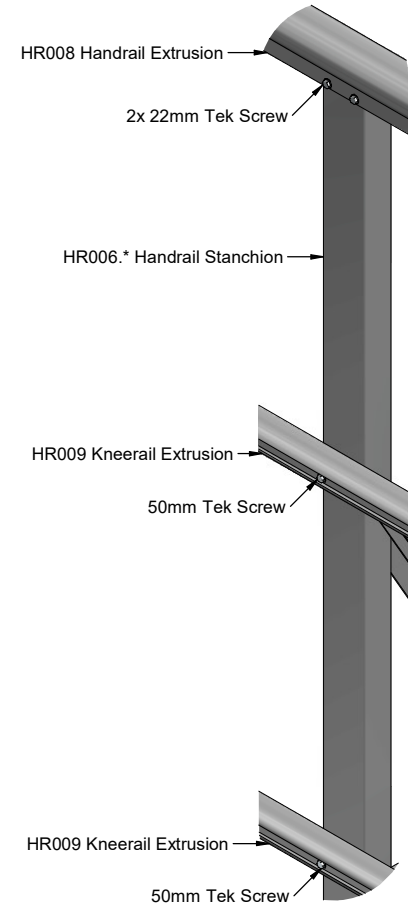
**HANDRAIL JOINERS**  
1:5



**BASE MOUNTED STANCHION**  
1:5



**HANDRAIL ENDCAPS**  
1:5



**HANDRAIL FASTENERS**  
1:6

**REFER TO 2004-HR-I-01 FOR ADDITIONAL  
HANDRAIL INSTALL PROCEDURES**

**Monkeytoe**

EVERYTHING BETTER  
0800 658 637 - www.monkeytoe.co.nz

Smartwalk Install Guide		
MONKEYTOE GROUP		
DWG No: 2004-MSW-I-01	21/06/2019	
	SHEET 4 OF 4	A3
	SCALE: 1:1	REV:01
DO NOT SCALE	DIMENSIONS IN MILLIMETERS	