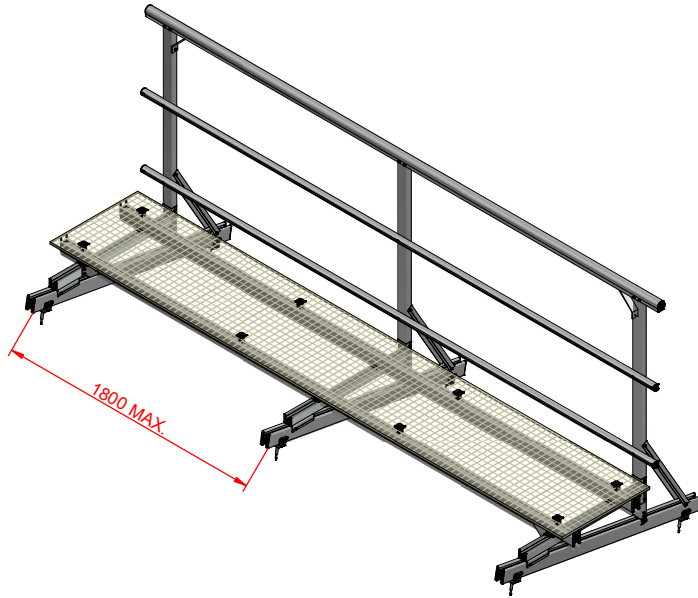
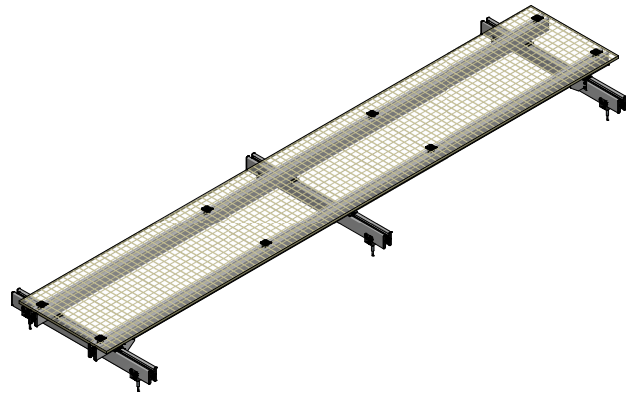
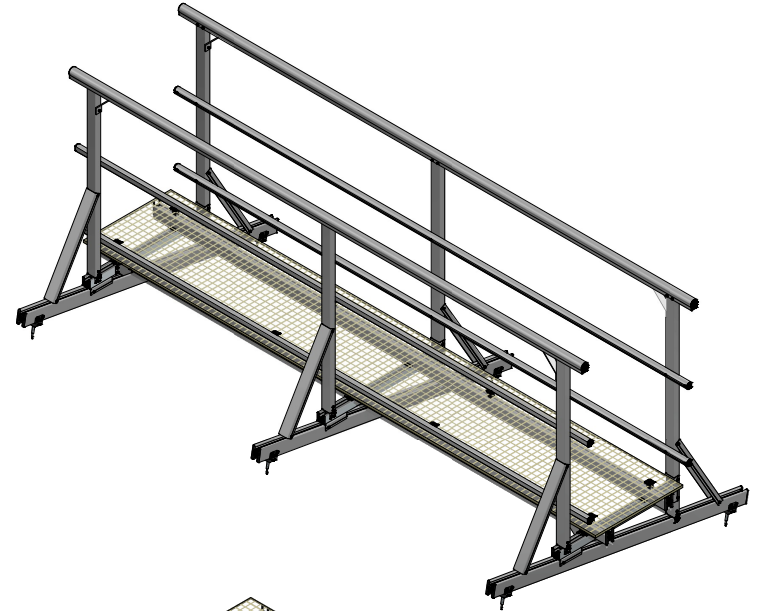




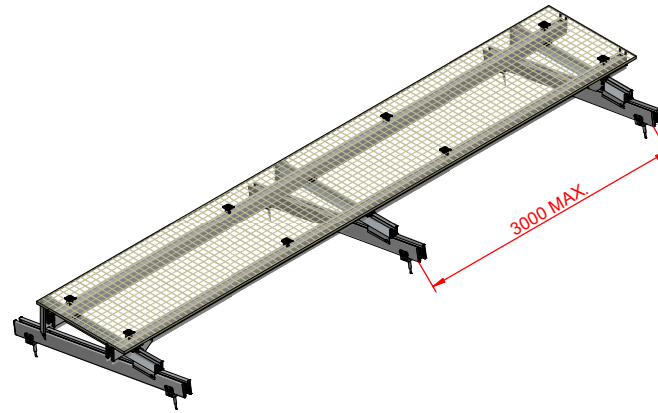
SKYWALK (SINGLE HANDRAIL)



SKYWALK (DOUBLE HANDRAIL)



SKYWALK (STANDARD)



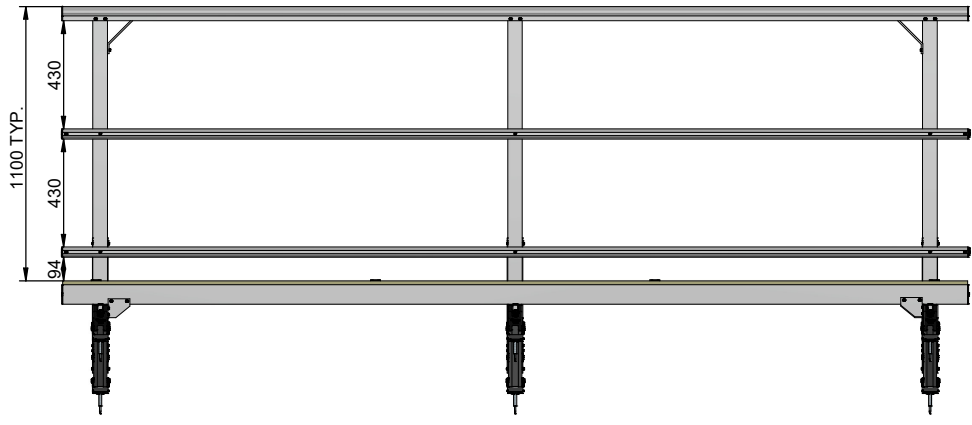
SKYWALK (LEVELLED)

This drawing and associated design is the copyright and property of Monkeytoe Ltd. It shall not be used for any purpose or project, without prior written consent other than designated by Monkeytoe Ltd. ©

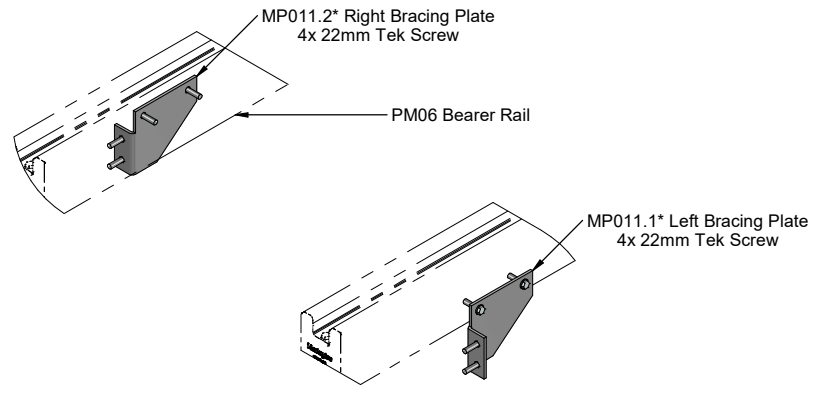
Monkeytoe

EVERYTHING BETTER
0800 658 637 - www.monkeytoe.co.nz

Skywalk Install Guide		
MONKEYTOE GROUP		
DWG No: 2004-SKY-I-01	21/06/2019	
	SHEET 1 OF 4	A3
	SCALE: 1:10	REV:01
DO NOT SCALE	DIMENSIONS IN MILLIMETERS	

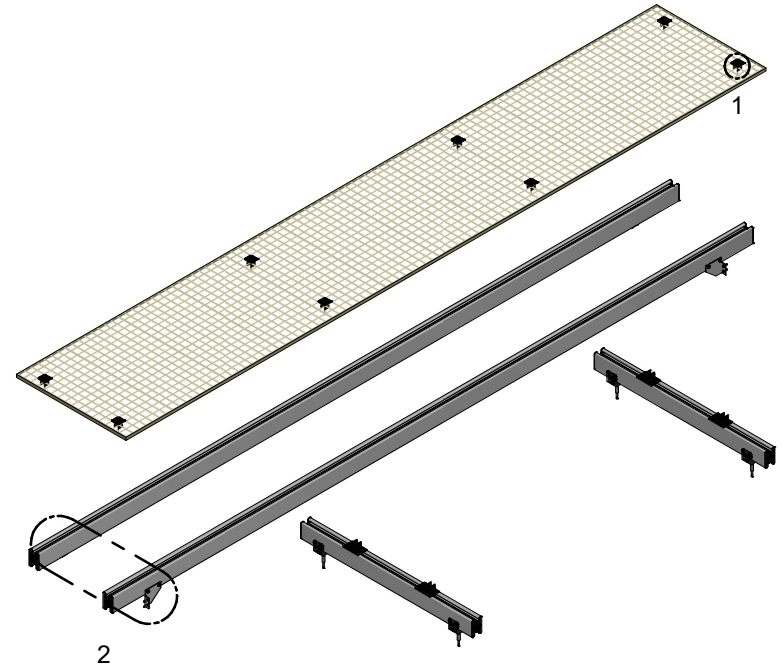


SIDE ELEVATION



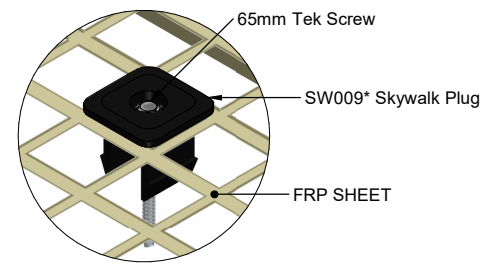
DETAIL 2
1:5

BRACING PLATES REQUIRED IN PAIRS AT EACH END AND EVERY 10000mm TYP.

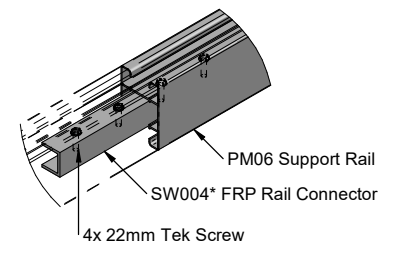


Skywalk Support
SEE SHEET 3 FOR DETAILS

EXPLODED VIEW



DETAIL 1
1:2



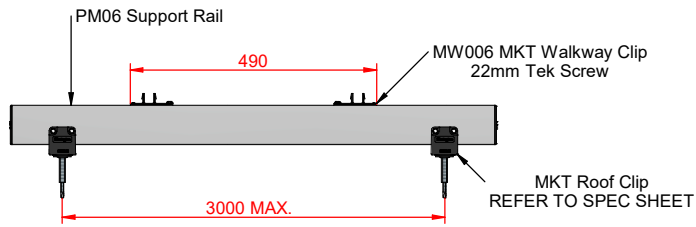
PM06 JOIN DETAIL
(FOR SKYWALK OVER 6000mm)
1:5

Monkeytoe

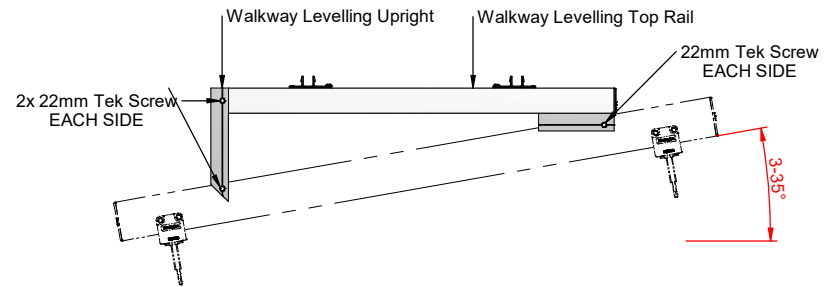
EVERYTHING BETTER
0800 658 637 - www.monkeytoe.co.nz

Skywalk Install Guide		
MONKEYTOE GROUP		
DWG No: 2004-SKY-I-01	21/06/2019	
DO NOT SCALE	SHEET 2 OF 4	A3
	SCALE: 1:20	REV:01
DIMENSIONS IN MILLIMETERS		

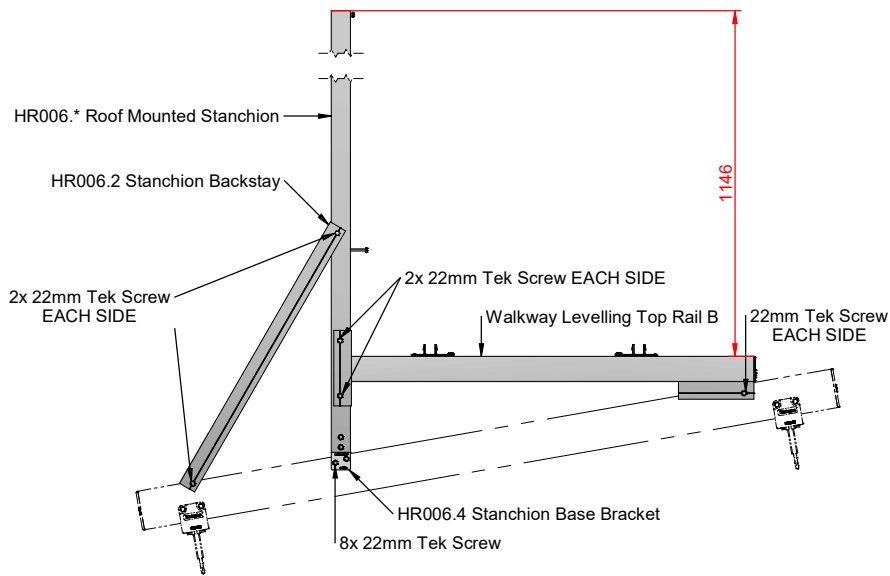
This drawing and associated design is the copyright and property of Monkeytoe Ltd. It shall not be used for any purpose or project, without prior written consent other than designated by Monkeytoe Ltd. ©



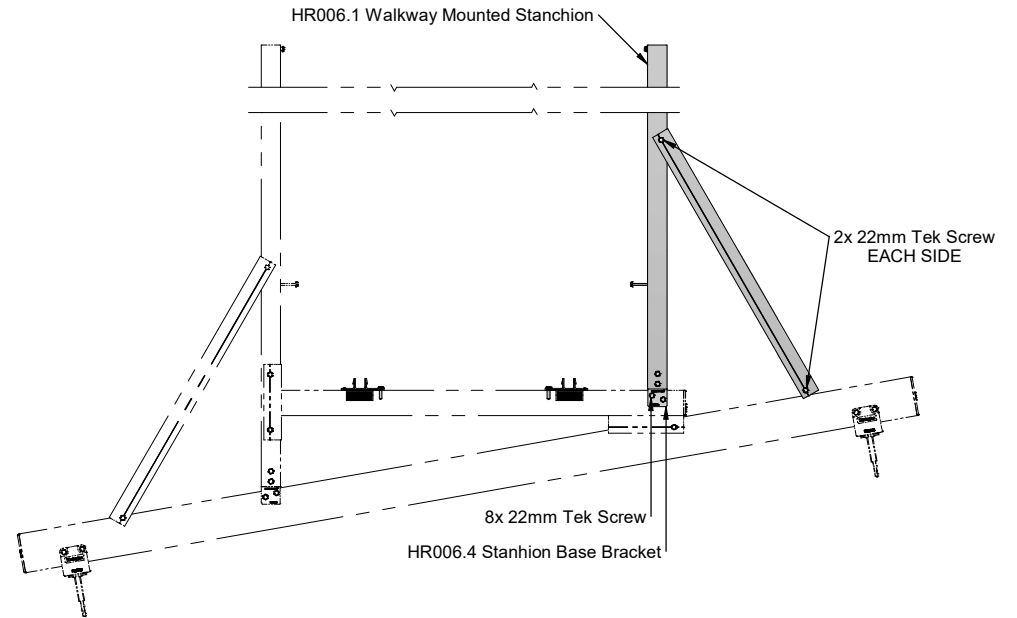
SKYWALK SUPPORT (STANDARD)



SKYWALK SUPPORT (LEVELLED)



SKYWALK SUPPORT (LEVELLED WITH SINGLE HANDRAIL)

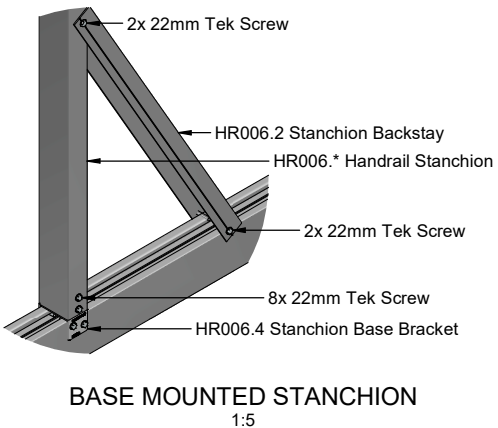
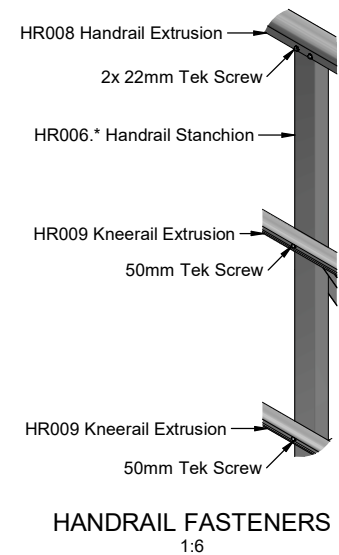
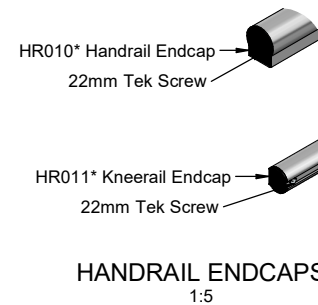
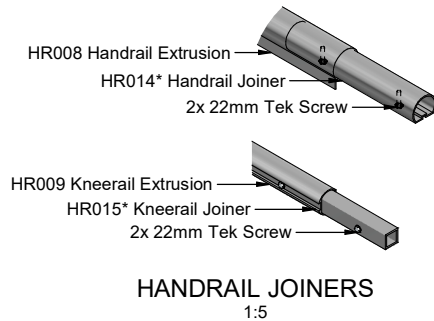
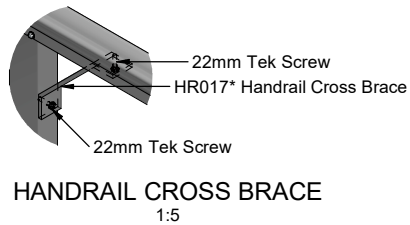
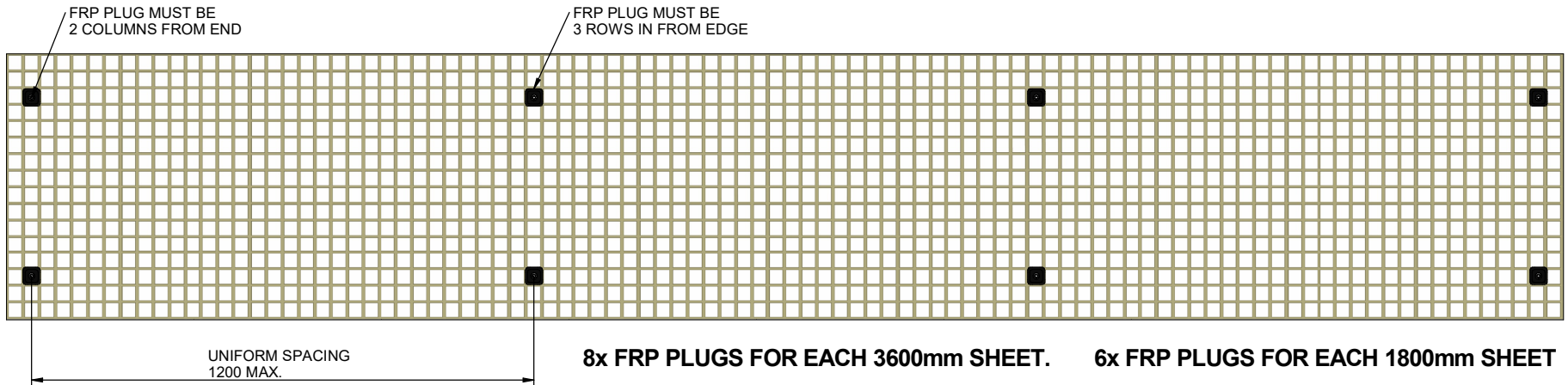


SKYWALK SUPPORT (LEVELLED WITH DOUBLE HANDRAIL)

Monkeytoe

EVERYTHING BETTER
0800 658 637 - www.monkeytoe.co.nz


Skywalk Install Guide		
MONKEYTOE GROUP		
DWG No: 2004-SKY-I-01	21/06/2019	
 DO NOT SCALE	SHEET 3 OF 4	A3
	SCALE: 1:20	REV:01
DIMENSIONS IN MILLIMETERS		



**REFER TO 2004-HR-I-01 FOR ADDITIONAL
HANDRAIL INSTALL PROCEDURES**



EVERYTHING BETTER
0800 658 637 - www.monkeytoe.co.nz

Skywalk Install Guide		
MONKEYTOE GROUP		
DWG No: 2004-SKY-I-01	21/06/2019	
 DO NOT SCALE	SHEET 4 OF 4	A3
	SCALE: 1:1	REV:01
DIMENSIONS IN MILLIMETERS		