

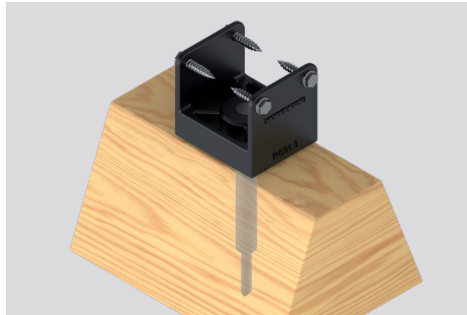
FIXING OPTIONS.

Top-fix | Clamped | Tape | Smartgrip



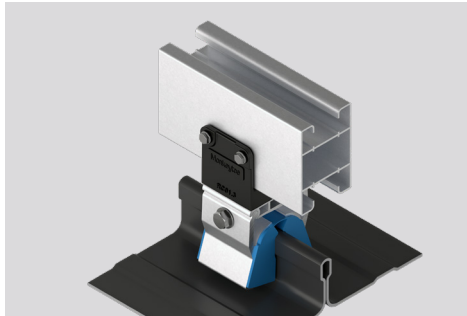
RC01 JACKSTUD FIXING.

Proprietary jackstud fixing detail to mount to top-fixed roofing profiles.



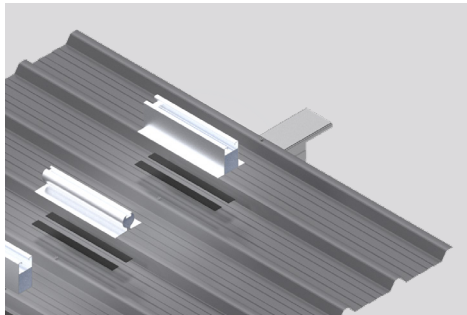
RC01 MEMBRANE PLINTH FIXING.

Plinth roof fixing detail to mount to membrane warm-roof roofing profiles.



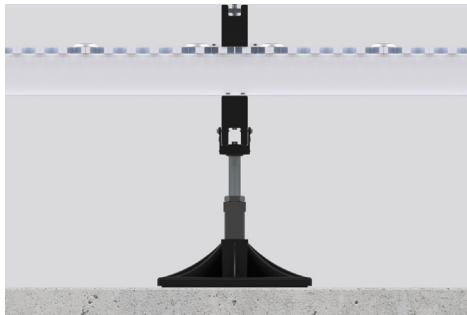
RC03 CLAMPED-STYLE FIXING.

Rooflogic clamped-style roof fixing detail for non-top-fix roofing profiles.



HIGH-BOND CONSTRUCTION ADHESIVE TAPE.

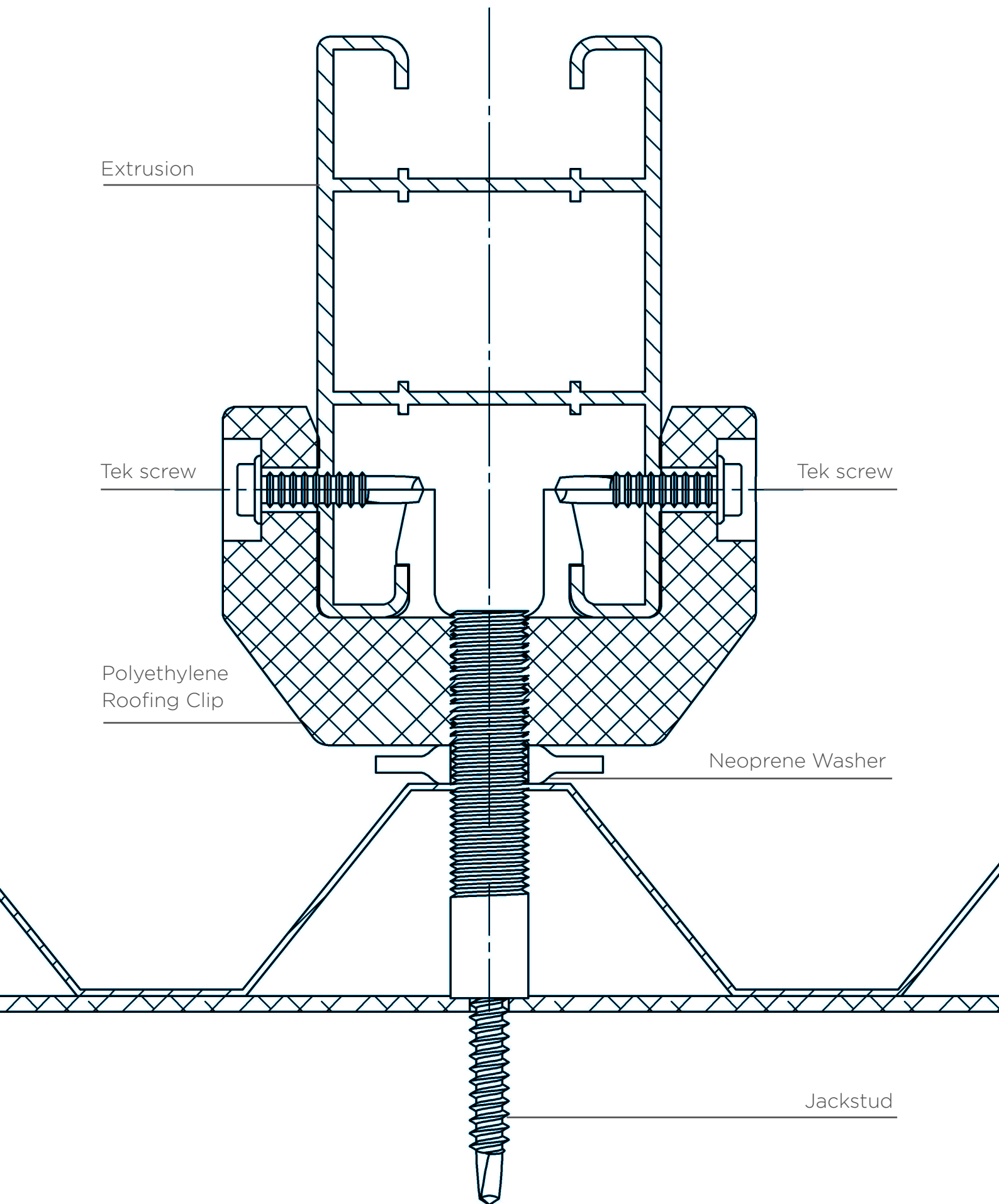
High-bond construction tape for adhesion to various mounting surfaces.



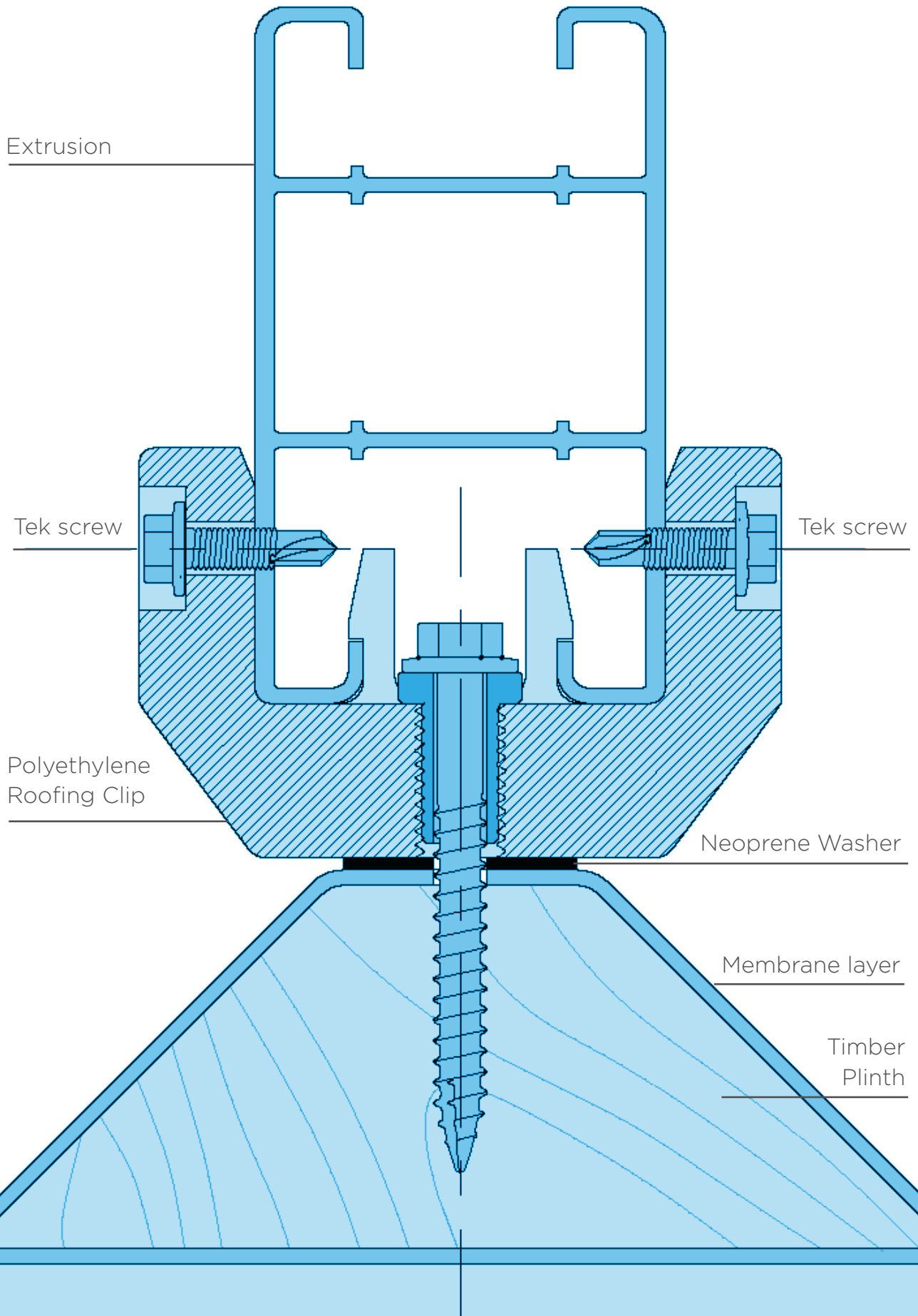
SMARTGRIP FOOT.

Adjustable, non-penetrating, gripping foot for surface mounting of HVAC units on flat areas i.e. concrete.

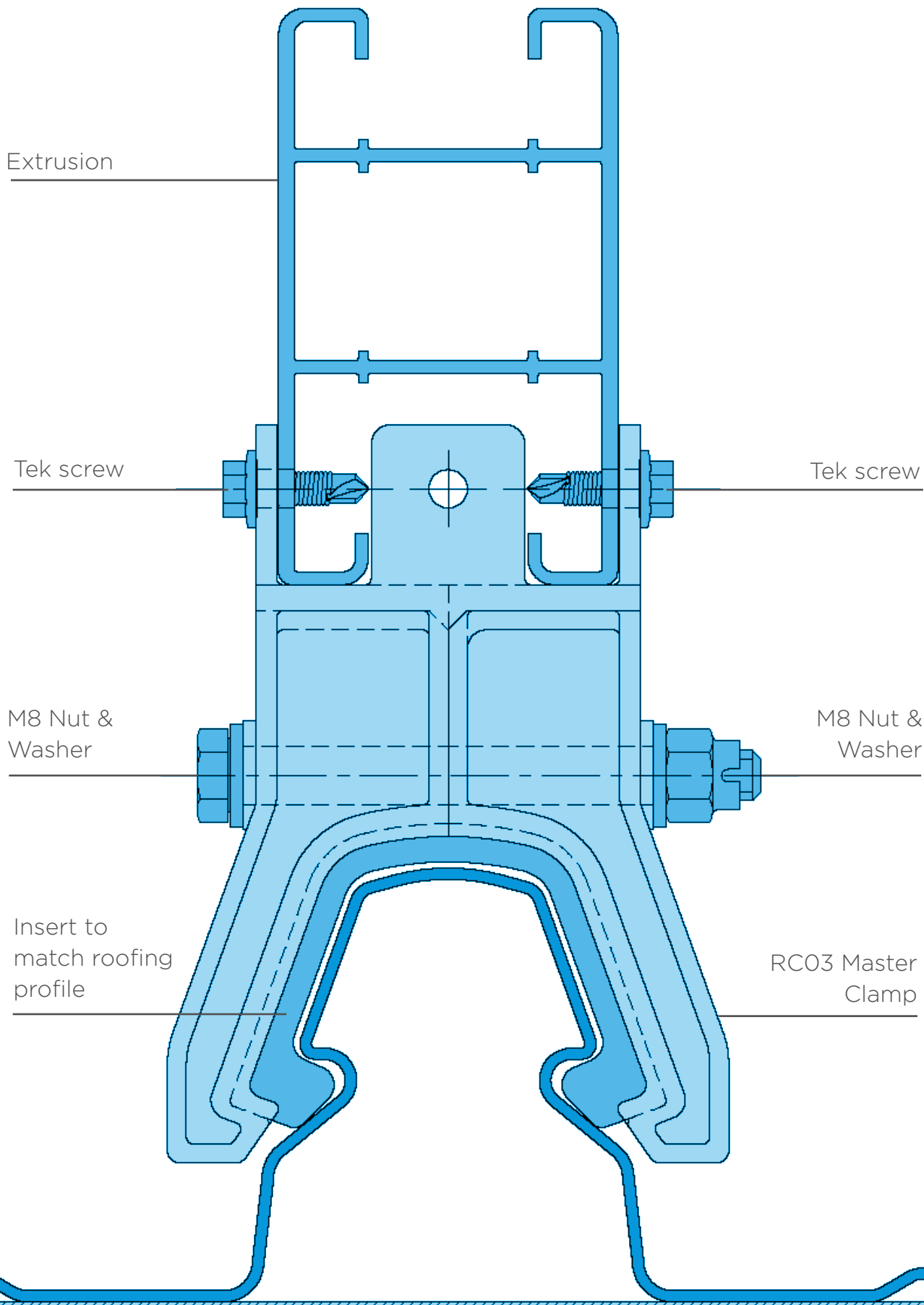
RC01 JACKSTUD FIXING.



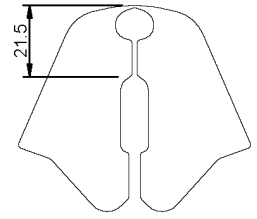
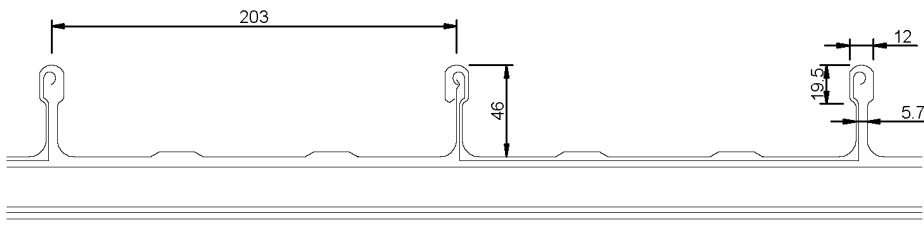
RC01 MEMBRANE PLINTH FIXING.



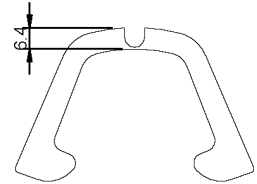
RC03 CLAMPED-STYLE FIXING.



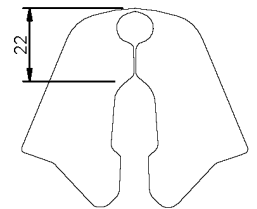
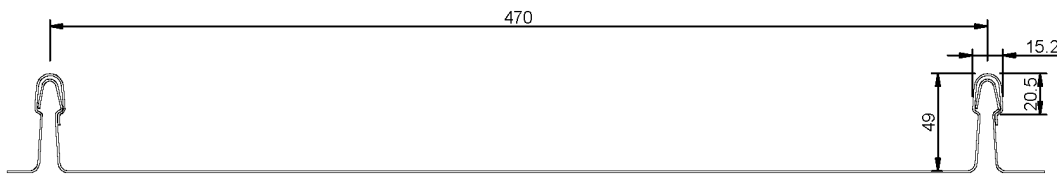
DIAMOND 400



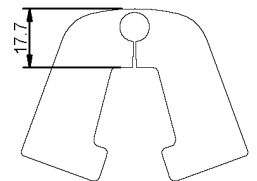
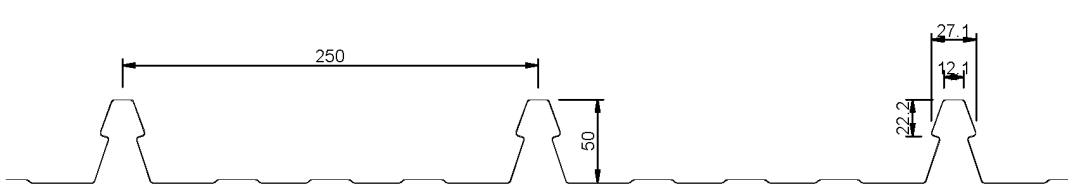
DIAMOND 630



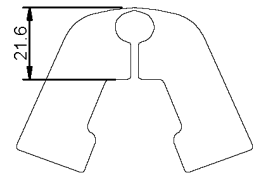
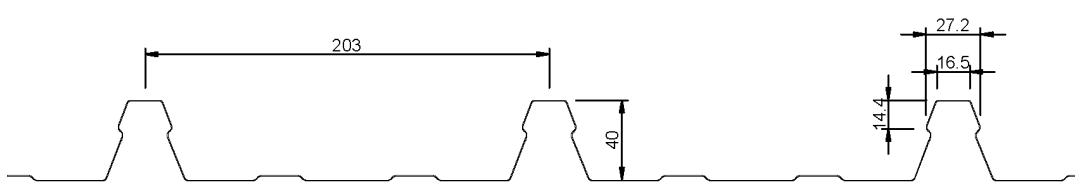
ESPAN470



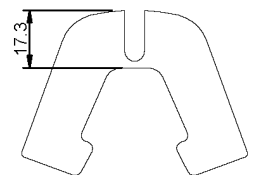
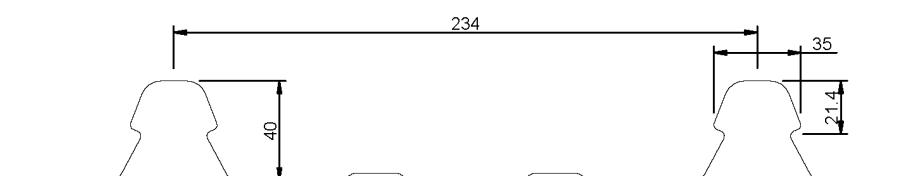
HI-RIB



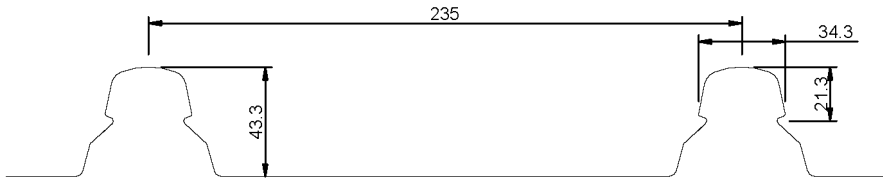
KLIPILOK



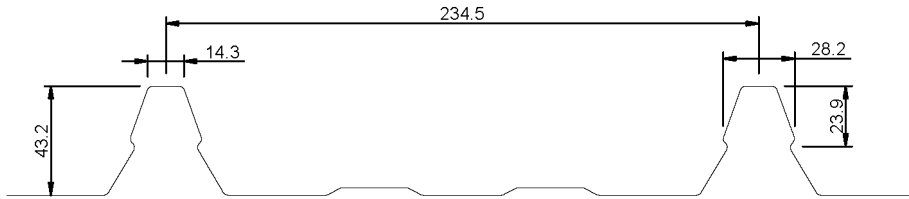
KLIP LOK 700



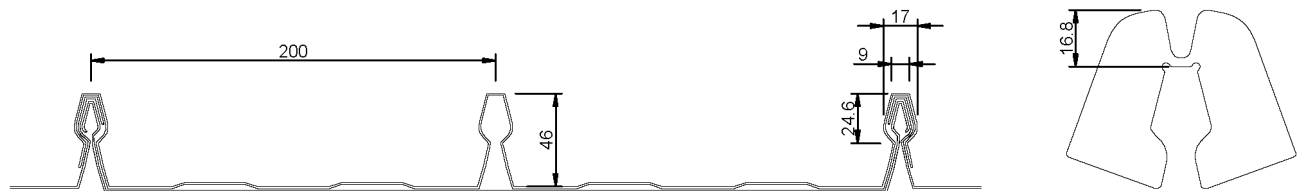
KLIP LOK 700 HI-STRENGTH



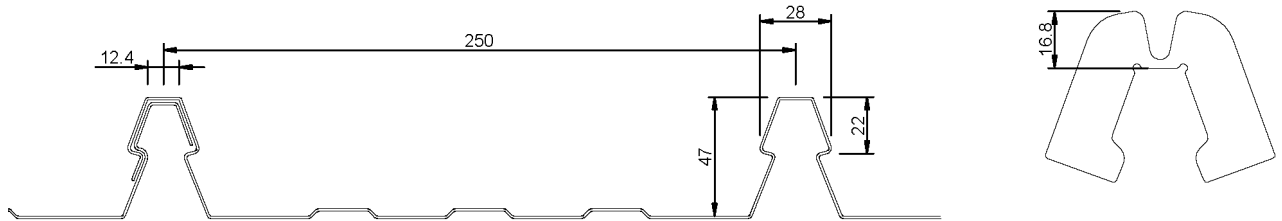
KING KLIP



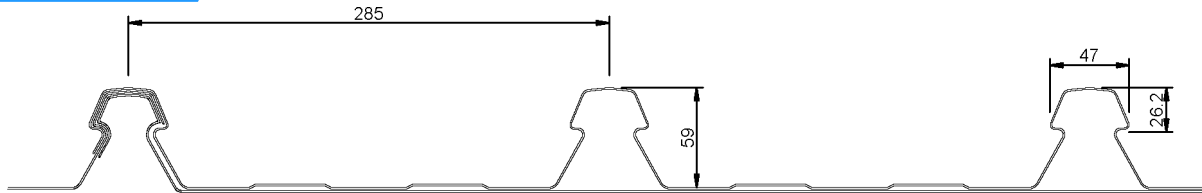
METDEK 400



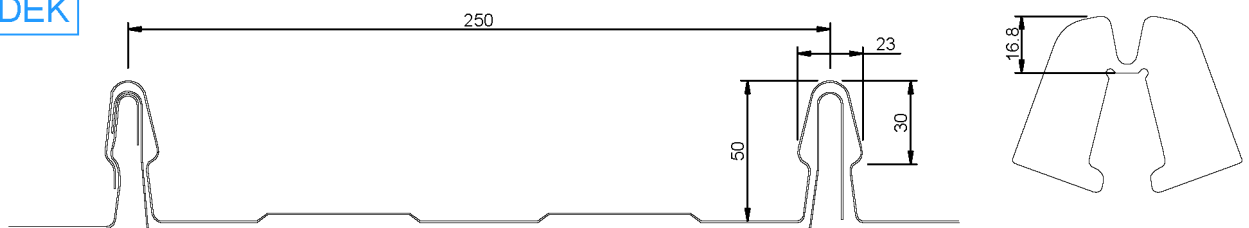
METDEK 500



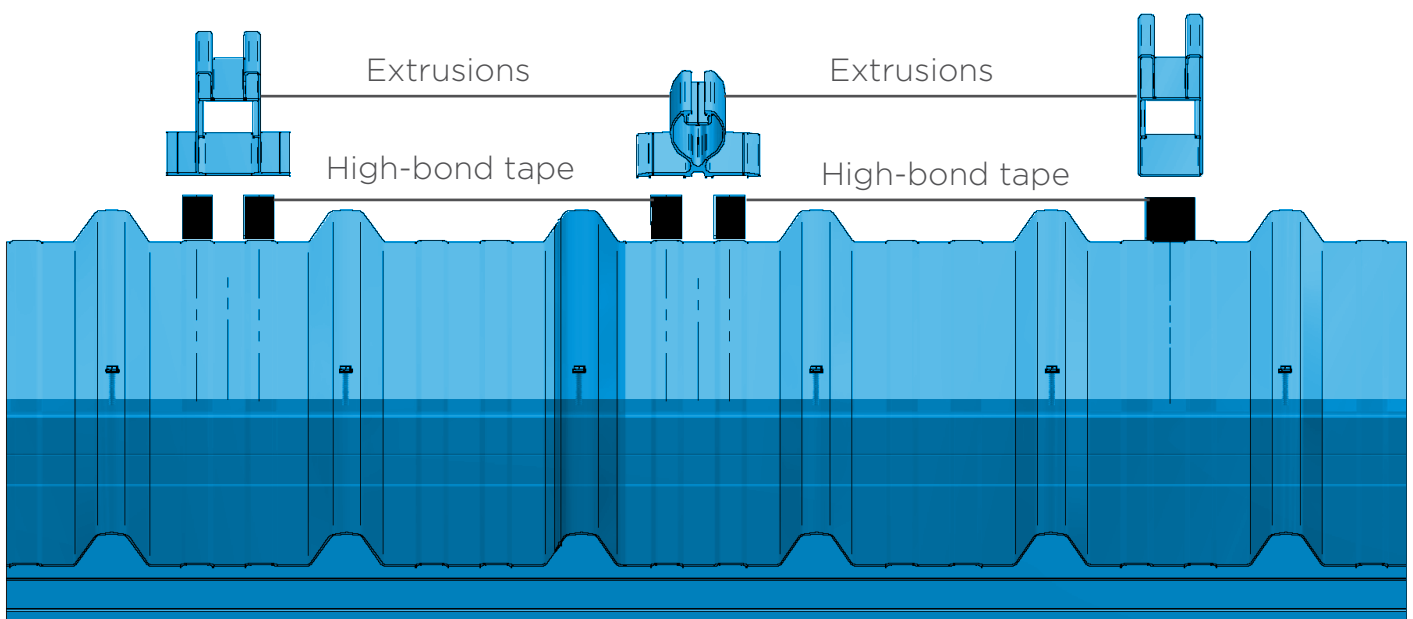
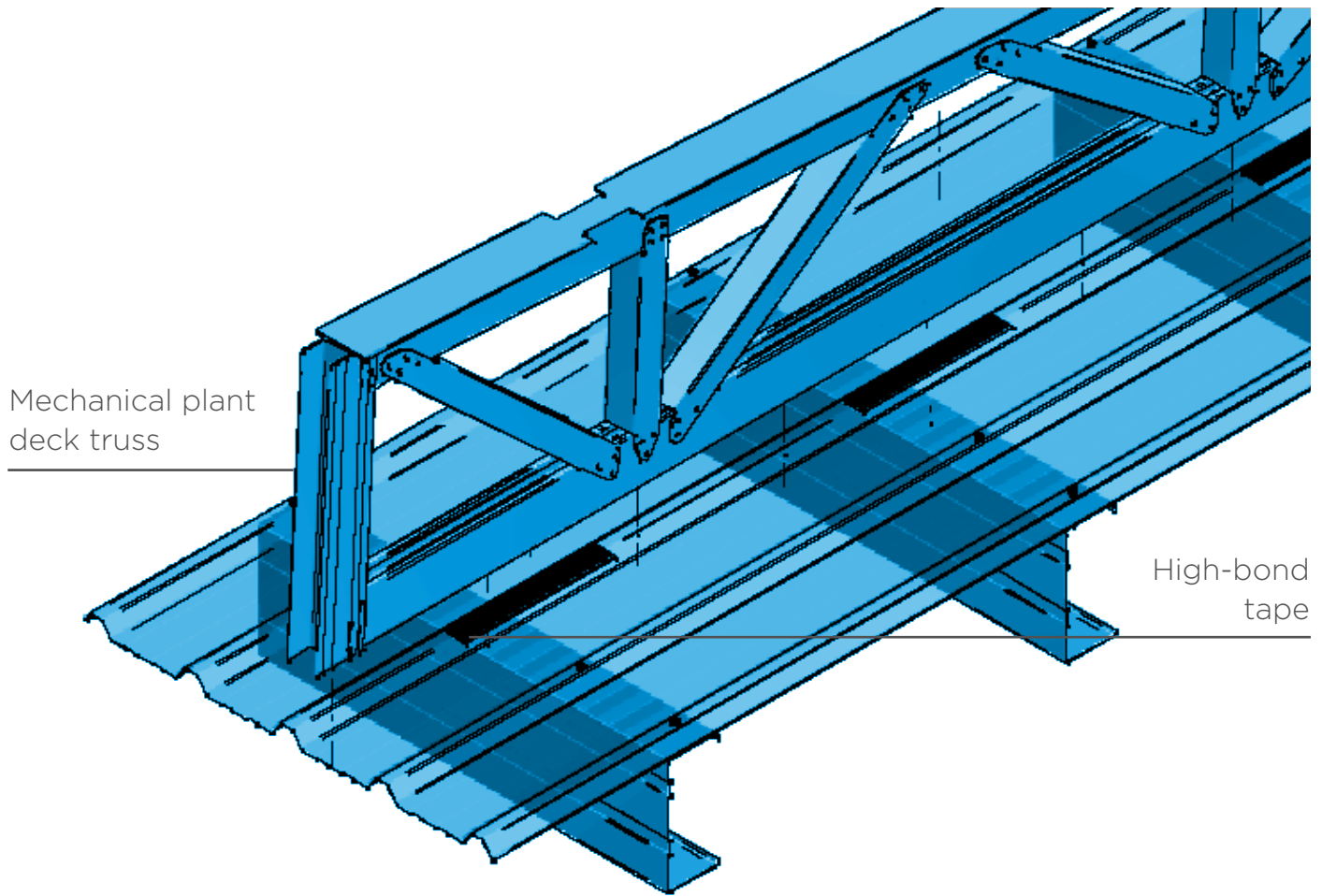
METDEK 855



MULTIDEK



HIGH-BOND CONSTRUCTION ADHESIVE TAPE.



SMARTGRIP FOOT.

Extrusion

Tek screws x 4

Penny Washer

Polyethylene Roofing Clip

Square frame foot and base

