

ITP and QA Checklist.

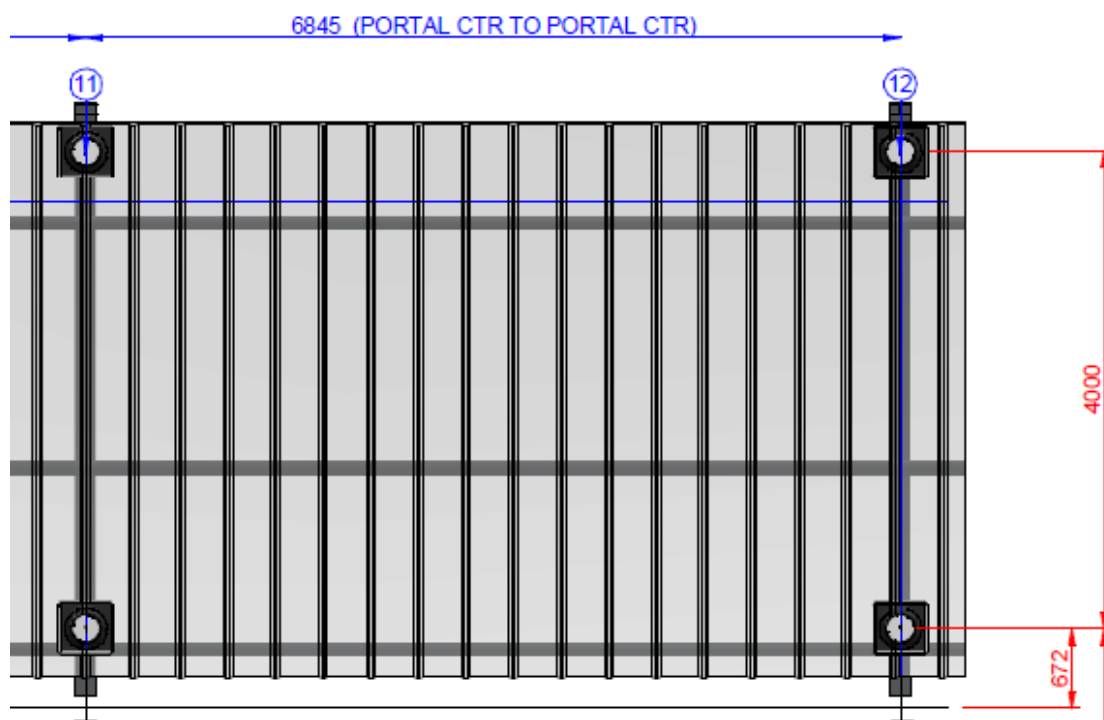
(Read before installation)

1. Installer to check and confirm that all aspects of the work is in accordance with Monkeytoe installation procedures and expected quality outcomes and tolerances noted below.
2. This document is to be returned to Monkeytoe at the completion of the job.
3. This document to be read in conjunction with shop drawings and detailed installation instructions

Job Name/Stage: _____

GENERAL MOUNTING STUBS INSTALLATION.

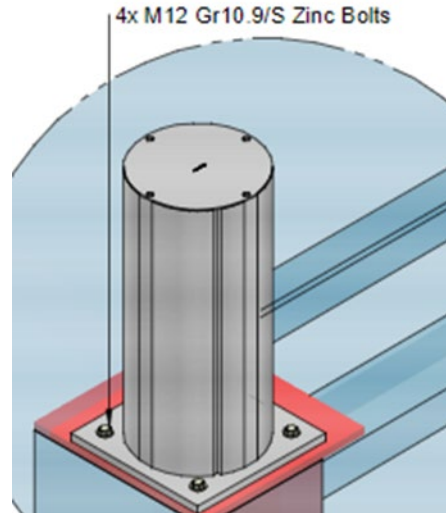
1. Mark out on portals where the platform stubs are installed to be within ± 10 mm accuracy of the layout drawings
 YES NO





2. Mounting Holes(if required) drilled in portal are 2 mm larger than the thread size specified on the supplied assembly drawings

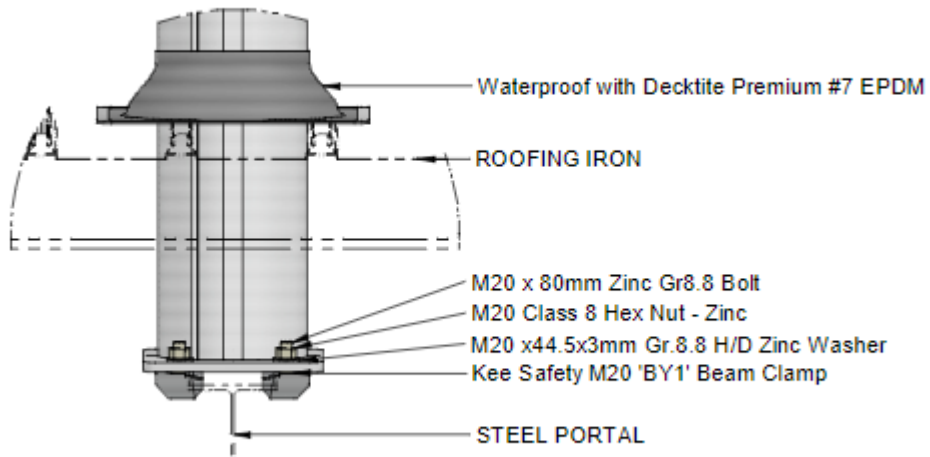
YES NO



3. All Support stubs and the fasteners for each, assembled in the correct order as shown on the drawings (and any supplied beam clamp instructions) and tightened to the engineer’s specifications.

YES NO

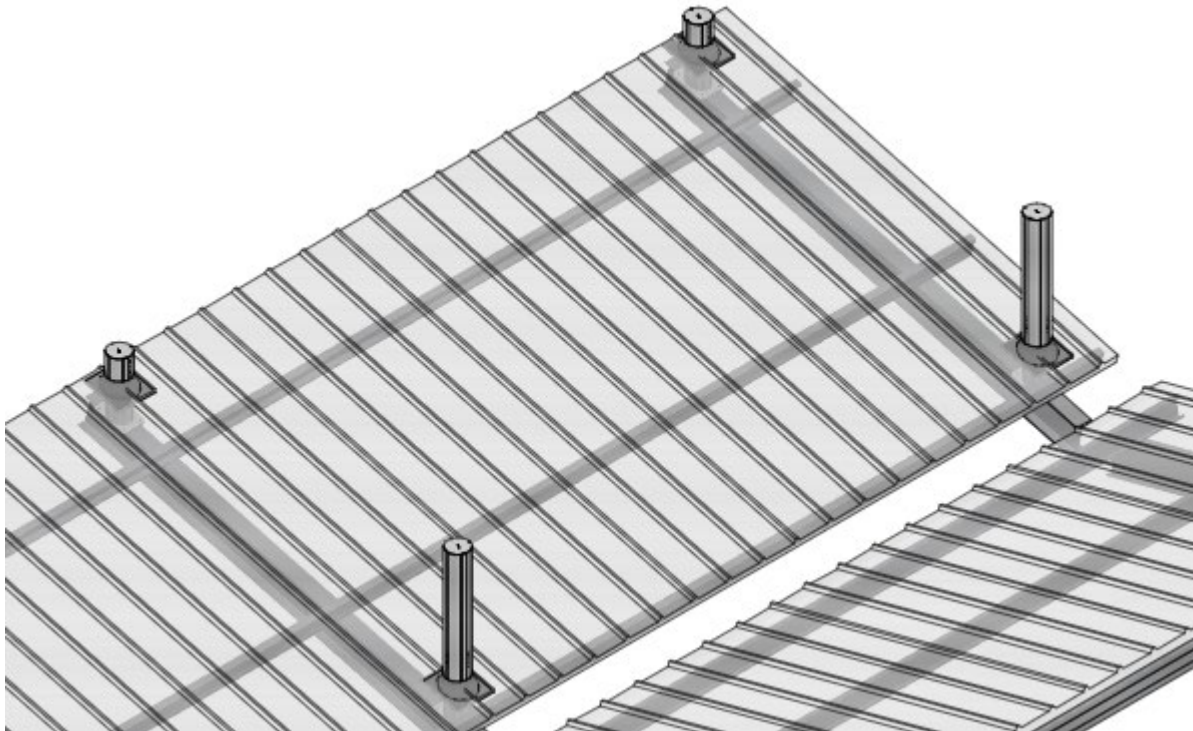
NOTE: If specific instructions regarding tightening torque are not supplied all bolts shall be tightened to ‘fully tightened’ for the grade supplied as defined by AS 4100. These values are also available in the Ajax Faster handbook.



DETAIL 7
1:10

4. Platform Stubs are installed to be within ± 10 mm Accuracy of the layout drawings and Supplied Flashings are fitted.

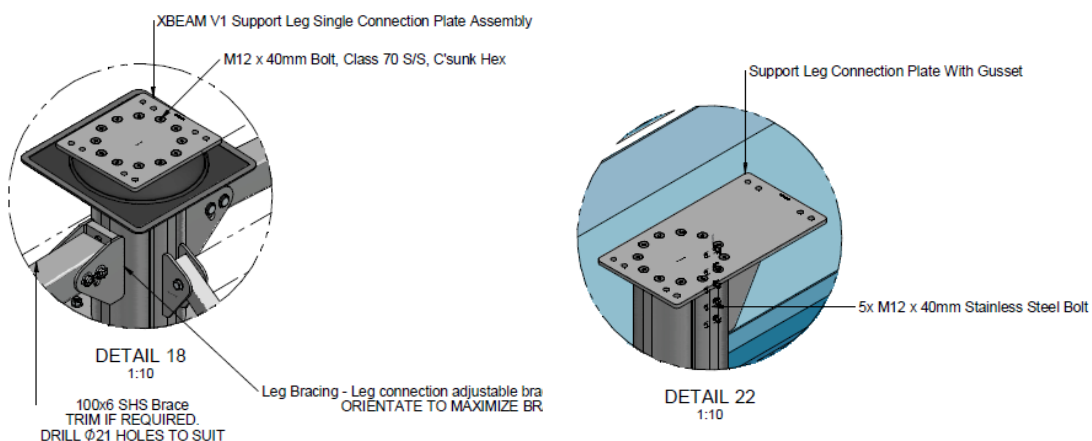
YES NO



5. The connection plates are installed as shown on the assembly drawing with the brackets aligned in the correct position, the countersunk fasteners tightened according to the engineers specifications and all the plates are within ± 10 mm of level unless shown otherwise on the assembly drawing.

YES NO

NOTE: If specific instructions regarding tightening torque are not supplied all bolts shall be tightened to ‘fully tightened’ for the grade supplied as defined by AS 4100. These values are also available in the Ajax Faster handbook.



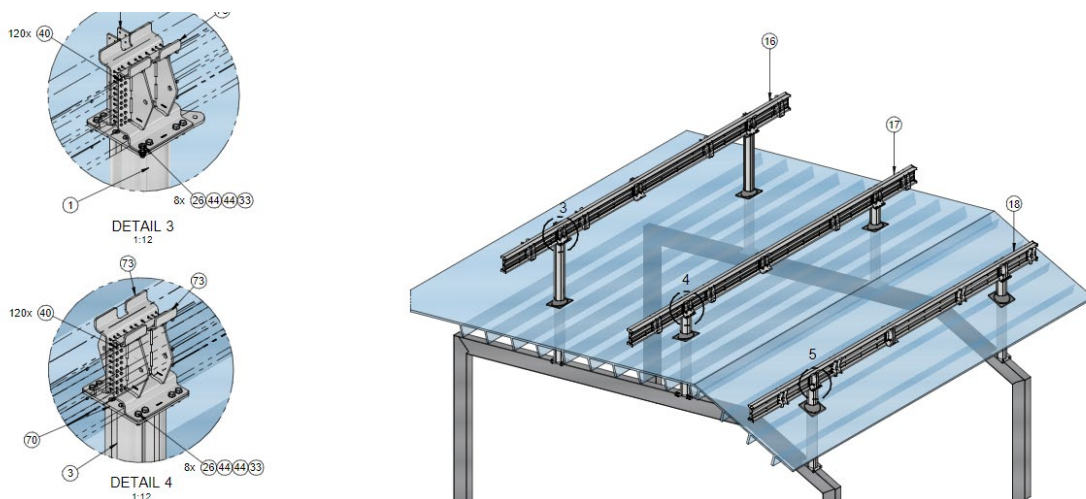
GENERAL MAIN SUPPORT STRUCTURE INSTALLATION.

6. The Primary (large) beams are installed onto the mounting stubs with the correct size and grade fasteners as shown in the supplied assembly drawings, ensuring that each location detail is fitted as shown and all the holes have fasteners installed in the correct order. All fasteners tightened to the and tightened to the engineer's specifications.

YES NO

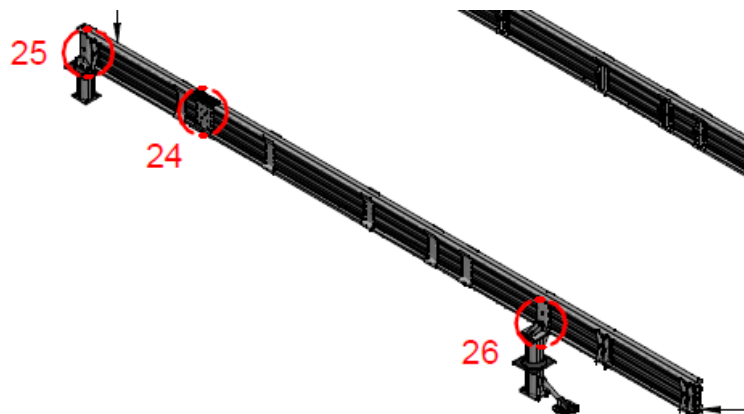
NOTE: If specific instructions regarding tightening torque are not supplied all bolts shall be tightened to 'fully tightened' for the grade supplied as defined by AS 4100. These values are also available in the Ajax Faster handbook.

TIP: When installing the bolts ensure you have a pointy podge or jimmy bar to align the holes and drop all the bolts through from the top before tightening.



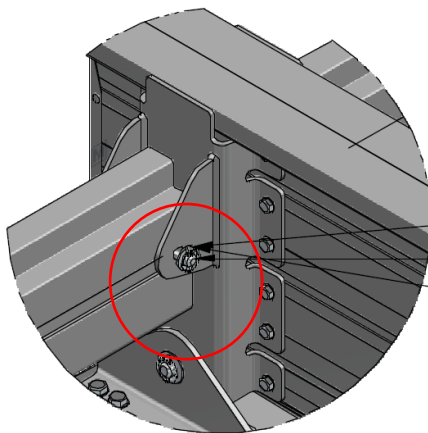
7. All the brackets on the primary beam including the factory installed ones are undamaged, have all fasteners installed correctly and the correct beams are in the position as shown on the assembly drawing.

YES NO



8. All secondary bearers are connected to the connection bracket and the pin is locked.

YES NO



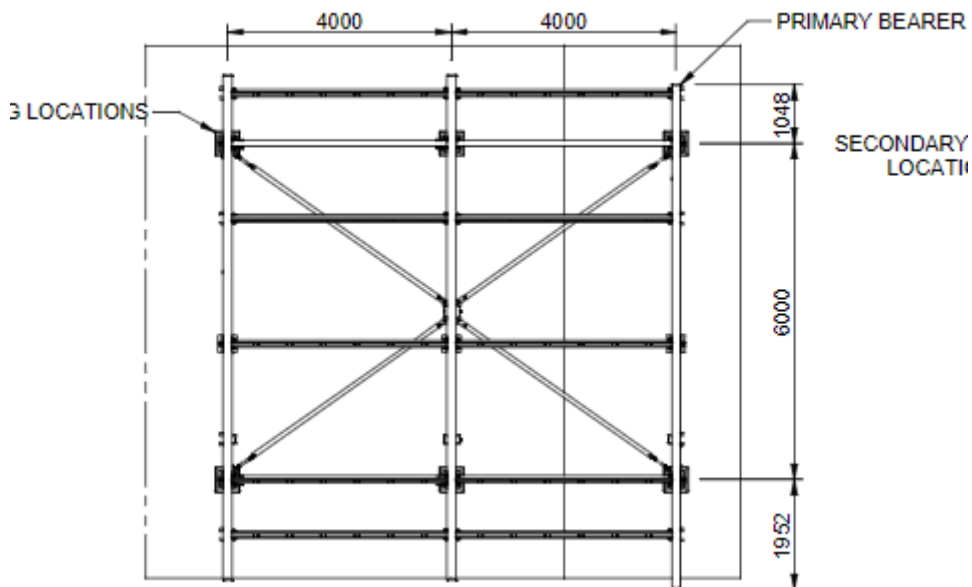
DRILL ϕ 21 HOLE TO SUIT

- 2x M20 x 37 x 3mm Stainless Steel Washer
- M20x183mm (171mm Effective), A2-70 304SS Clevis Pin
- ϕ 6mm Lynch Pin fixing - 316 Stainless Steel

9. All main frame dimensions are as per the assembly drawing (as shown below), the Primary bears are positioned in line and to an accuracy of ± 5 mm and corner to corner measurements show the platform to be within ± 10 mm of square

YES NO

NOTE: This must be done prior to the installation of the decking rails and mesh as it will not be able to be adjusted after this.

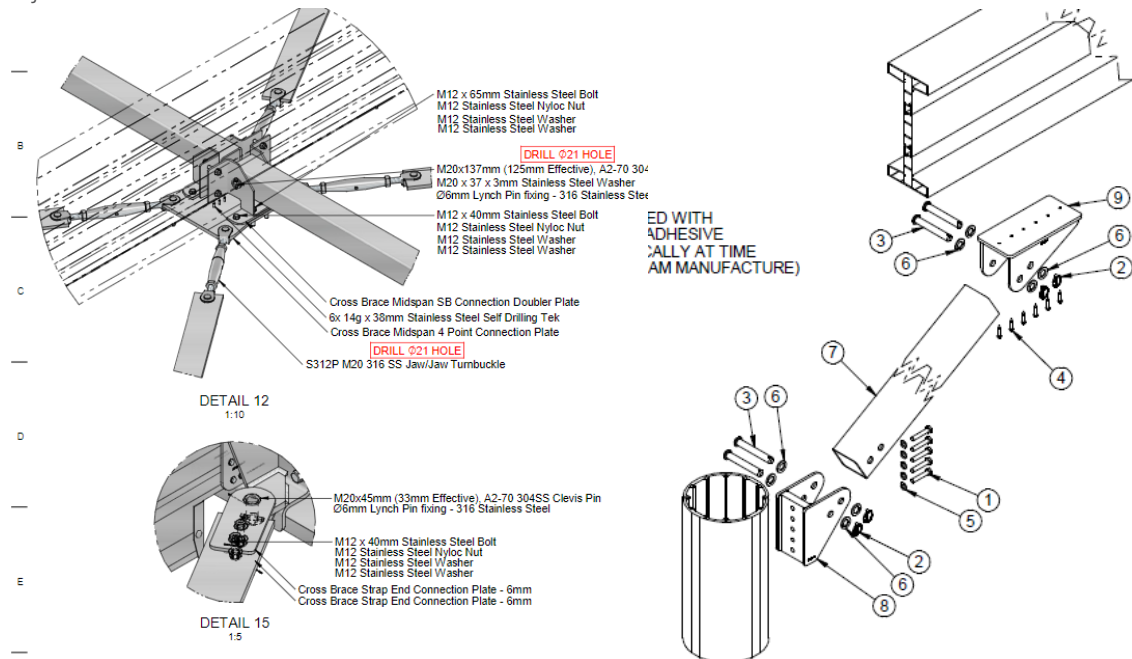


10. If Shown on the assembly drawing all cross braces and leg braces are fitted as per the assembly drawings with the correct fasteners and tightened to the engineers specifications.

YES NO



NOTE: If specific instructions regarding tightening torque are not supplied all bolts shall be tightened to ‘fully tightened’ for the grade supplied as defined by AS 4100. These values are also available in the Ajax Faster handbook.

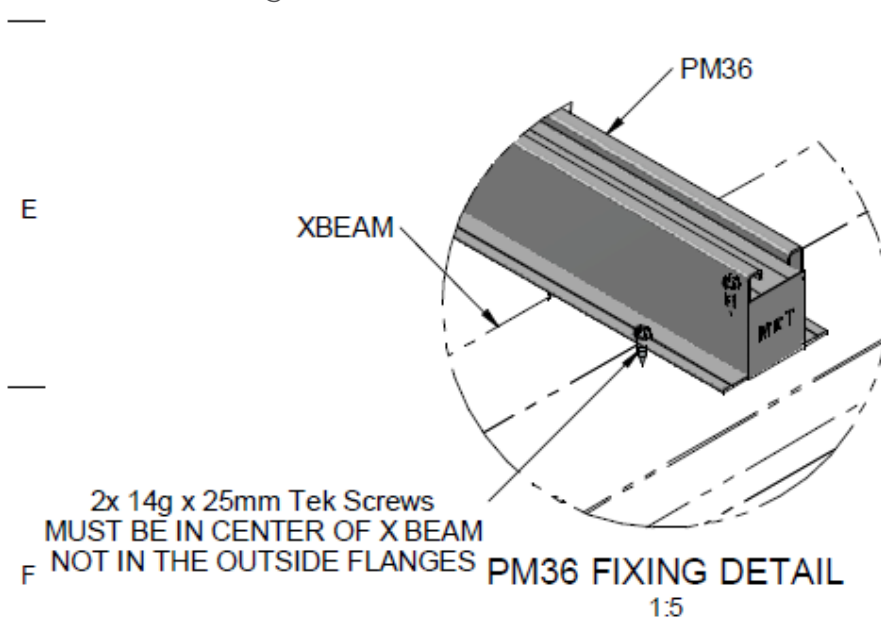


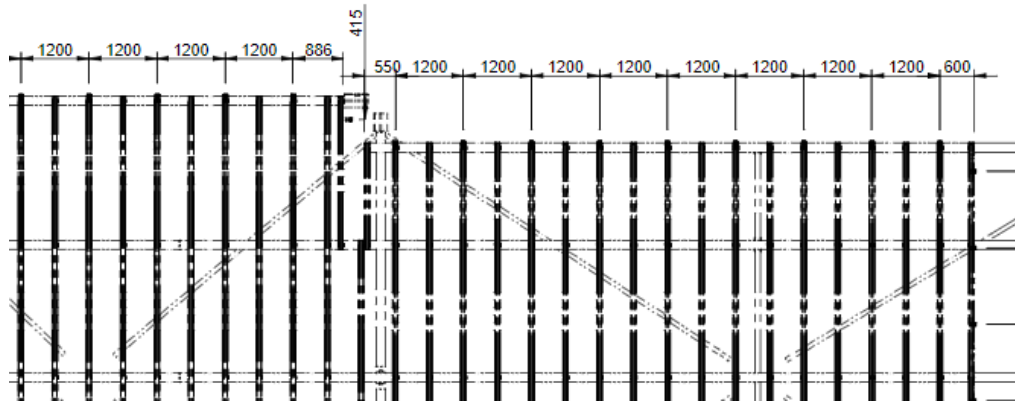
GENERAL MAIN SUPPORT STRUCTURE INSTALLATION.

11. Deck rails are attached with 2x teks at each primary bearer within +/- 10mm of specified centres.

YES NO

NOTE: The tek screws MUST be installed in the centre of the beam as shown below or damage could result.



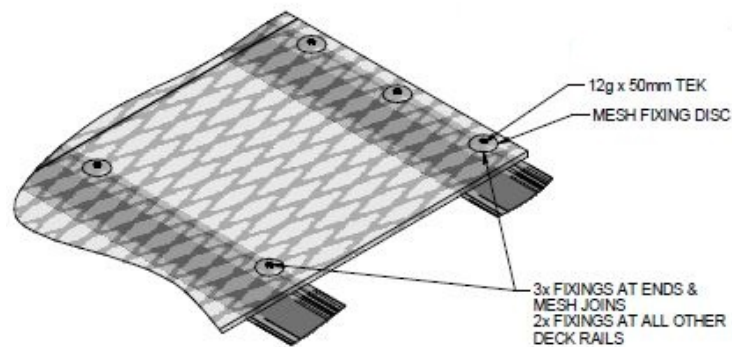


12. PEC35 end caps are securely fitted at each end of deck rail

YES NO

13. Mesh floor has been fixed with 3x tek screws on all ends & joins, and 2x tek screws at all other deck rails

YES NO



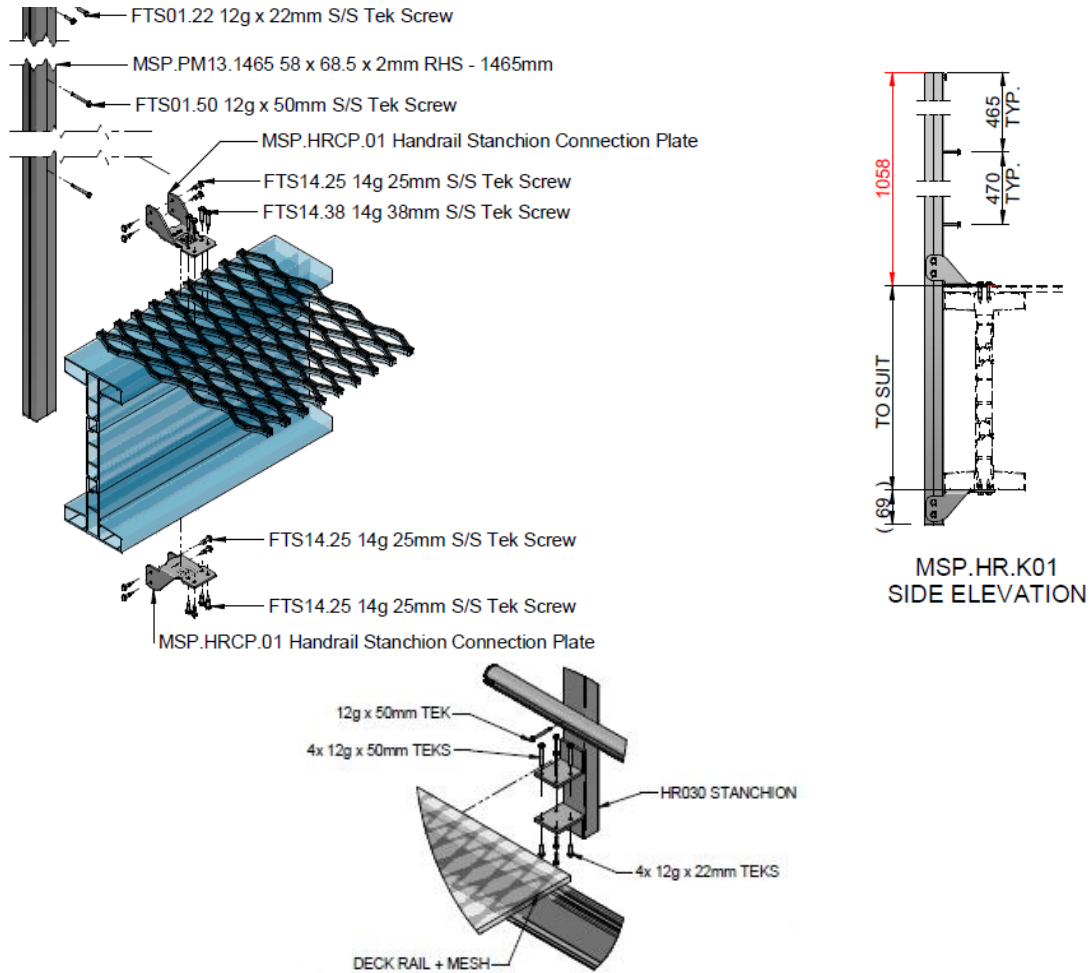
14. Overall length and width of platform is within +/- 20mm down the roof and +100/-25mm across the roof

YES NO

GENERAL GUARD RAIL INSTALLATION.

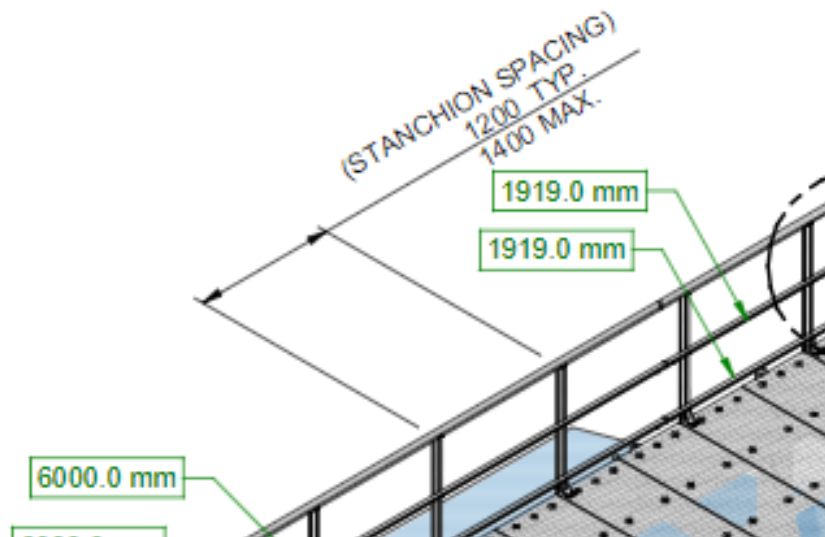
15. Guard rail posts are securely fixed to deck rails with 4 x 22 tek screws and 4 x 50 mm tek screws and to primary bearers with 4 x 14g x 38 mm + 4 x 14g x 25 mm tek screws

YES NO



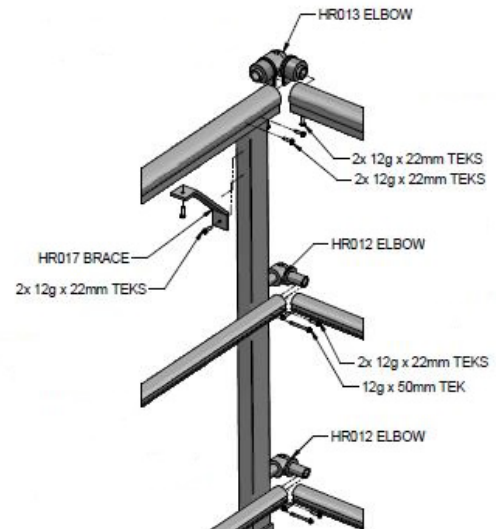
16. Guard rail spacing is within design limits at platform sides and ends

YES NO



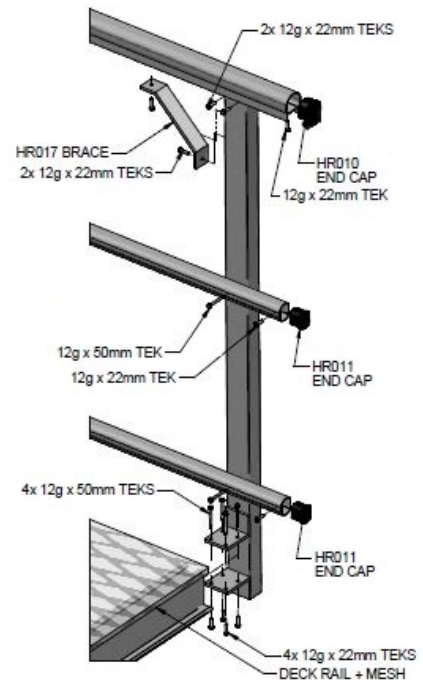
17. Guard rail and corners are securely fixed in position with correct quantity of fixings recessed where possible (fixings must be on the inside of the platform)

YES NO



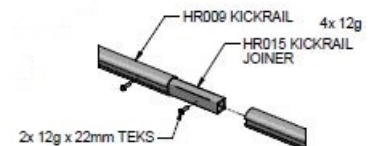
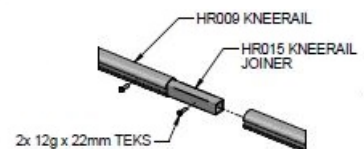
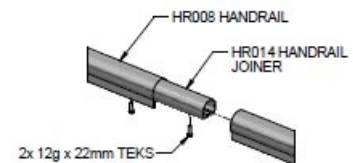
18. Guard rail endcap fixings are securely fixed in place with tek screws recessed where possible

YES NO



19. Guard rail joiners are inserted and connected securely with hidden or recessed fixings

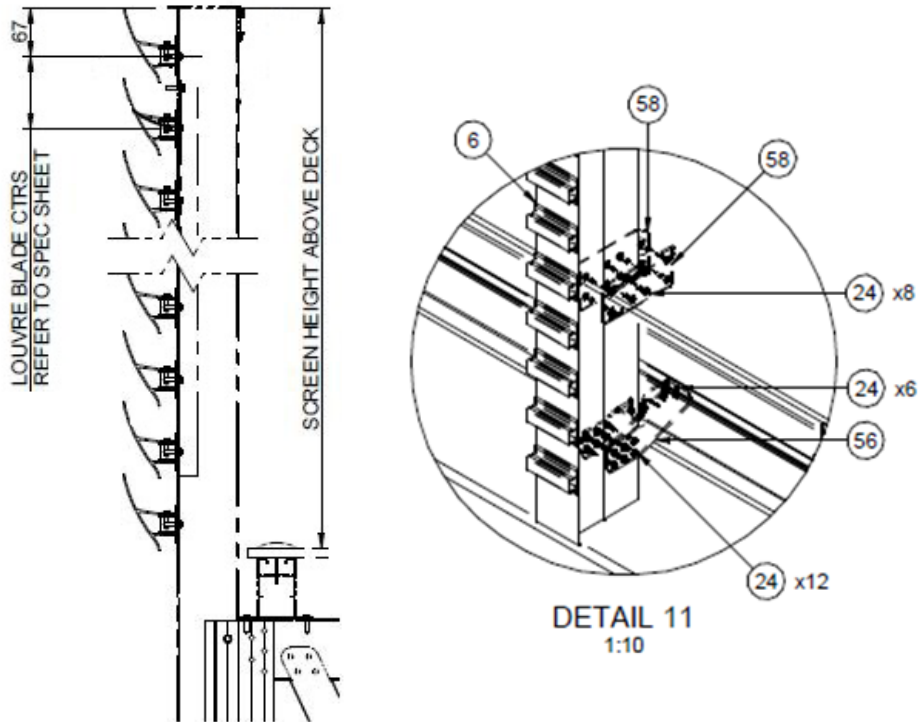
YES NO



GENERAL SCREEN SUPPORT INSTALLATION.

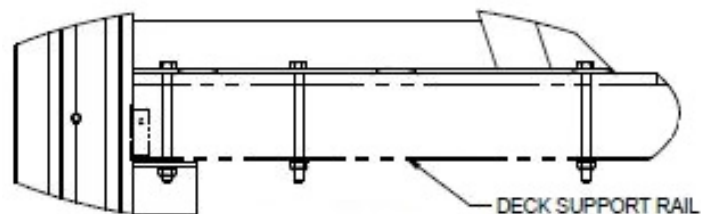
20. Truss end screen support posts are fixed with correct number of tek screws according to the assembly drawing (maximum tolerance for screen height above deck is +50mm/-20mm from design/shop drawings. Maximum tolerance for alignment is 8.7mm per metre or .5 degrees up to maximum 25mm from vertical in any direction)

YES NO



21. Side screen welded support brackets (where used) are connected to deck rails using 3x M10x130 stainless bolts

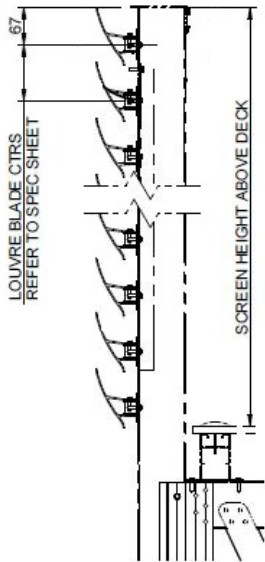
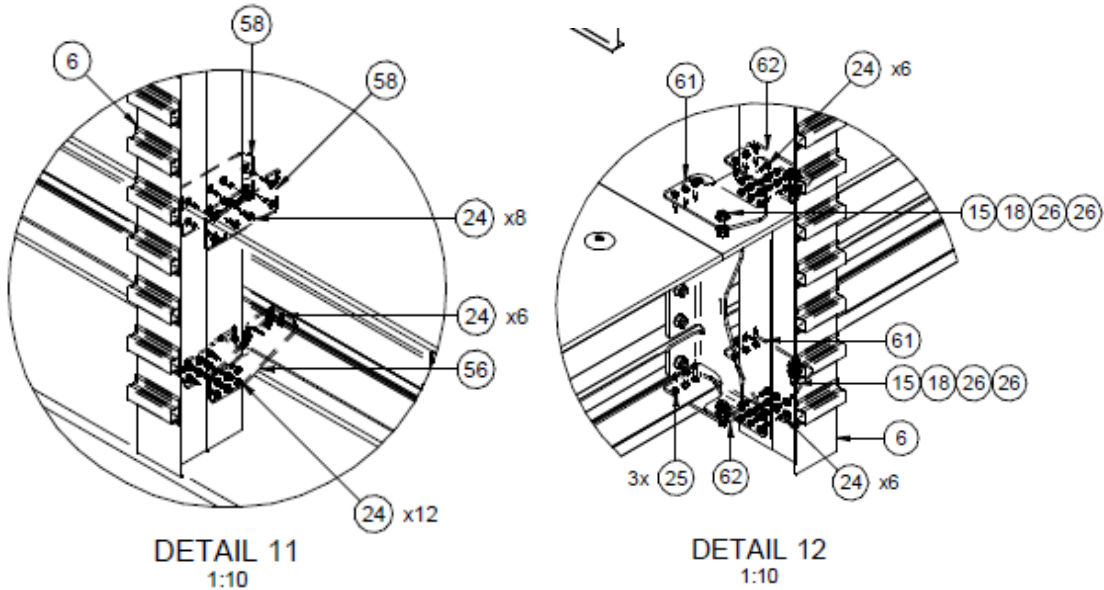
YES NO





22. Screen support posts are fitted with correct number of tek screws according to screen height
 (maximum tolerance for screen height above deck is +50mm/-20mm from design/shop drawings. Maximum tolerance for alignment is 8.7mm per metre or .5 degrees up to maximum 25mm from vertical in any direction)

YES NO

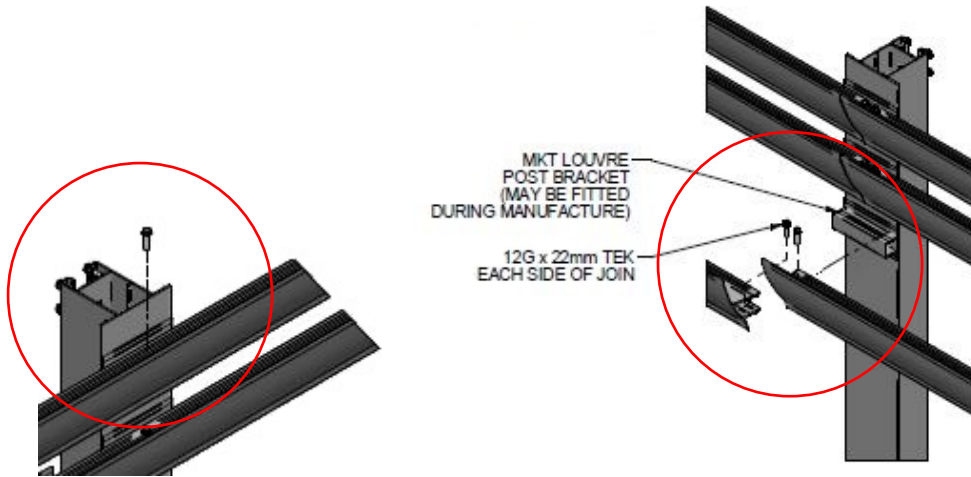


GENERAL LOUVRE BLADE INSTALLATION.

23. Louvre blades are attached to posts using teks to secure the blade to post after snapping into place

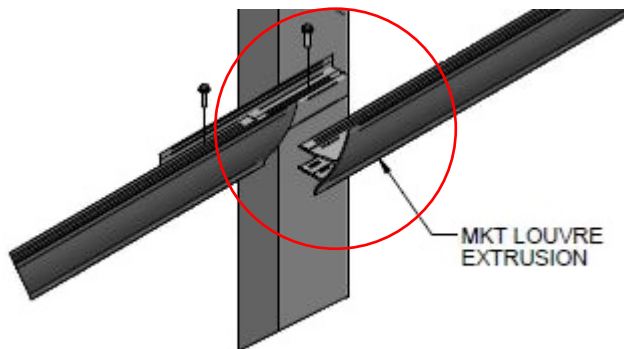
YES NO

Tip: start installing blades from the lowest row so that tek screws can be drive in from above before next blade is placed into position)



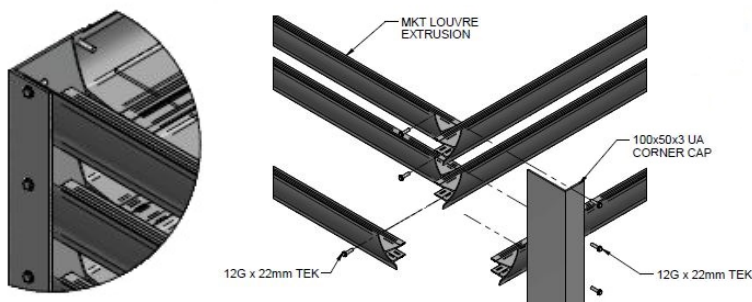
24. Any louvre joiners are correctly fitted with 2 tek screws according to installation instructions

YES NO



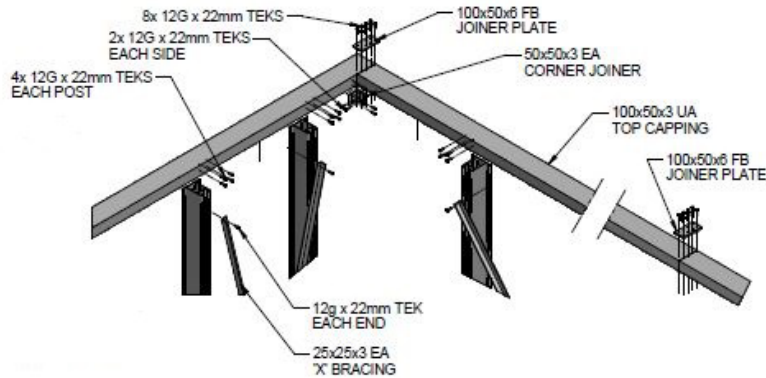
25. Corner capping has been fixed correctly with 1 x tek at each louvre blade

YES NO



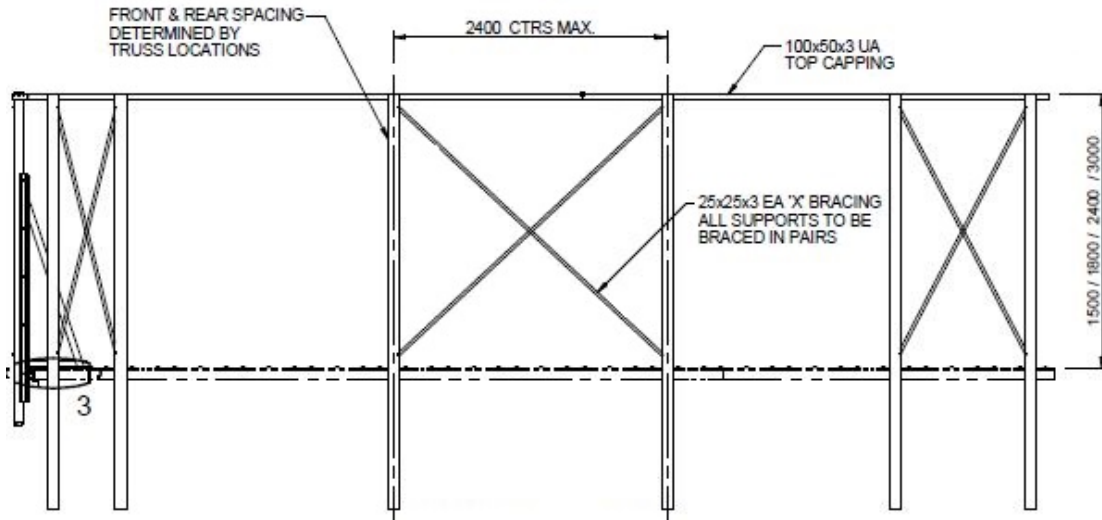
26. Top channel bracing has been installed for louvres 1500mm or higher as per installation instructions

YES NO



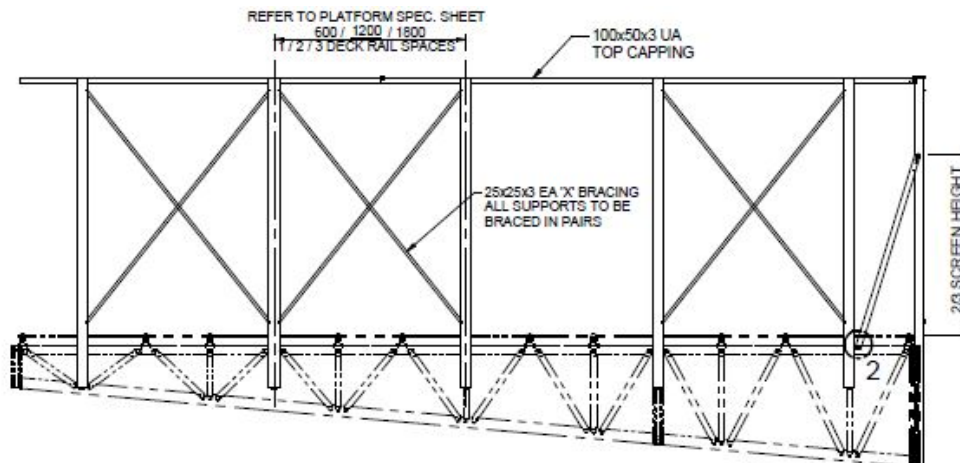
27. Front screen bracing has been fixed according to installation instructions

YES NO



28. Side screen bracing has been fixed according to installation instructions

YES NO

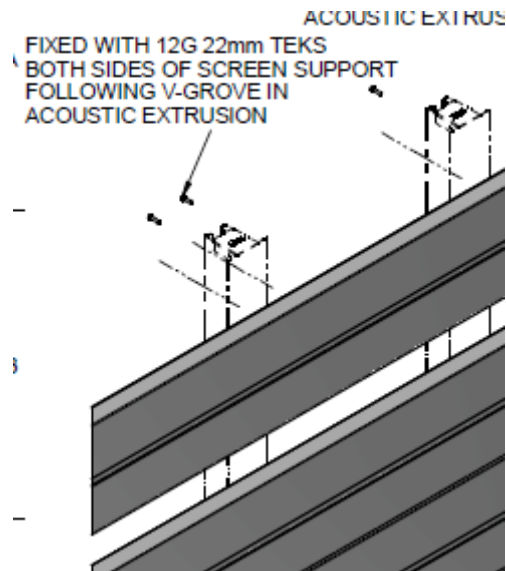


GENERAL HUSHMONKEY INSTALLATION.

29. Hushmonkey panels are attached to posts with 2 x 22 mm teks at the top and 2 x 22 mm teks at the bottom of each extrusion

YES NO

TIP: Start installing from the bottom up for ease of holding when fastening



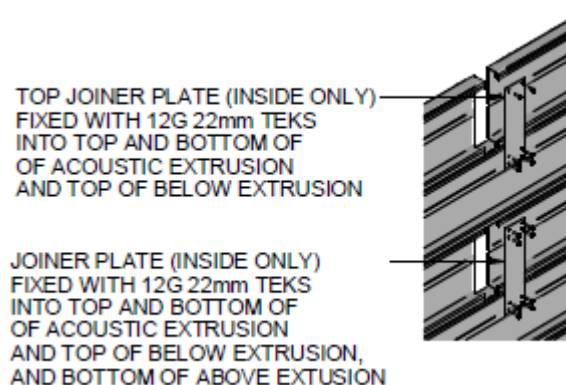
30. The joints in between the HushMonkey extrusion are sealed with an outdoor rated acoustic sealant if required in the drawings.

YES NO

TIP: This is simplest when applied to the lip of the first extrusion mounted and then next extrusion is installed onto it and the process repeated.

31. Joins are alternated and joiner plates are fastened on the back with 4 x 22mm teks

YES NO

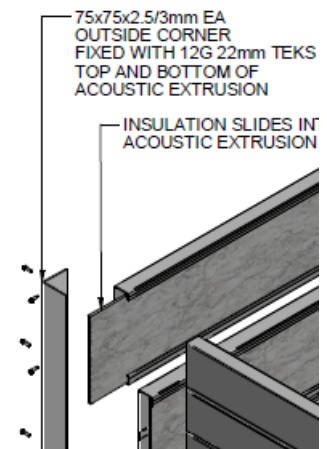


32. The Acoustic insulation (if specified) is fitted into the the extrusion with no gaps larger than 5 mm or tears

YES NO

33. Corner Angles are fitted with 2 x teks in every panel

YES NO



INSTALLATION SIGN-OFF AND CHECKLIST.

The work area has been cleaned and all Monkeytoe packaging has been removed from the roof

YES NO

Note:

All reasonable efforts to remove swarf and filings have been undertaken and the roof has been blown down

YES NO

Note:

The work area is free of any damage caused as a result of platform installation works

YES NO

Note:



All works have been completed in accordance with the above installation and quality requirements and have been checked by the Monkeytoe lead installer (Monkeytoe lead installer to sign).

NAME:

SIGN:

DATE:

The work performed satisfies practical completion of this stage and is to the client satisfaction (site supervisor or client representative to verify completed works and sign)

NAME:

SIGN:

DATE:
