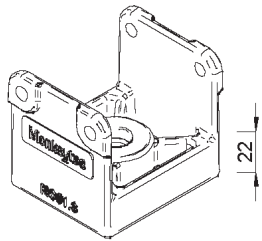


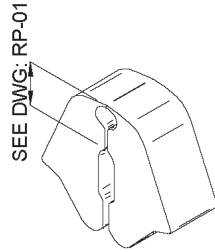


PARTS GUIDE.

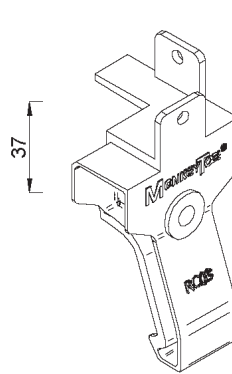
Roof Clip Components.



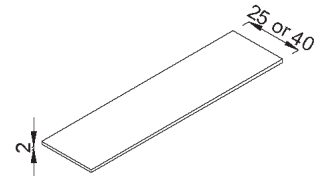
RC01.3
Top Fix Roof Clip



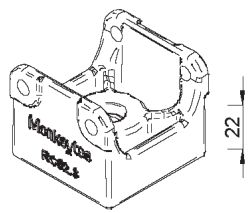
RC03.* Roof Clip Insert
SPECIFY ROOF PROFILE



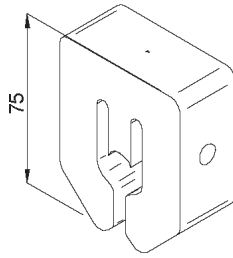
RC03
Hidden Fix Roof Clip



FAT.TSE*
Adhesive Tape
Available For Roofing Iron
Membrane And Chiller Panel



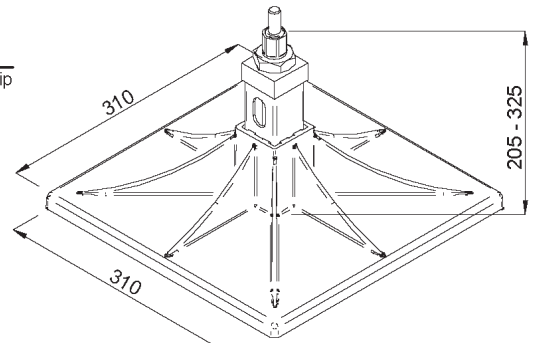
RC02.3
PM01 Top Fix Roof Clip



AC-MD400.30
Hidden Fix Clip

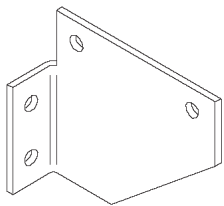


RC05.1
Roof Clip Tek Screw Insert

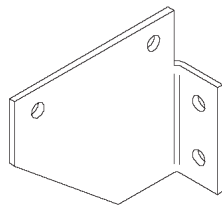


CSM.301
Smartgrip Foot

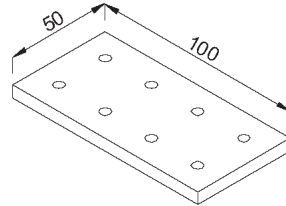
Standard Connectors.



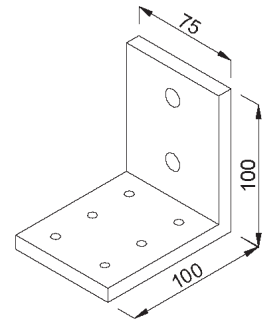
MP011.1
Bracing Plate



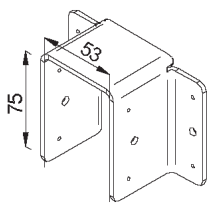
MP011.2
Bracing Plate



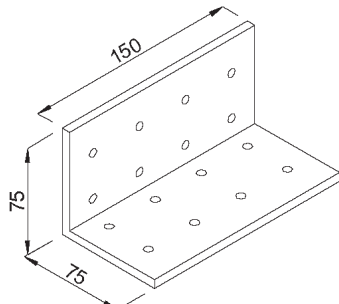
MP014
Connection Bracket



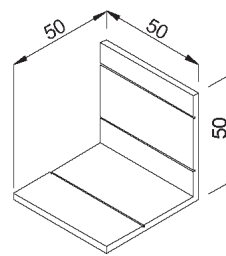
MP016
Screen Support Bracket



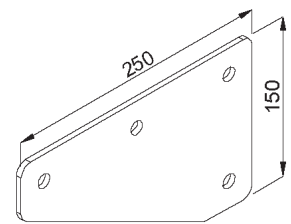
MP018
Perpendicular Joiner



EW011
Unit Rail Bracket



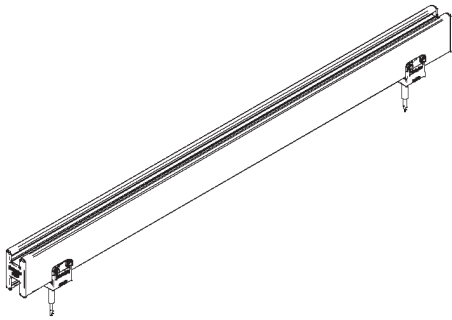
CS019
50 x 3 Connection Angle



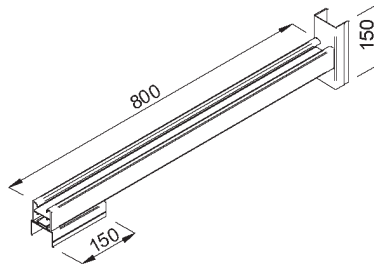
MPSS01.FP01
Screen Support Flange Plate



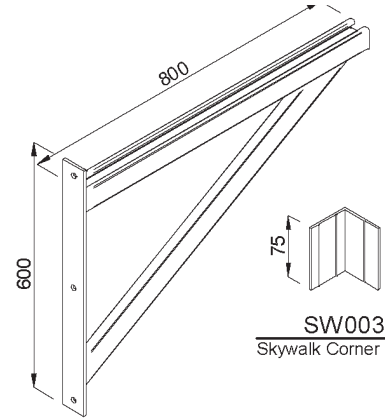
Walkway Components.



MW002
Smartwalk Support (PM03)
SPECIFY LENGTH AND ROOF PROFILE

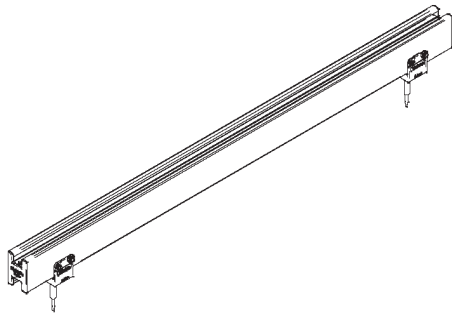


MW004.B
Walkway With Handrail Levelling Rail (PM02)

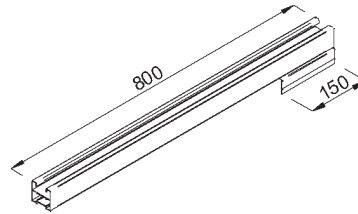


SW003
Skywalk Corner Joiner

XXXXX
Wall Mounted Support
SPECIFY WALL TYPE
AND STUD POSITIONS



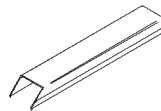
SW002
Skywalk Support (PM06 TYP.)
SPECIFY LENGTH AND ROOF PROFILE



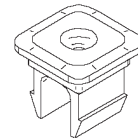
MW004.A
Walkway Levelling Rail (PM02)



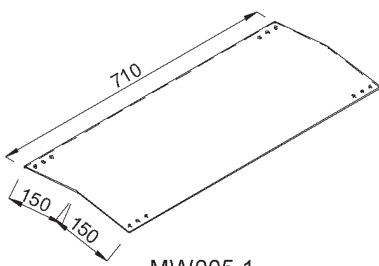
BW031
Mesh Washer



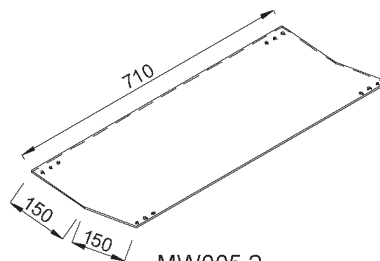
MW004.*
Walkway Levelling Upright
SPECIFY ROOF PITCH



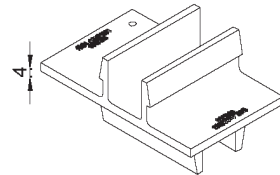
SW009
FRP Plug



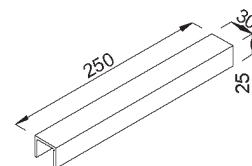
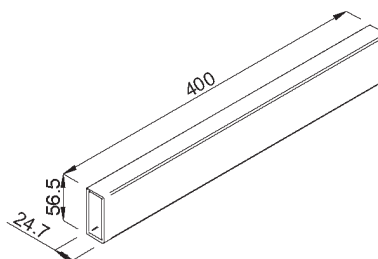
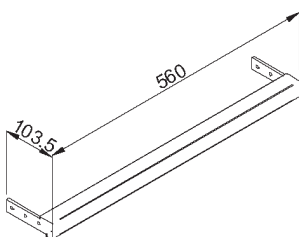
MW005.1
Checkerplate Ridge Cap



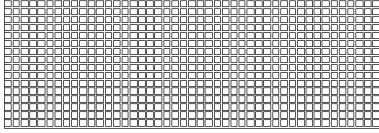
MW005.2
Checkerplate Valley Cap



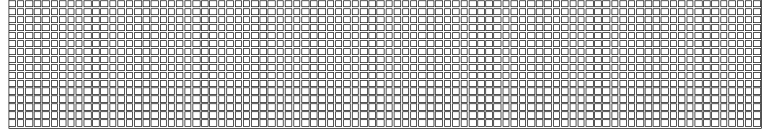
MW006
Walkway Clip



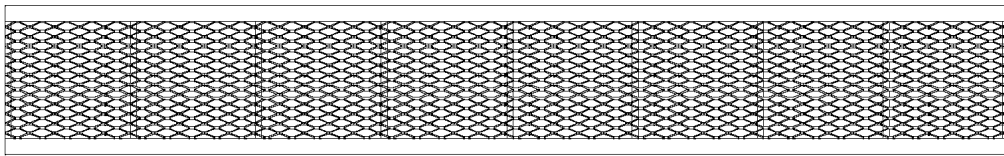
PARTS GUIDE.



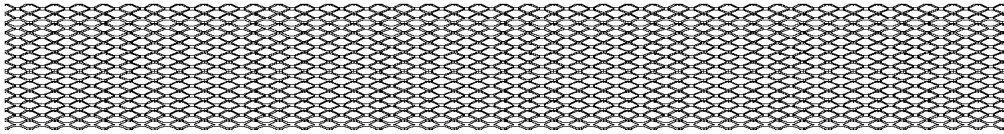
SW001.18
1800 x 615 x 15mm FRP Sheet
OTHER LENGTHS AVAILABLE



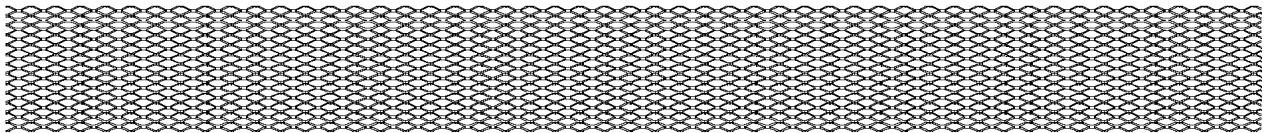
SW001.36
3600 x 615 x 15mm FRP Sheet
OTHER LENGTHS AVAILABLE



MW001.*
4800 x 710mm Aluminium Walkway
OTHER LENGTHS AVAILABLE

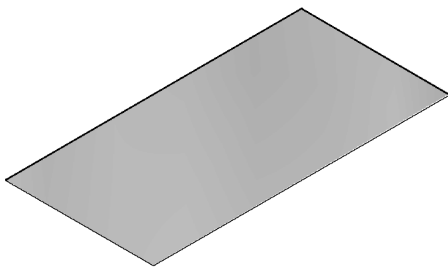


EW001.48
4800 x 600 x 13mm Walkway Mesh
OTHER LENGTHS AVAILABLE

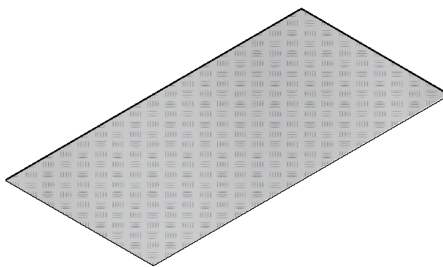


EW001.60
6000 x 600 x 13mm Walkway Mesh
OTHER LENGTHS AVAILABLE

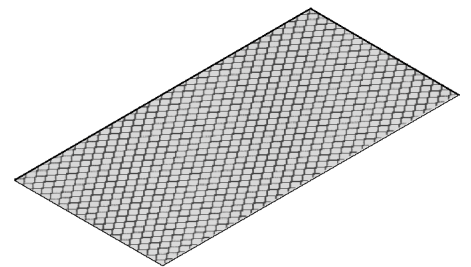
Sheet Metal.



PSH24.12.*
2400 x 1200 Flat Plate
Thickness: 3mm, 4mm, 5mm



PSHC03.24.12
2400 x 1200 Checkerplate
Thickness: 3mm, 4mm, 5mm



SEC1.2X2.0.60
2000 x 1250 x 6mm Securomesh



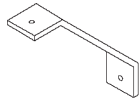
PARTS GUIDE.

Handrail Components.

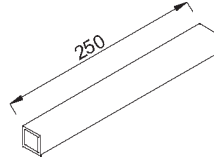
NON STANDARD STANCHIONS AVAILABLE ON REQUEST



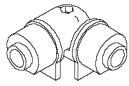
HR012
Kneerail Elbow



HR017
Handrail Cross Brace



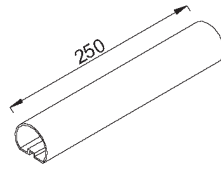
HR015*
Kneerail Joiner



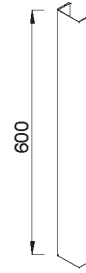
HR013
Handrail Elbow



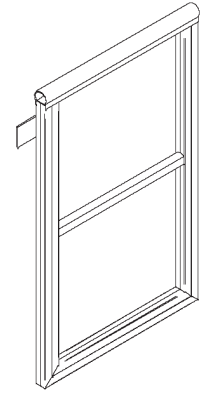
HR006.4
Stanchion Base Bracket



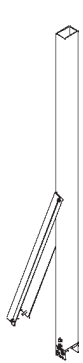
HR014*
Handrail Joiner



HR006.2
Stanchion Backstay



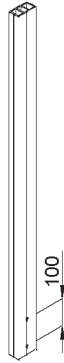
XXXXX
Welded Gate
SPECIFY DIMENSIONS



HR005.*
Stanchion And Backstay Kit
Standard Length: 1173mm, 1010mm



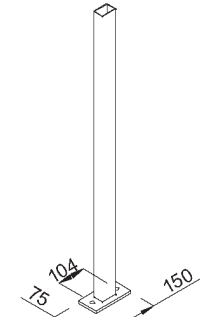
HR007.1
Wall Mounted Stanchion
Standard Length: 1258mm



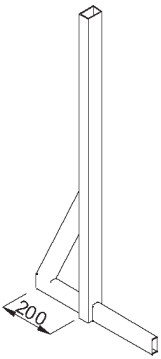
HR007.3
Heavy Duty Wall Mounted Stanchion
Standard Length: 1258mm



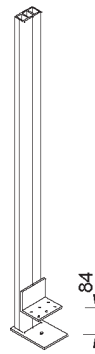
HR007.4
Offset Wall Mounted Stanchion
Standard Length: 1258mm
Standard Offset: 100mm



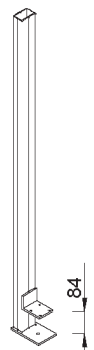
HR024.1
Base Mounted Stanchion
Standard Length: 1058mm



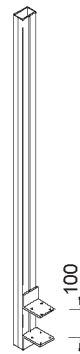
HR023*
Walkway End Stanchion
Standard Height Above Walkway: 1058mm



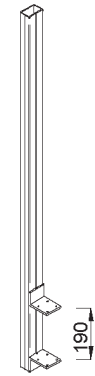
HR028
Heavy Duty Walkway Side Stanchion
Standard Height Above Walkway: 1058mm



HR029*
Walkway Side Stanchion
Standard Height Above Walkway: 1058mm



HR030*
PM36 + Mesh Stanchion
Standard Height Above Mesh: 1058mm

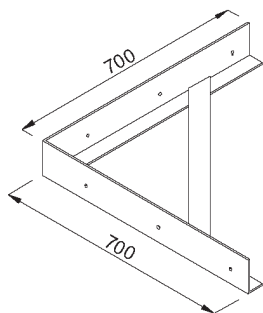


HR031*
PM36 + PM37 + PM36 + Mesh Stanchion
Standard Height Above Mesh: 1058mm

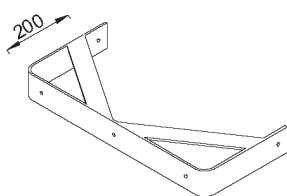


PARTS GUIDE.

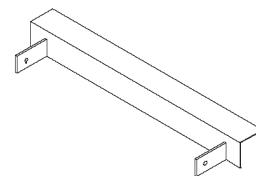
Ladder Components.



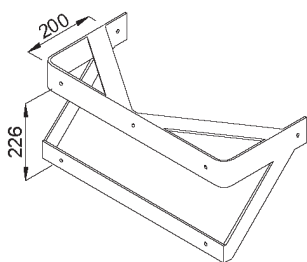
LD422
Side Mount Fixing Bracket



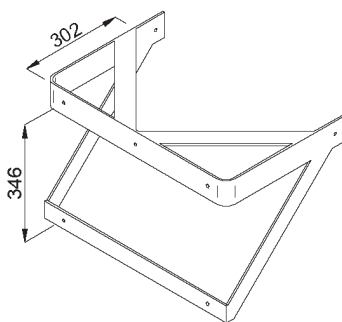
LD421.*
Ladder Fixing Bracket
Standard sizes: 280mm, 400mm, 600mm, 800mm



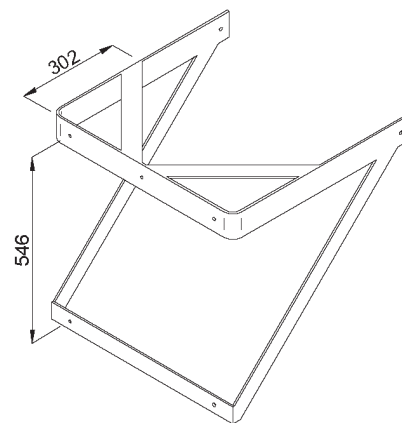
LD421.WB
Ladder To Walkway Bracket



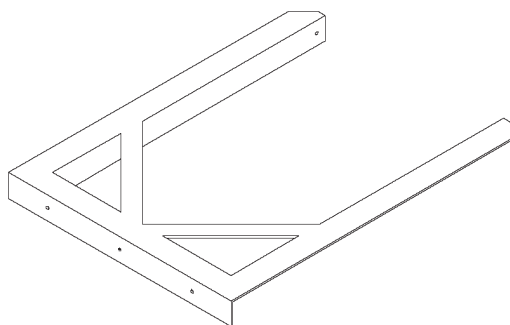
LD421.280BR*
280mm Ladder Bracket With Bracing



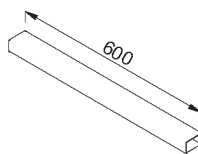
LD421.400BR*
400mm Ladder Bracket With Bracing



LD421.600BR*
600mm Ladder Bracket With Bracing



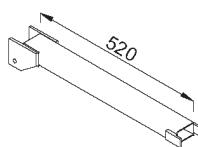
LD421.1000*
HD Ladder Fixing Bracket - 1000mm



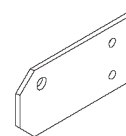
LD417*
Ladder Splice Join



LD009*
Ladder Foot Angle

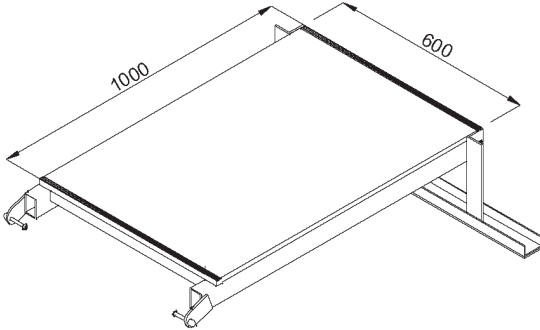


LD436
Ladder Head Safety Bar

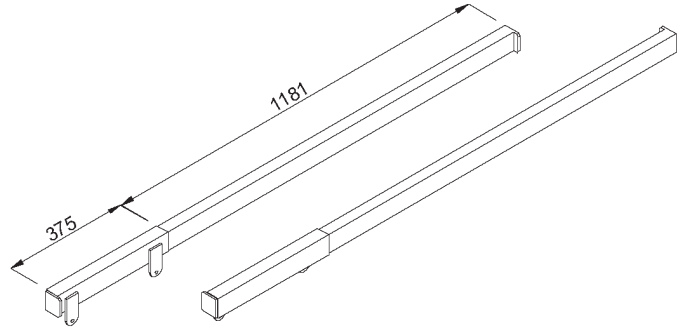


LD002.1*
Vertical Line Ladder Bracket

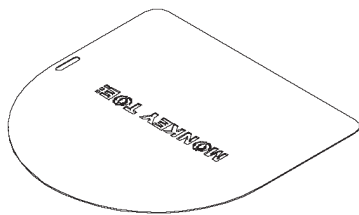
PARTS GUIDE.



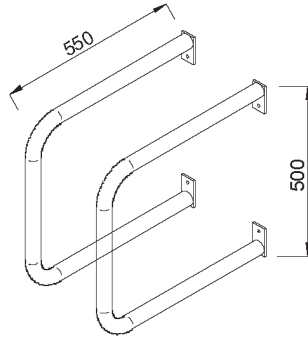
LD431A.1000
Adjustable Landing Kit



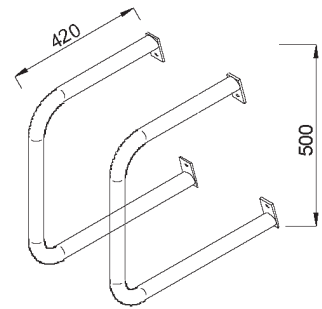
LD407*
Retractable Stile Set



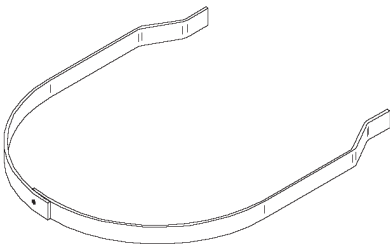
LD425* + LD425.FK
Ladder Cage Cover Plus Fixings



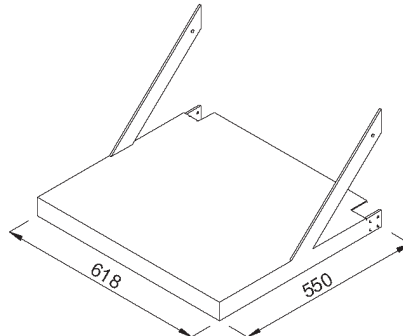
LD415*
Ladder Grabrail Set



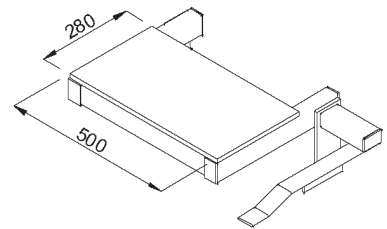
LD415.A
75° Ladder Grabrail Set



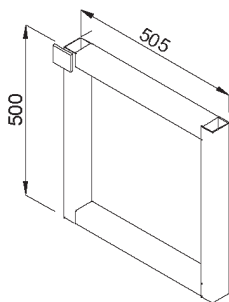
LD028
Ladder Cage Hoop Set



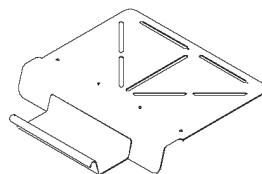
LD029
Parapet Platform



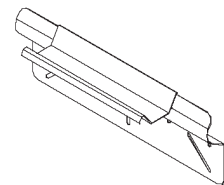
LD428
Fold Down Midway Rest Platform



LD026.2
Ladder Self Closing Gate



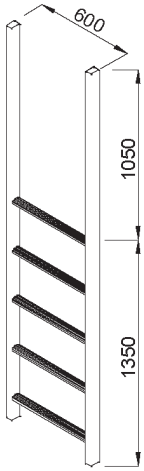
LD402
Roof Mounted Portable Ladder Bracket



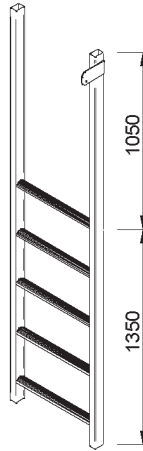
LD401
Wall Mounted Portable Ladder Bracket



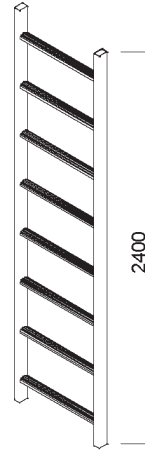
PARTS GUIDE.



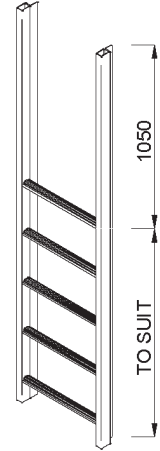
LD405*
Ladder Head



LD406*
Vertical Line Ladder Head

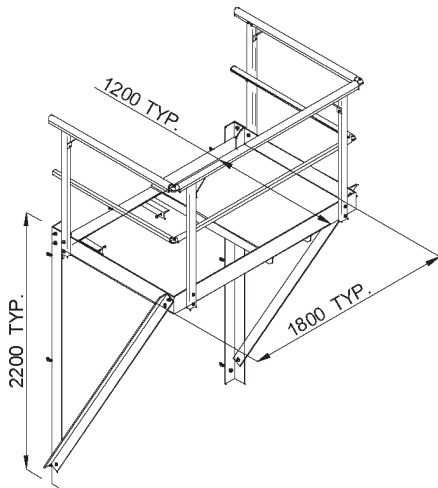


LD411
2400mm Ladder
Other lengths Available

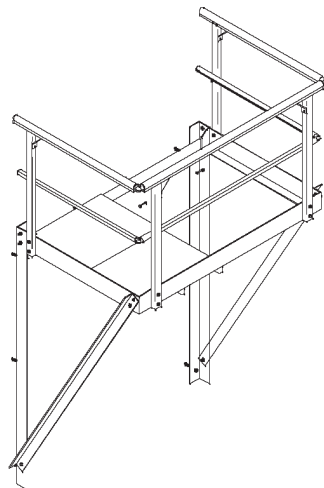


LDXXX*
Reinforced Ladder:
SPECIFY LENGTH
Ladder Made As A Single Weldment

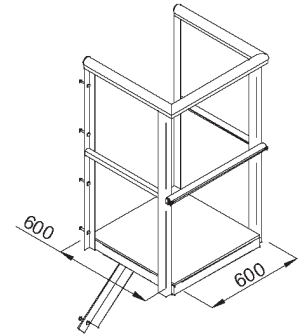
MIDWAY LANDING PLATFORMS CAN BE MADE TO CUSTOM DIMENSIONS



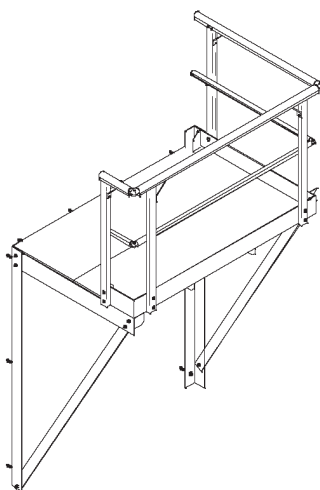
LD429.1L
Midway Landing Platform
Bottom Entry Left



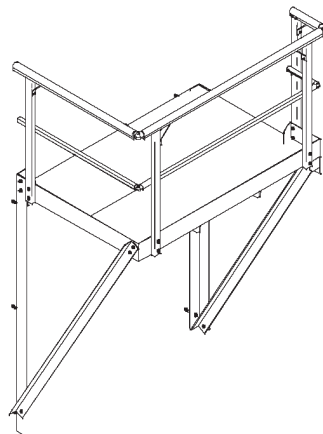
LD429.1R
Midway Landing Platform
Bottom Entry Right



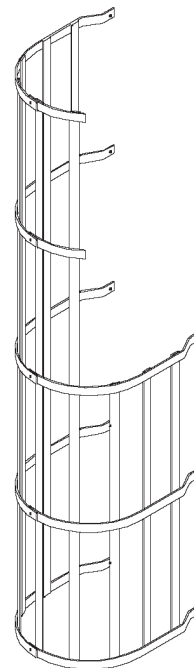
LD430
Fixed Midway Rest Platform



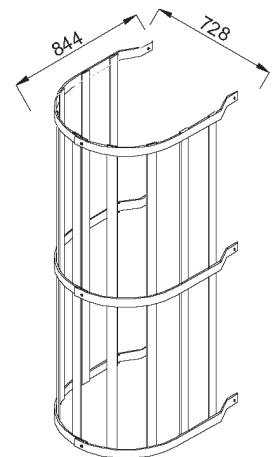
LD429.2L
Midway Landing Platform
Side Entry Left



LD429.2R
Midway Landing Platform
Side Entry Right



LD424*
Side Access Ladder Cage
PLEASE SPECIFY SIZE
AND DIRECTION

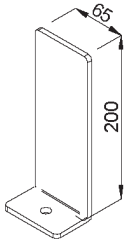


LD424.*
Ladder Cage
PLEASE SPECIFY SIZE

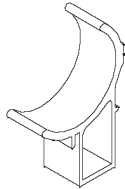


PARTS GUIDE.

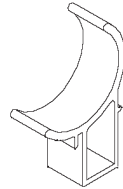
Condenser Mount Components.



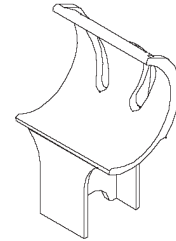
CS015
Isolator Box Fixing Plate



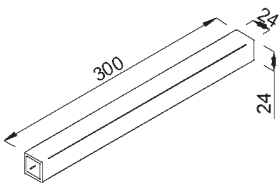
CS018.20
20mm Swivel
(For PM10)



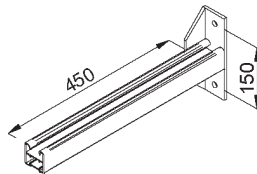
CS018.24
24mm Swivel
(For PM02/PM03/PM06)



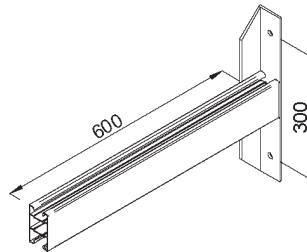
CS018H
25mm Heavy Duty Swivel
(For PM03/PM06)



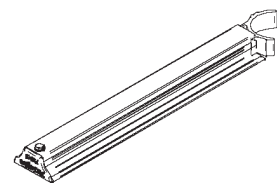
CS017
PM01 Splice Joiner



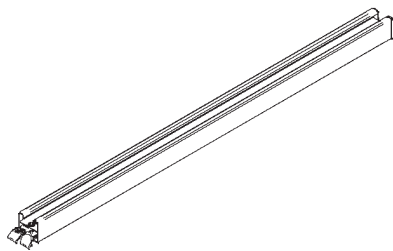
CW080
Standard Wall Mount (PM02)



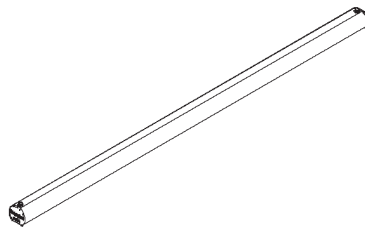
CW200
Heavy Duty Wall Mount (PM03)



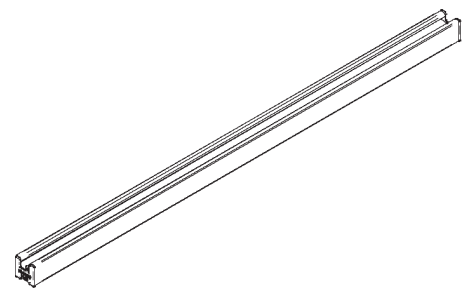
CS013
Adjustable Upright (PM10)
Standard Lengths: 100mm, 300mm, 400mm, 600mm, 800mm, 1000mm, 1500mm, 2000mm



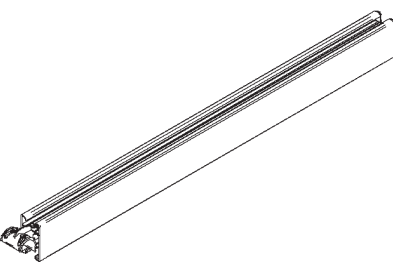
CS011
Standard Adjustable Rail (PM02)
Standard Lengths: 1000mm, 1200mm, 500mm, 1800mm, 2000mm, 2500mm



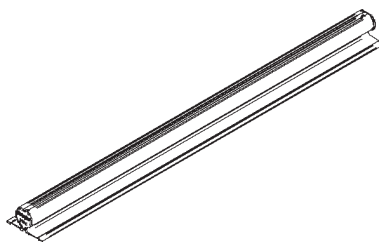
CS020
Standard Roof Rail (PM01)
Standard Lengths: 966mm, 1200mm, 2400mm



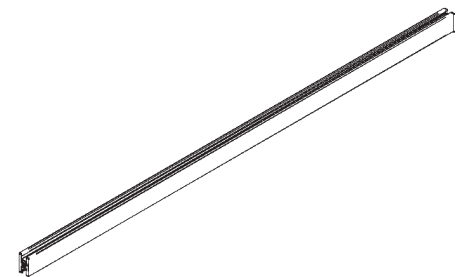
CS021
Standard Rail (PM02)
Standard Lengths: 1200mm, 1500mm



CS012
Heavy Duty Adjustable Rail (PM03)
Standard Lengths: 1000mm, 1200mm,



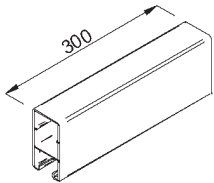
GM001
Tape Down Roof Rail (PM21)
Standard Lengths:



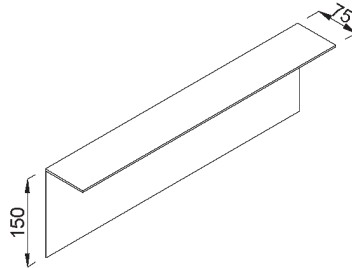
CS021H
Heavy Duty Rail (PM03)
Standard Lengths: 2400mm, 3000mm



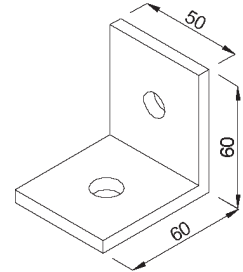
Duct Support Components.



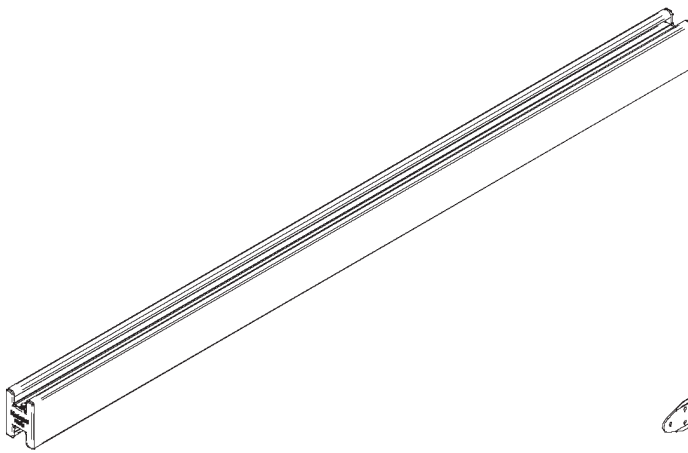
DS103.300
300mm Roof Rail (PM35)



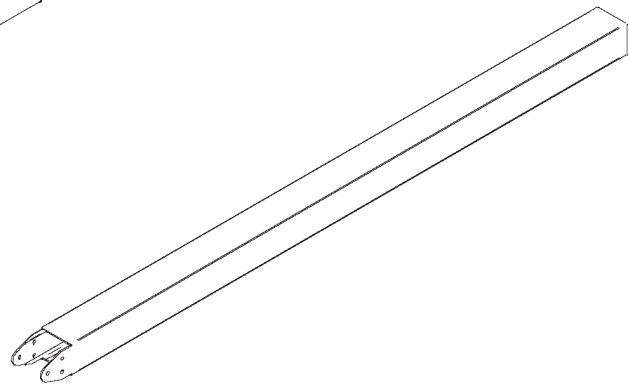
DS105
Support Rail
Standard Lengths: 500mm, 800mm, 1500mm



DS001
Duct Support Swivel



DS103
Roof Rail (PM06)
Standard Lengths: 1300mm,
1500mm, 2000mm, 2700mm



DS104
Vertical Support (PM38)
Standard Lengths: 1100mm,
1500mm, 1800mm, 2000mm



PARTS GUIDE.

Extrusion Endcaps.



PEC02
PM02 Endcap



PEC06
PM06 Endcap



PEC03
PM03 Endcap



PEC07
PM07 Endcap



PEC09
PM09 Endcap



PEC35
PM35, PM36, PM38 Endcap



PEC10
PM10 Endcap



PEC01
PM01 Endcap



PEC21
PM21 Endcap



HR010
Handrail Endcap



HR011
Kneerail Endcap

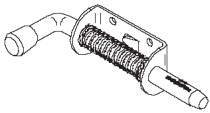


PE60
PM13 And Ladder Endcap



PE01.*
Tube Endcap
SPECIFY DIAMETER

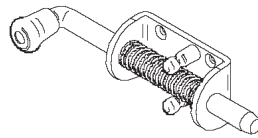
Standard Hardware.



FBSSP10.125
M10 x 125mm Spring Bolt



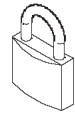
COMAC 4095
M10 Strike Plate



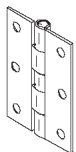
FBSSP12.170
M12 x 170mm Spring Bolt



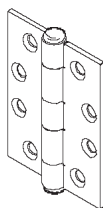
COMAC 4097
M12 Strike Plate



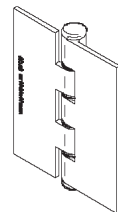
FPLOCK.40
40mm Brass Padlock



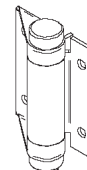
FHB75.50.15
75 x 50mm S/S Butt Hinge
Usage: Bolted Gates



VAH.2118
100 x 75mm S/S Butt Hinge
Usage: Bolted Doors

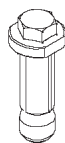


FHB83.100.30
83 x 100mm Aluminium Butt Hinge
Usage: Welded Doors

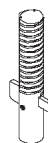


FHS92.1
72 x 35mm Spring Closing Hinge
Usage: Self Closing Gates

Hidden Fix Bolts (Non-stock).



PURCHASE
Hollo Bolt
M8 - M12



PURCHASE
Blind Bolt.
M8 - M16



PARTS GUIDE.

Standard Hardware.



FBS06.*
M6 S/S Set Screw
25mm, 50mm(Bolt)



FBS08.*
M8 S/S Set Screw
25mm, 50mm, 80mm, 110mm



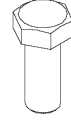
FBSM08.*
M8 S/S Mushroom Bolt
25mm, 60mm, 75mm



FBS10.*
M10 S/S Set Screw
25mm, 35mm, 40mm, 50mm
65mm, 75mm, 90mm, 130mm(Bolt)



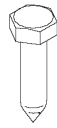
FBS12.*
M12 S/S Set Screw
40mm, 65mm, 90mm
120mm, 140mm(Bolt)



FBS16.*
M16 S/S Set Screw
40mm



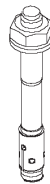
FCS10.*
M10 S/S Coach Screw
60mm, 100mm



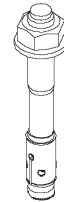
FCS12.*
M12 S/S Coach Screw
50mm, 75mm, 100mm



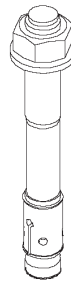
FBSB10.*
M10 S/S Concrete Screw Bolt
75mm



FTBS10.*
M10 S/S Through Bolt
90mm



FTBS12.*
M12 S/S Through Bolt
75mm, 100mm, 140mm



FTBS16.*
M16 S/S Through Bolt
140mm



RC05C.*
Zinc Coated Combi Stud
60mm, 75mm



RC05.*
Galv. Jack Stud
50mm, 65mm, 75mm, 100mm,
125mm, 150mm, 170mm



FTG01.*
12g Galv. Series 500 Tek Screw
32mm, 50mm, 80mm



FTG02.*
14g Galv. Steel Tek Screw
75mm, 90mm, 115mm, 135mm
150mm, 200mm, 250mm



FTG03.*
14g Galv. Timber Tek Screw
75mm, 90mm, 115mm
125mm, 150mm, 200mm



FTS01.*
14g S/S Tek Screw
22mm, 50mm, 65mm



FWS06.1
M6 S/S Washer



FWS08.1
M8 S/S Washer



FWS10.1
M10 S/S Washer



FWS10.2
M10 S/S Spring Washer



FWS12.1
M12 S/S Washer



FWS12.3
M12 S/S Spring Washer



FWS16.1
M16 S/S Washer



FNS06.1
M6 S/S Nylock Nut



FNS08.1
M8 S/S Nylock Nut



FNC08
M8 S/S Nut Cap



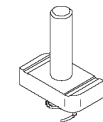
FNS10.1
M10 S/S Nylock Nut



FNS10.2
M10 S/S Spring Nut



FNS10.3
M10 S/S Hex Nut



FNS10.4
M10 S/S Spring Nut With Stud



FNS10.5
M10 S/S Dome Nut



FNS12.1
M12 S/S Nylock Nut



FNS12.2
M12 S/S Dome Nut



FNS12.3
M12 S/S Hex Nut



FNS16.1
M16 S/S Nylock Nut



FWN32
M6 Neoprene Washer



FWN35.12
M12 Neoprene Washer



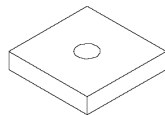
FTRS10
M10 S/S Threaded Rod
1000mm MAX.
CUT TO SUIT



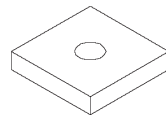
FTRS12
M12 S/S Threaded Rod
1000mm MAX.
CUT TO SUIT



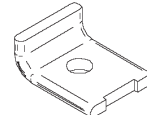
FRB05.*
M05 Aluminium Rivet
25mm, 35mm, 45mm



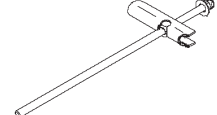
EW011.10
M10 Aluminium Packer
50 x 50 x 10



EW011.12
M12 Aluminium Packer
50 x 50 x 10



FBC
S/S Beam Clamp



LD934.20
M8 S/S Toggle Bolt