



CONDENSER MOUNT

ORDER FORM

Date	/	/	Order Number	
COMPANY NAME				
CONTACT				
PHONE				
EMAIL				
SHIPPING ADDRESS				

BEFORE YOU ORDER

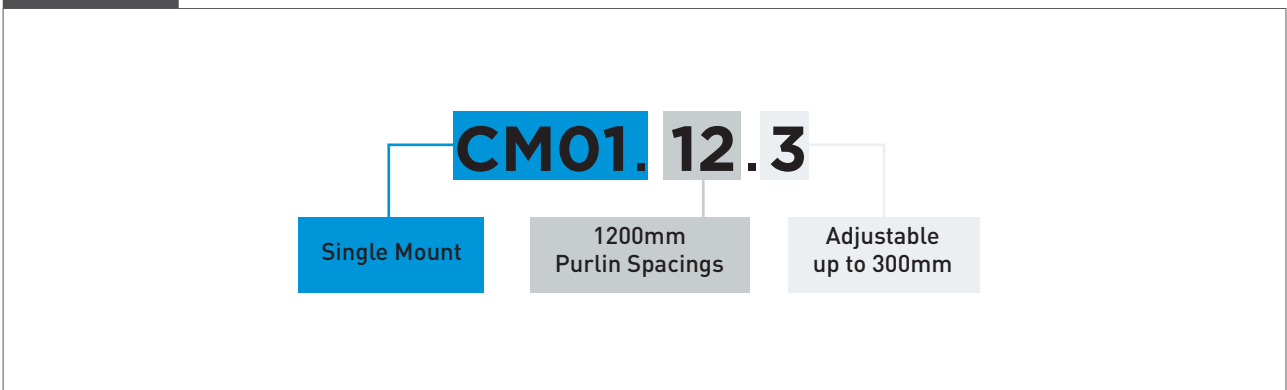
What do you need to know to order a Condenser Mount?

- Weight of Condenser Unit
- Number of Condenser Units
- Roof purlin spacings
- Roof Pitch / Adjustment required (Length of vertical member)
- Roofing Profile (A standard kitset suits a top fix roof profile)

How the Codes work

See examples below of how to work out which system will suit your requirements

Example

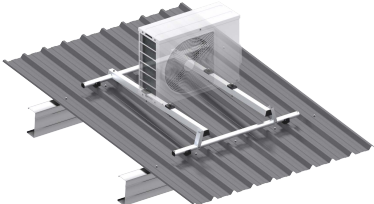
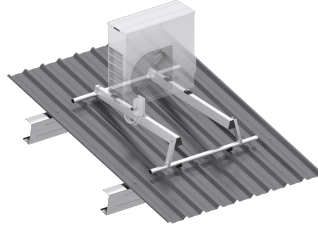
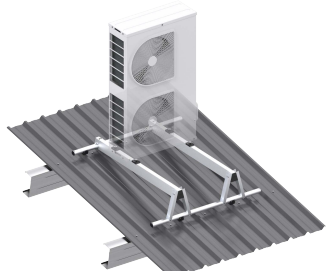
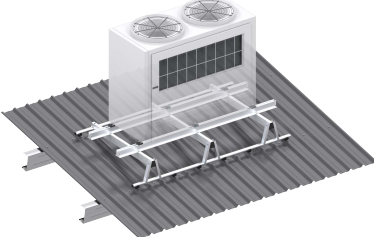
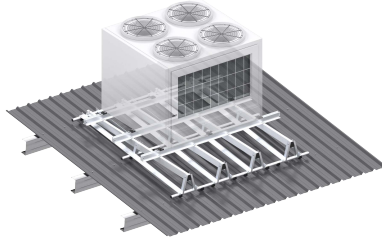


ORDER FORM

CONDENSER MOUNTS

THREE Simple Steps








Step 1: Select your Mount

CM01 - UP TO 120KG <input type="radio"/>	CM02 - UP TO 200KG <input type="radio"/>	CM03 - UP TO 300KG <input type="radio"/>
		
CM05 - UP TO 500KG <input type="radio"/>	CM10 - UP TO 1000KG <input type="radio"/>	
		

Step 2: Purlin Details

Purlin Spacings	
Purlin Type	<input type="radio"/> WOOD <input type="radio"/> STEEL

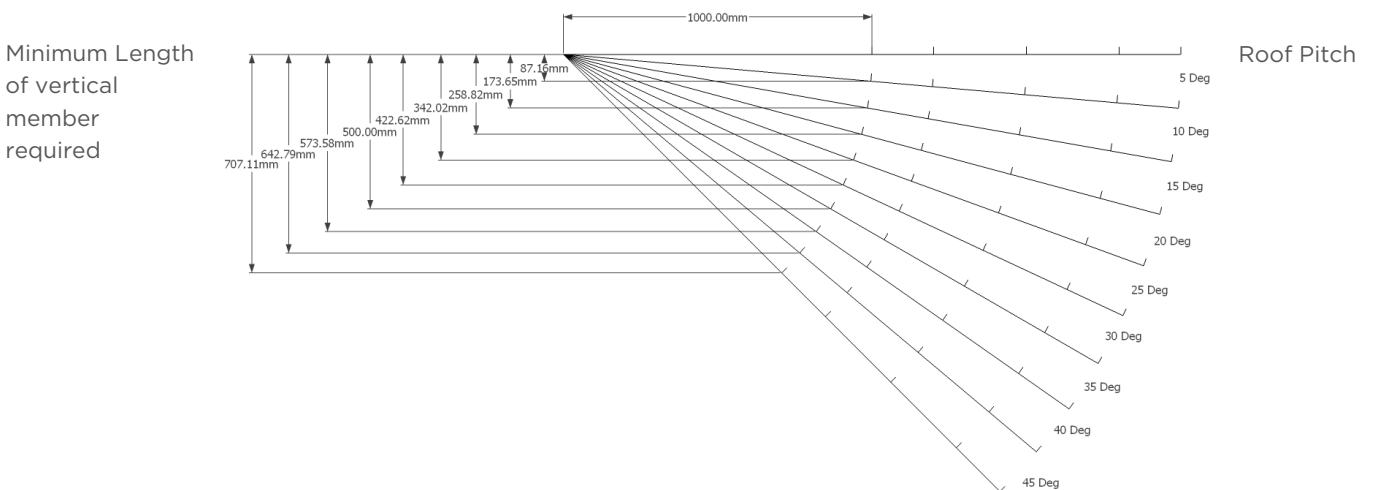
Step 3: Roof Details

Roof Pitch		
Roof Profile	<input type="radio"/> Dimond 400 	<input type="radio"/> Corrugated 
	<input type="radio"/> Dimond 630 	<input type="radio"/> Membrane 
	<input type="radio"/> Trapezoidal 	<input type="radio"/> Cliplock 
Other	<input type="radio"/> Kingspan <small>PANEL THICKNESS</small> 	

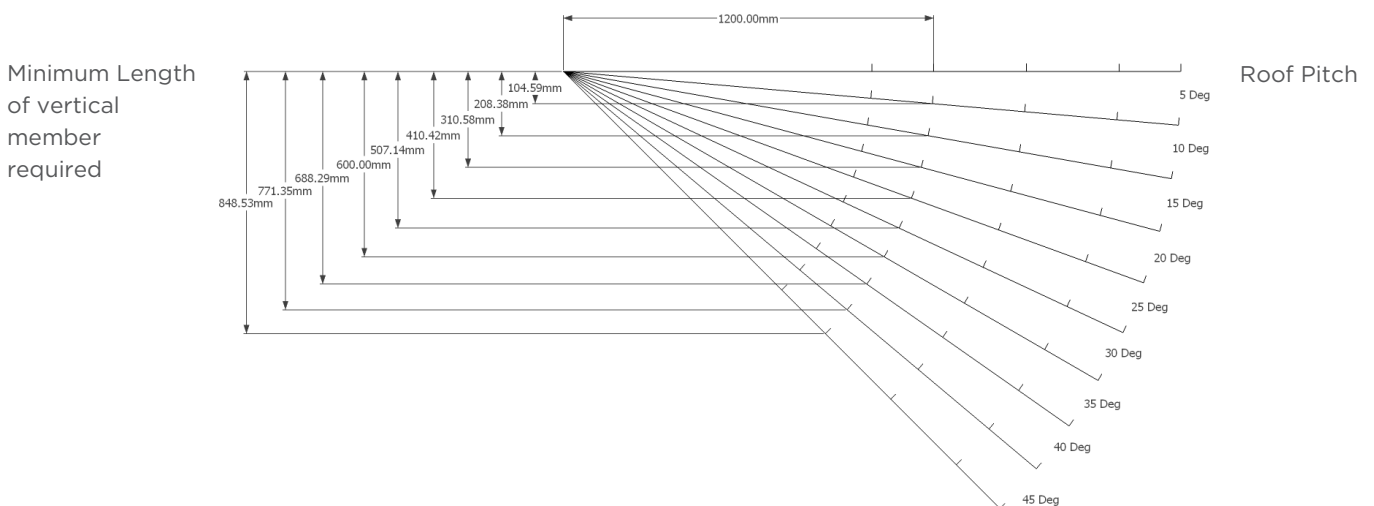
LEVELLING YOUR CONDENSER UNIT

Use the diagrams below to determine the adjustment required to level your condenser unit

1000mm PURLIN SPACINGS



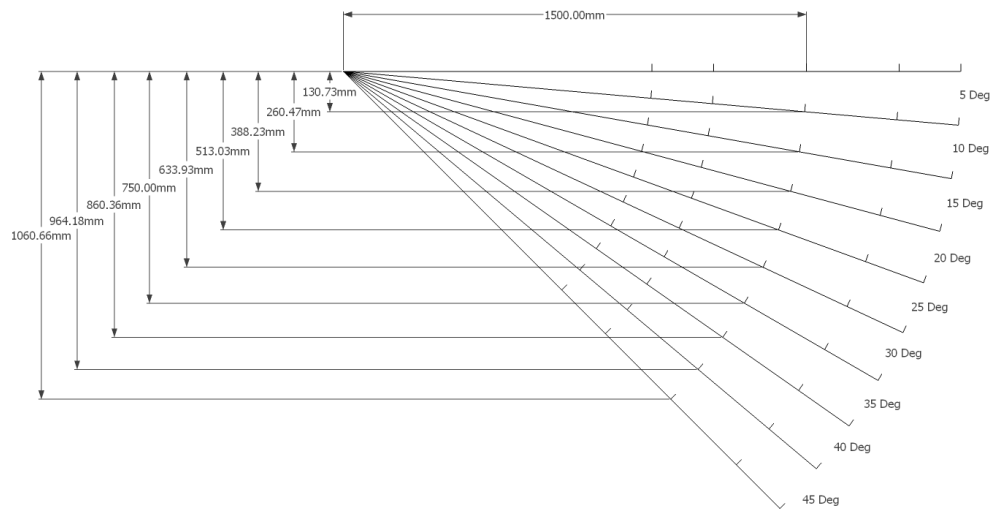
1200mm PURLIN SPACINGS





1500mm PURLIN SPACINGS

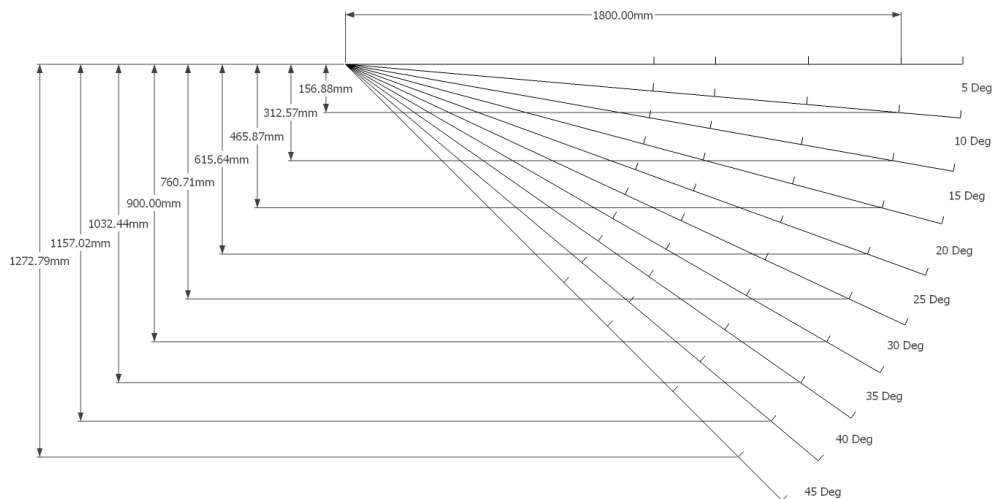
Minimum Length
of vertical
member
required



Roof Pitch

1800mm PURLIN SPACINGS

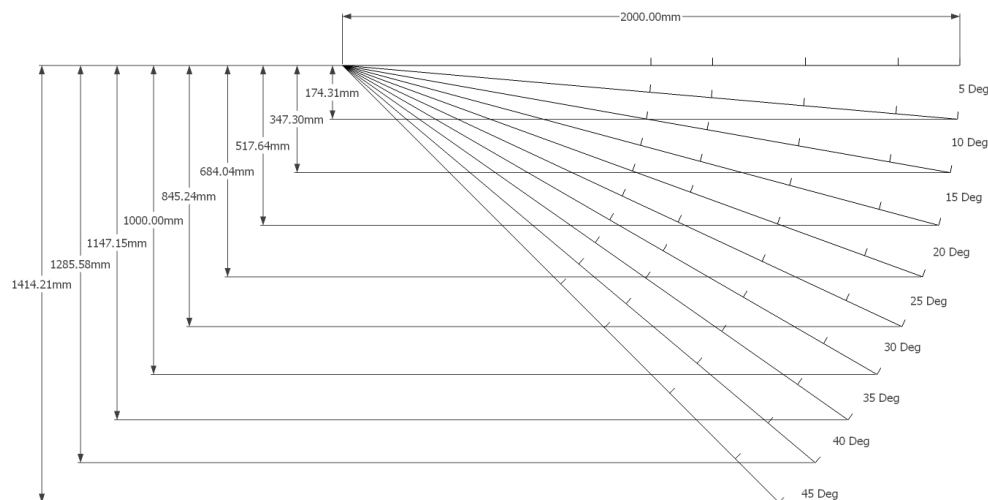
Minimum Length
of vertical
member
required



Roof Pitch

2000mm PURLIN SPACINGS

Minimum Length
of vertical
member
required



Roof Pitch