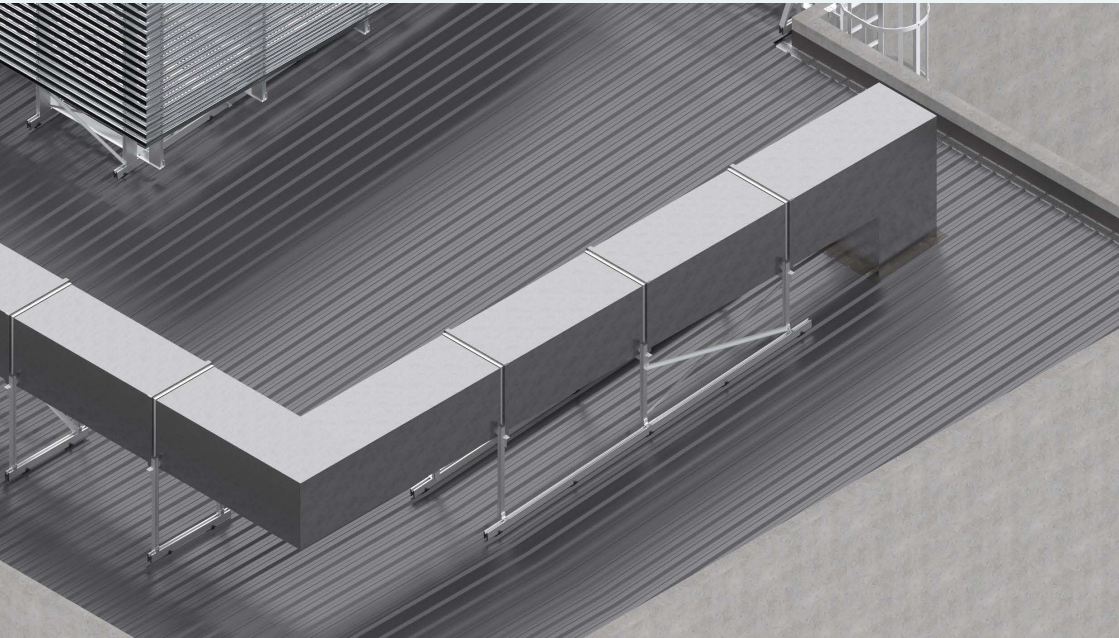


INSTALLATION MANUAL

Monkeytoe Duct Support System





Impact Driver



Cordless Drill



Spanner & Socket Set



5mm Hex Head Bit - Incl in kit



12mm Drill Bit



14 Gauge Tek Driver Bits



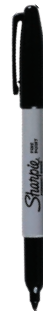
Dropsaw



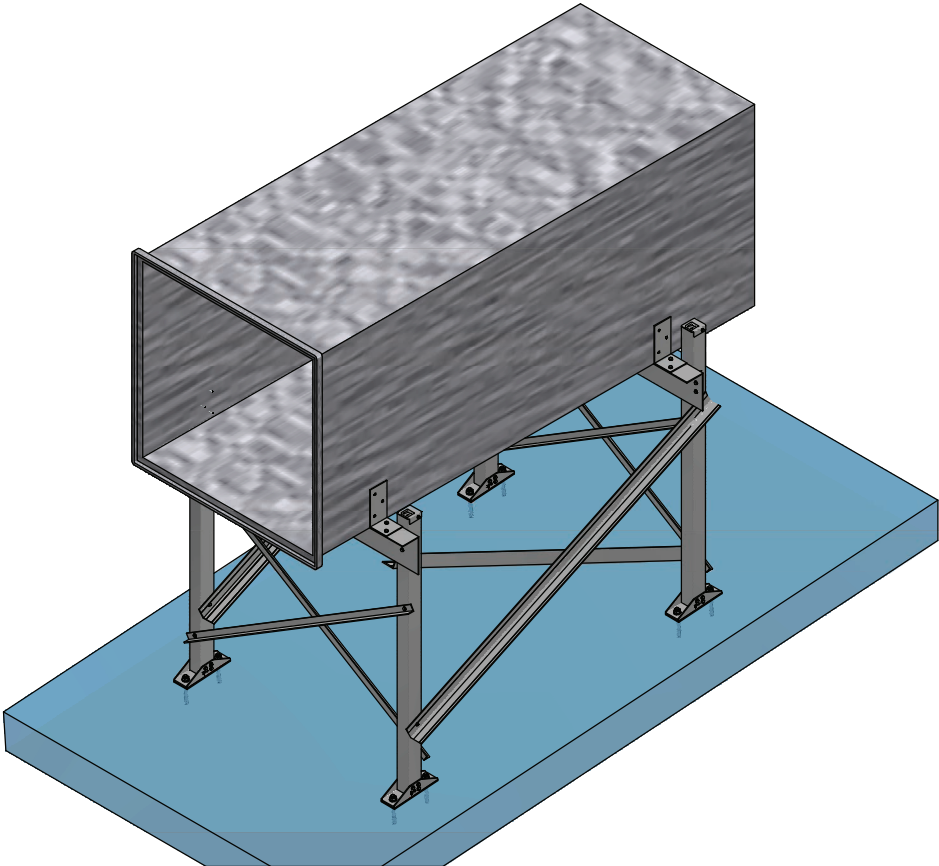
Tape Measure



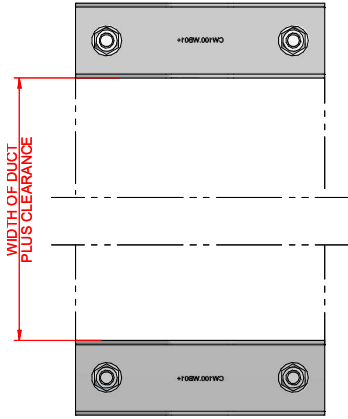
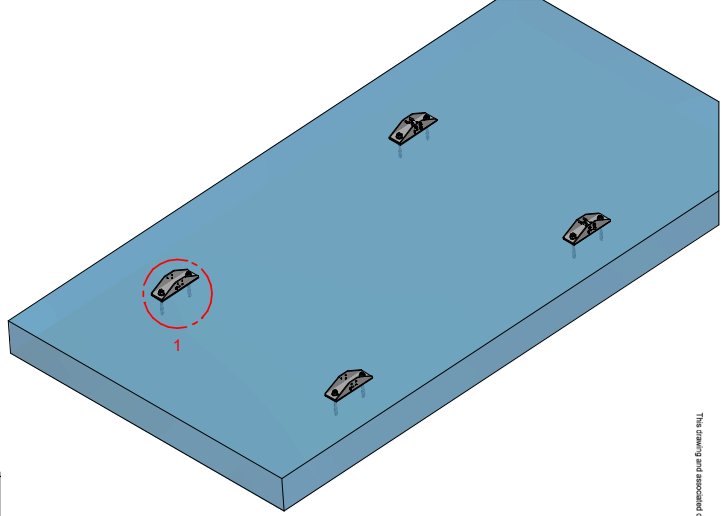
Level



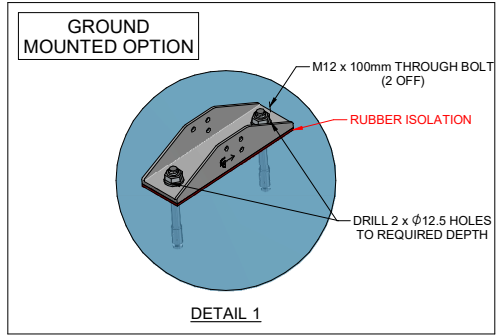
Marker Pen



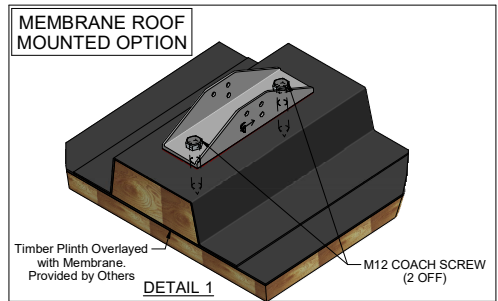
STEP 1



PLAN VIEW



DETAIL 1




DETAIL 1

STEP 1

Fix base connection brackets down to the ground/plinths using fixings provided. These brackets need to be spaced to suit the duct width with 20mm clearance on each side. Spacing between these connections to be max 2m (Refer to span tables for calcification).

Monkeytoe

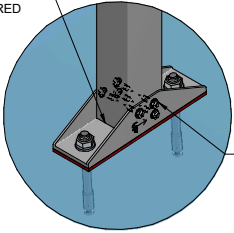
EVERYTHING BETTER
0800 658 637 - www.monkeytoe.co.nz

DUCT SUPPORT SYSTEM		
GROUND MOUNTED		
DWG No: TBC		21/02/2023
 DO NOT SCALE	SHEET 2 OF 10	A3
	SCALE: 1:1	REV:01
DIMENSIONS IN MILLIMETERS		

The drawing and associated design is the copyright and property of Monkeytoe Ltd. It shall not be used for any purpose or project, without prior written consent other than designated by Monkeytoe Ltd. ©

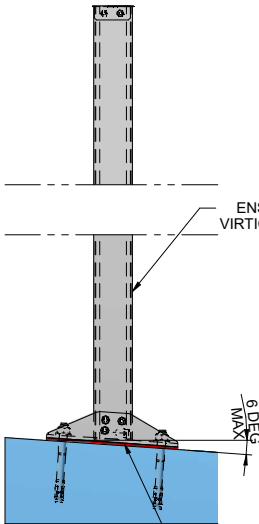
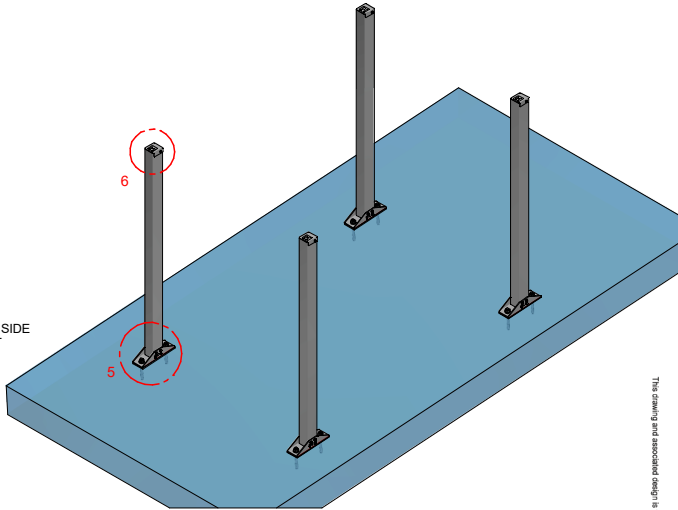
STEP 2

TRIM PM38 ANGLE AS REQUIRED



DETAIL 5

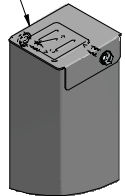
3 x TEK SCREWS EACH SIDE PM38 POST



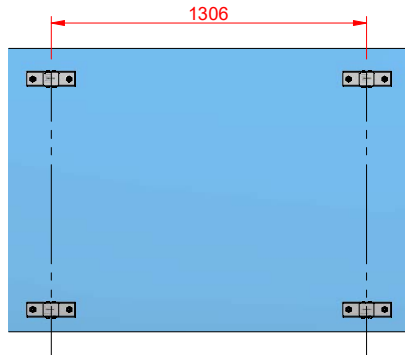
ENSURE PM38 POST IS FIXED VIRTICALLY USING A SPIRIT LEVEL

TRIM PM38 ANGLE AS REQUIRED

PEC38 ENDCAP WITH 1 x TEK SCREW EACH SIDE PM38 POST



DETAIL 6

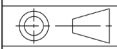


STEP 2

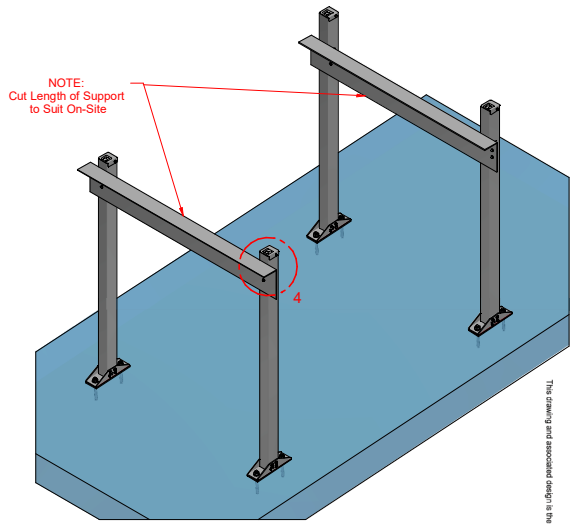
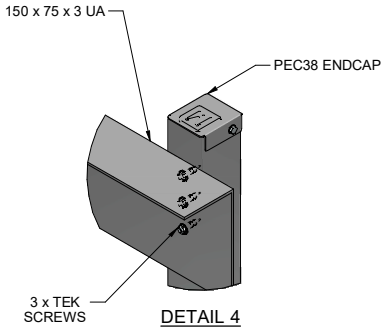
Cut PM38 Vertical posts to length (max 2m) with angle on bottom end to suit the roof slope (max slope of 6 degrees). Then fix posts into the base connection brackets using the 3 x tek screws per side of post. The posts must be installed vertical.

Monkeytoe

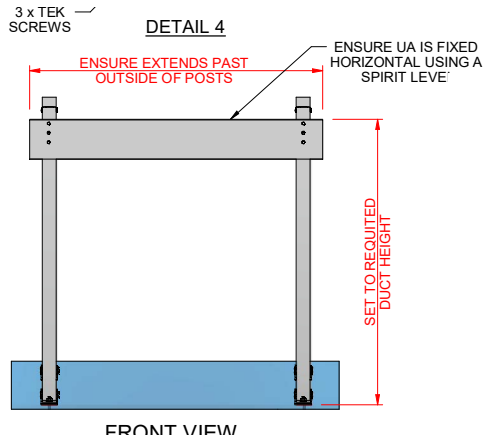
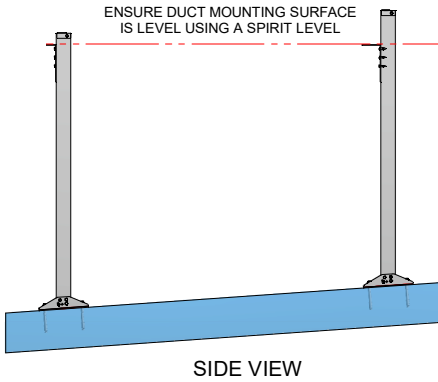
EVERYTHING BETTER
0800 658 637 - www.monkeytoe.co.nz

DUCT SUPPORT SYSTEM		
GROUND MOUNTED		
DWG No: TBC		21/02/2023
	SHEET 3 OF 10	A3
	SCALE: 1:1	REV:01
DO NOT SCALE	DIMENSIONS IN MILLIMETERS	

STEP 3



The drawing and associated design is the copyright and property of Monkeytoe Ltd. It shall not be used for any purpose or project, without prior written consent other than designated by Monkeytoe Ltd. ©




STEP 3

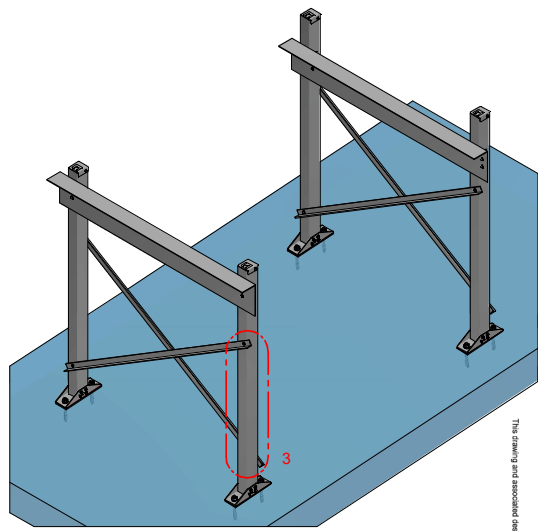
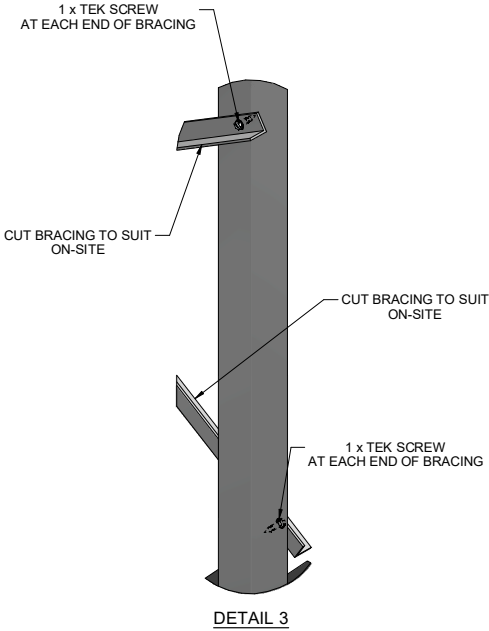
Cut the 150x75x3 Unequal Angle to the length to suit the outer measurement of vertical posts. Using 3 x tek screws per post fix the horizontal ducting support angle onto the post at the required height (refer to span tables for calculation. Max 2m above base mounting level).

Monkeytoe

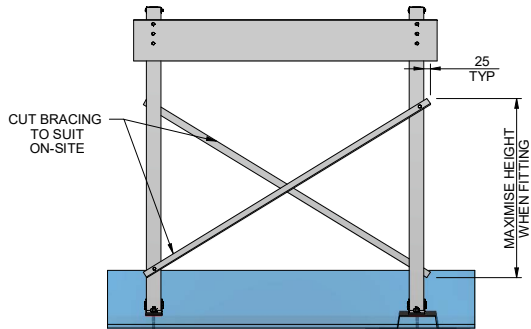
EVERYTHING BETTER
0800 658 637 - www.monkeytoe.co.nz

DUCT SUPPORT SYSTEM		
GROUND MOUNTED		
DWG No: TBC		21/02/2023
	SHEET 4 OF 10	A3
	SCALE: 1:1	REV:01
DO NOT SCALE	DIMENSIONS IN MILLIMETERS	

STEP 4



This drawing and associated design is the copyright and property of Monkeytoe Ltd. It shall not be used for any purpose or project, without prior written consent other than that designated by Monkeytoe Ltd. ©



FRONT VIEW

STEP 4

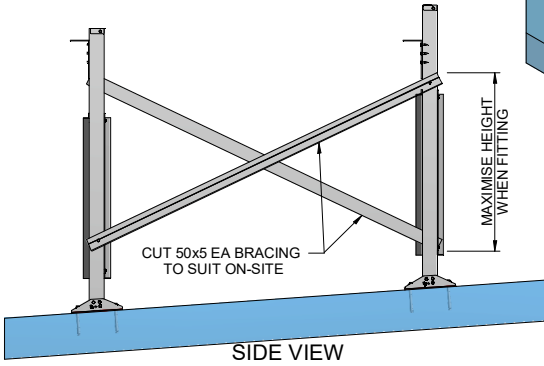
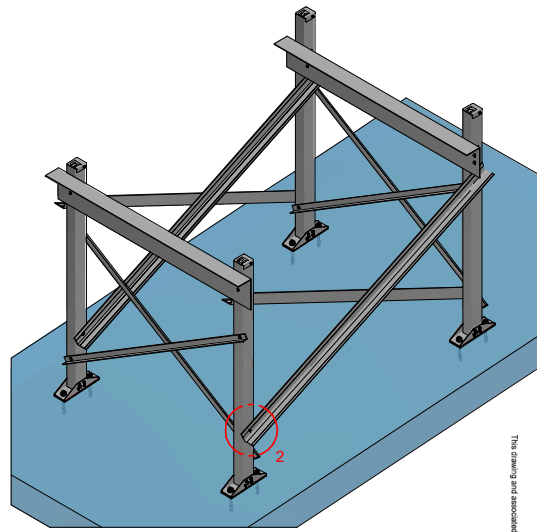
Every support frame must be braced using the 25x3 Equal Angle bracing. Fix bracing to the vertical posts as shown using 1 x 25mm tek screw per connection. (NOTE: Bracing must be as close to top & bottom of the posts as possible).

Monkeytoe

EVERYTHING BETTER
0800 658 637 - www.monkeytoe.co.nz

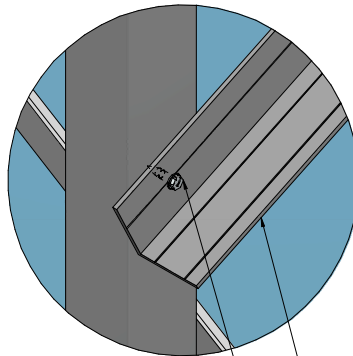
DUCT SUPPORT SYSTEM			
GROUND MOUNTED			
DWG No: TBC			21/02/2023
 DO NOT SCALE	 SHEET 5 OF 10	A3	
	SCALE: 1:1		REV:01
DIMENSIONS IN MILLIMETERS			

STEP 5



STEP 5

Max 2m spacing between support frames (Refer to span tables for clarification).



DETAIL 2

CUT 50x5 EA BRACING TO SUIT
1 x TEK SCREW AT EACH END

This drawing and associated design is the copyright and property of Monkeytoe Ltd. It shall not be used for any purpose or project, without prior written consent other than designed by Monkeytoe Ltd. ©

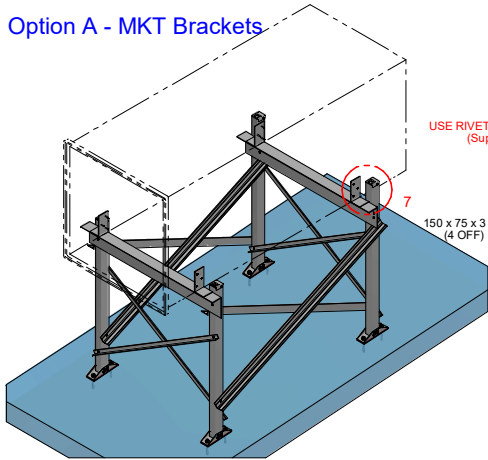
Monkeytoe

EVERYTHING BETTER
0800 658 637 - www.monkeytoe.co.nz

DUCT SUPPORT SYSTEM			
GROUND MOUNTED			
DWG No: TBC	21/02/2023		
 DO NOT SCALE	SHEET 6 OF 10	A3	
	SCALE: 1:1	REV:01	
DIMENSIONS IN MILLIMETERS			

STEP 6

Option A - MKT Brackets



USE RIVETS TO FIX INTO DUCTS
(Supplied by Others)

150 x 75 x 3 EA
(4 OFF)

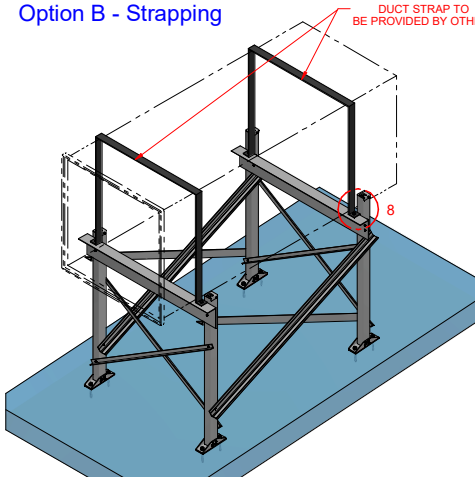
TIP:
Use Cut Offs From Duct
Bracing (See Sheet 3) To
Make Brackets.
Cut 75mm Long

**RESTRAIN DUCTING ONTO
EVERY SUPPOROT FRAME**

2 x TEK Screws

DETAIL 7

Option B - Strapping



DUCT STRAP TO
BE PROVIDED BY OTHERS

DUCT STRAP AND FIXING TO
BE PROVIDED BY OTHERS

DETAIL 8

STEP 6

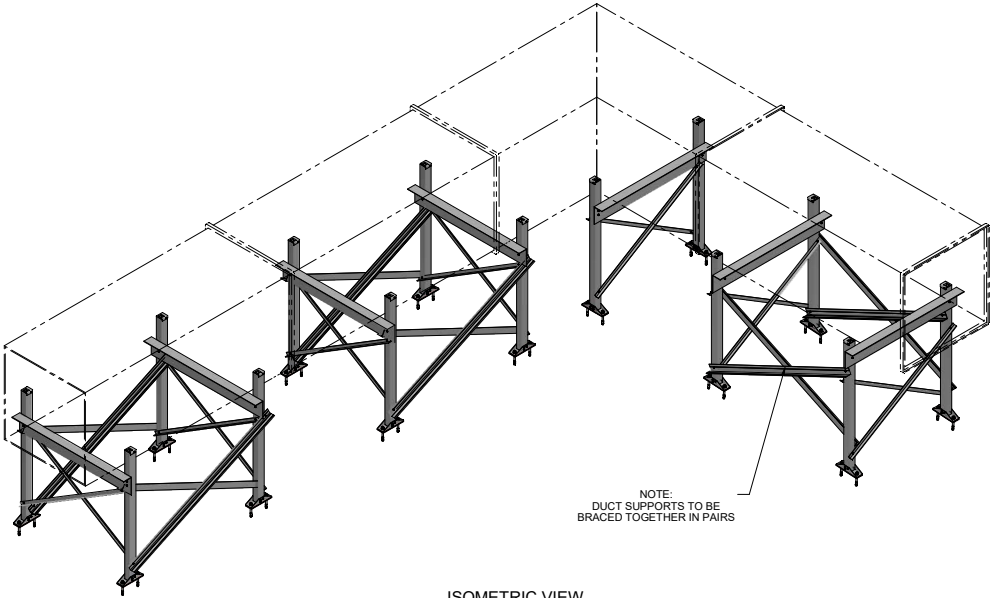
Using the 50 x 3 equal Angle to
brace between every second set (2
frames per set) of support frames.
Use 2 x tek screws per connection
to fix angle onto the vertical posts.

Monkeytoe

EVERYTHING BETTER
0800 658 637 - www.monkeytoe.co.nz

DUCT SUPPORT SYSTEM		
GROUND MOUNTED		
DWG No: TBC		21/02/2023
	SHEET 7 OF 10	A3
	SCALE: 1:1	REV.01
DO NOT SCALE	DIMENSIONS IN MILLIMETERS	

STEP 7



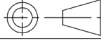
ISOMETRIC VIEW

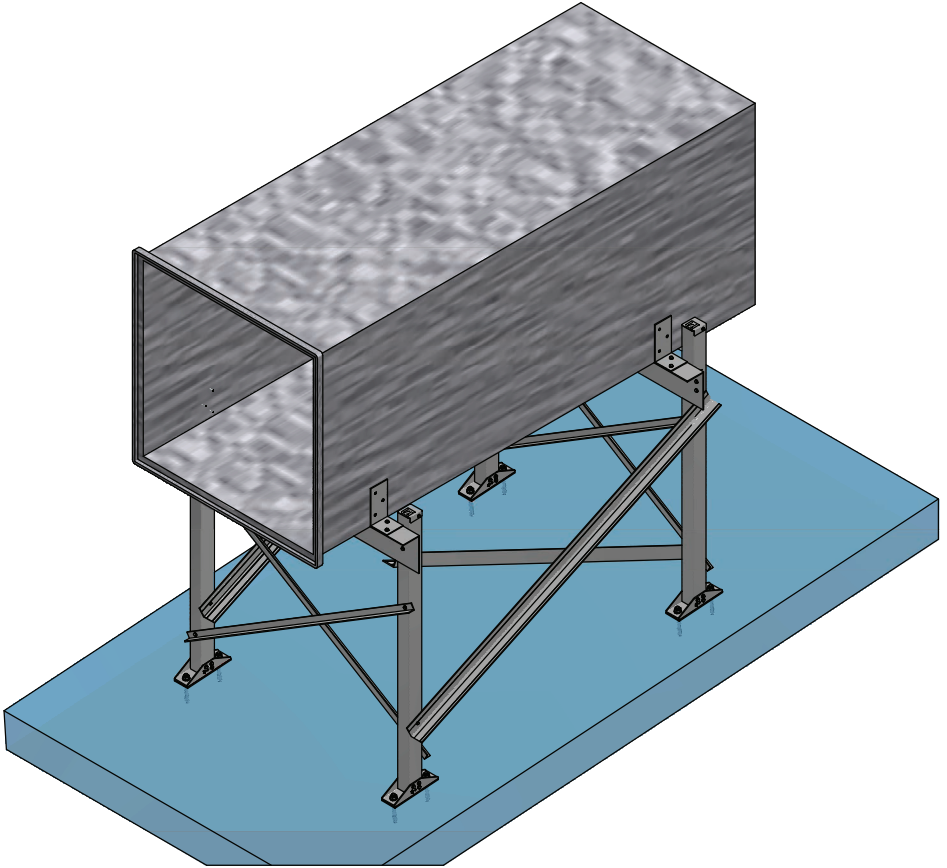
STEP 7

Using the 50 x 3 equal Angle to brace between every second set (2 frames per set) of support frames. Use 2 x tek screws per connection to fix angle onto the vertical posts.

Monkeytoe

EVERYTHING BETTER
0800 658 637 - www.monkeytoe.co.nz

DUCT SUPPORT SYSTEM			
GROUND MOUNTED			
DWG No: TBC	21/02/2023		
	SHEET 8 OF 10	A3	
	SCALE: 1:1	REV:01	
DO NOT SCALE	DIMENSIONS IN MILLIMETERS		



The drawing and associated design is the copyright and property of Monkeytoe Ltd. It shall not be used for any purpose or project, without prior written consent other than designated by Monkeytoe Ltd. ©

Monkeytoe

EVERYTHING BETTER

0800 658 637 - www.monkeytoe.co.nz

DUCT SUPPORT SYSTEM		
GROUND MOUNTED		
DWG No: TBC		21/02/2023
	SHEET 10 OF 10	A3
DO NOT SCALE	SCALE: 1:1	REV:01
DIMENSIONS IN MILLIMETERS		