

INSTALLATION MANUAL

Monkeytoe Duct Support System





Impact Driver



Cordless Drill



Spanner & Socket Set



5mm Hex Head Bit - Incl in kit



12mm Drill Bit



14 Gauge Tek Driver Bits



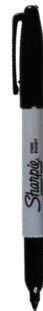
Dropsaw



Tape Measure

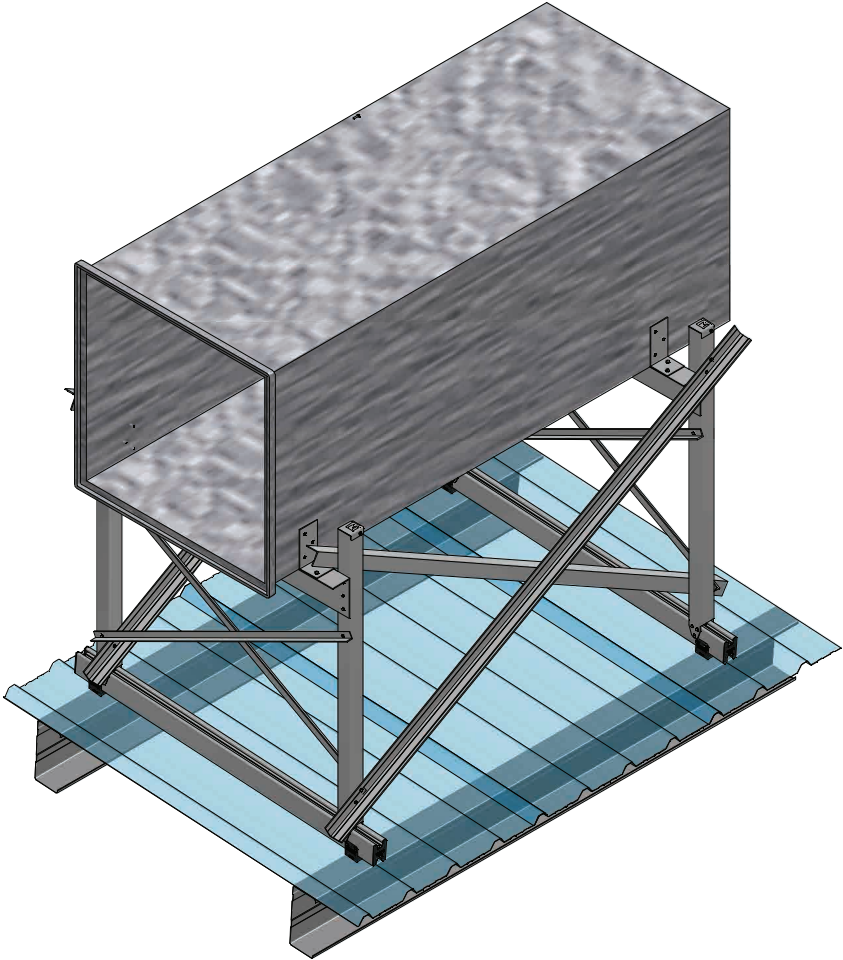


Level

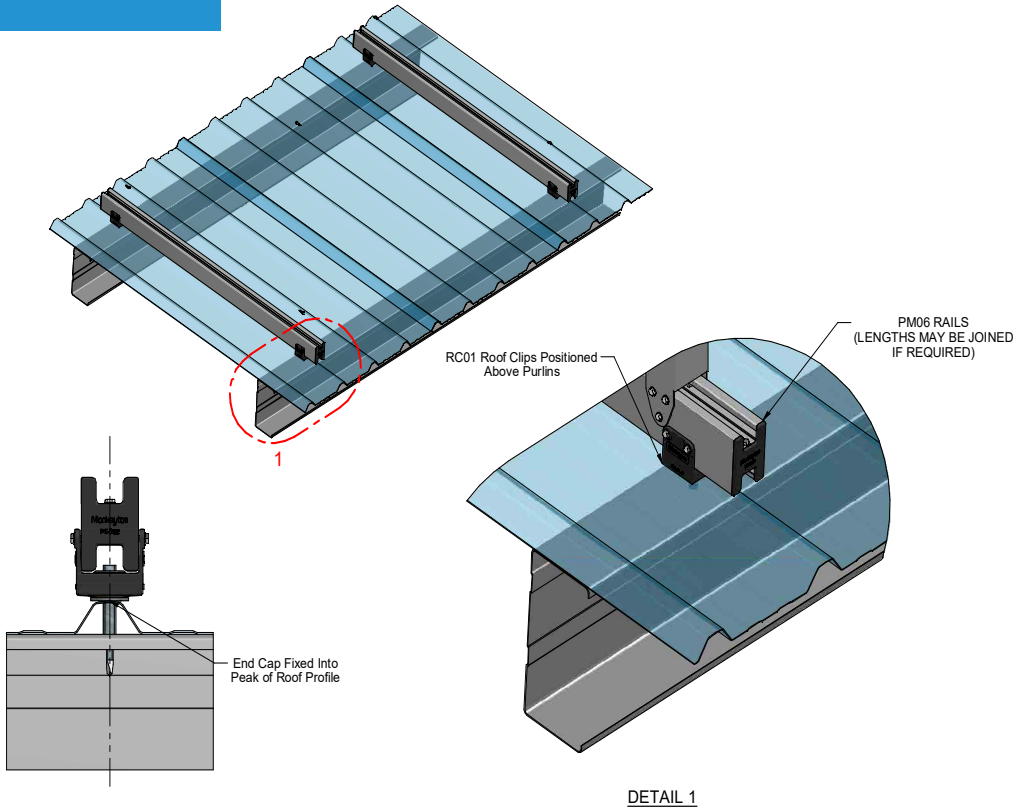


Marker Pen

GROUND MOUNTED DUCT SUPPORT ACROSS THE ROOF



STEP 1



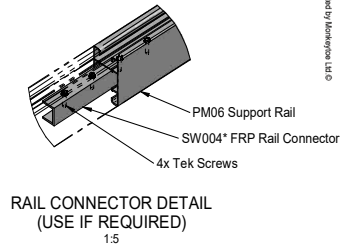
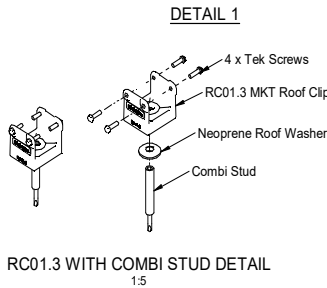
The drawing and associated design is the copyright and property of Monkeytoe Ltd. It shall not be used for any purpose or project, without prior written consent, other than designated by Monkeytoe Ltd. ©

STEP 1

Lay PM06 extrusion down to span the purlins that the RC01 roof clips will fix onto. Fix RC01 clips into Purlins NOTE: RC01 roof clips need to be fixed to the closest roof rib outside ducting width. Max 2m apart)


Once RC01 clips are installed, place PM06 Extrusion into the top of the RC01 roof clips. Using 4 x Tek screws per clip, fix the PM06 into place.

If you need to join to PM06 Extrusion, use the channel joiner & scw into place. NOTE: you must fix onto at least 2 purlin lines.

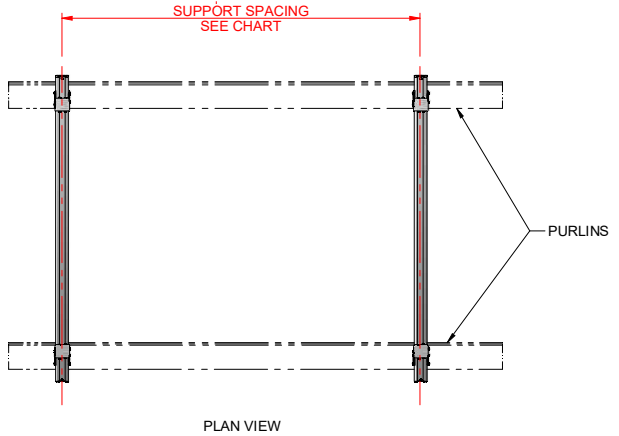
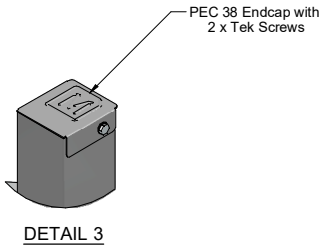
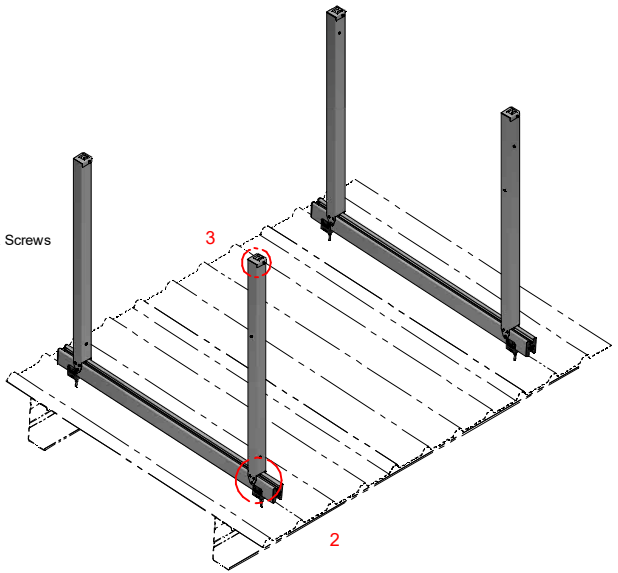
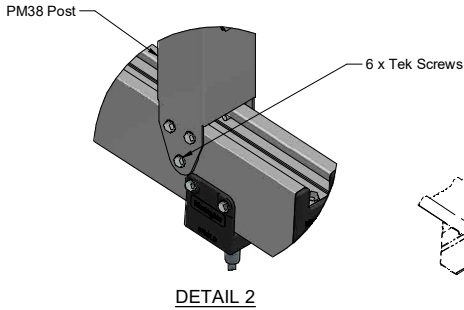


Monkeytoe

EVERYTHING BETTER
0800 658 637 - www.monkeytoe.co.nz

DUCT SUPPORT SYSTEM		
ROOF MOUNTED		
DWG No: TBC		21/02/2023
 DO NOT SCALE	SHEET 2 OF 10	A3
	SCALE: 1:1	REV:01
DIMENSIONS IN MILLIMETERS		

STEP 2



STEP 2


Place the vertical posts onto the PM06 roof rails & fix into place using 3 x tek screws per side.

Refer to wind loan table for max post spacings.

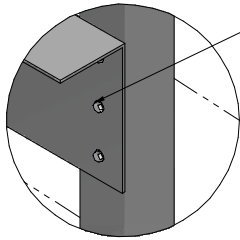
HEAVY DUTY DUCT SUPPORT MAXIMUM SPACING Contact Product Support For Any Variations				
WIND ZONE	Duct Size 800 x 800 mm	Duct Size 1250 x 1250 mm	Duct Size 1800 x 1800 mm	Duct Size 2240 x 2240 mm
Low	2000 mm	2000 mm	2000 mm	1200 mm *1
Medium	2000 mm	2000 mm	2000 mm	1200 mm*2
High	2000 mm	1500 mm	1500 mm	1200 mm
Very High	1500 mm	1100 mm	1100 mm	

Note:
 *1 = Seismic Zone factor ≤ 0.2
 *2 = Seismic Zone factor ≤ 0.3

Monkeytoe
 EVERYTHING BETTER
 0800 658 637 - www.monkeytoe.co.nz

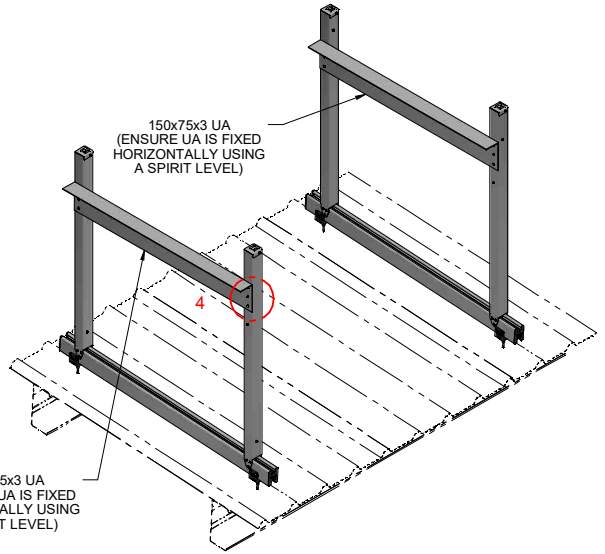
DUCT SUPPORT SYSTEM ROOF MOUNTED		
DWG No: TBC	21/02/2023	
 DO NOT SCALE	SHEET 3 OF 10	A3
	SCALE: 1:1	REV:01
DIMENSIONS IN MILLIMETERS		

STEP 3



DETAIL 4

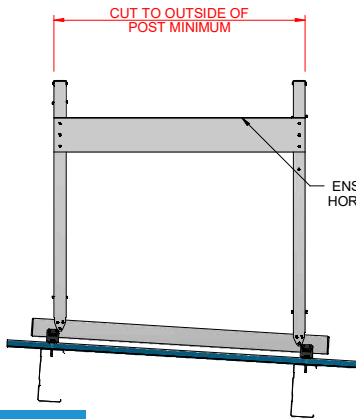
3 x TEK SCREWS AT EACH END



150x75x3 UA (ENSURE UA IS FIXED HORIZONTALLY USING A SPIRIT LEVEL)

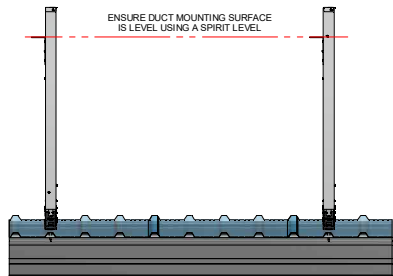
150x75x3 UA (ENSURE UA IS FIXED HORIZONTALLY USING A SPIRIT LEVEL)

4



CUT TO OUTSIDE OF POST MINIMUM

ENSURE UA IS FIXED HORIZONTALLY USING A SPIRIT LEVEL



ENSURE DUCT MOUNTING SURFACE IS LEVEL USING A SPIRIT LEVEL

STEP 3


Cut the horizontal 150 x 75 x 3 Unequal Angle support rail to suit outer measurement of vertical posts (max 2m).

Using 3 x tek screws per post connection, fix the horizontal rail onto the posts at the required height.

Refer to span table for allowable height above roof level. Max 2m.

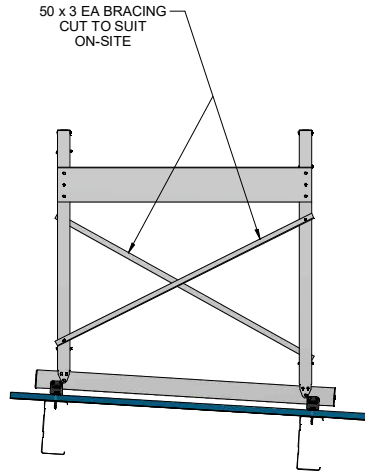
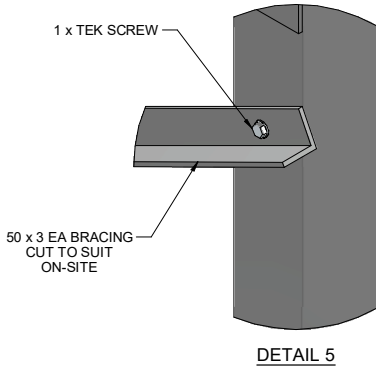
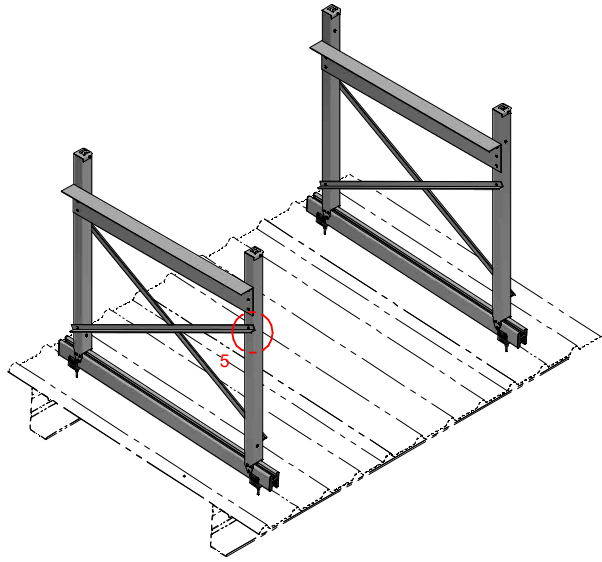
Monkeytoe

EVERYTHING BETTER
0800 658 637 - www.monkeytoe.co.nz

DUCT SUPPORT SYSTEM		
ROOF MOUNTED		
DWG No: TBC		21/02/2023
	SHEET 4 OF 10	A3
	SCALE: 1:1	REV:01
DO NOT SCALE	DIMENSIONS IN MILLIMETERS	

The drawing and associated design is the copyright and property of Monkeytoe Ltd. It shall not be used for any purpose or project, without prior written consent other than designated by Monkeytoe Ltd.

STEP 4



STEP 4

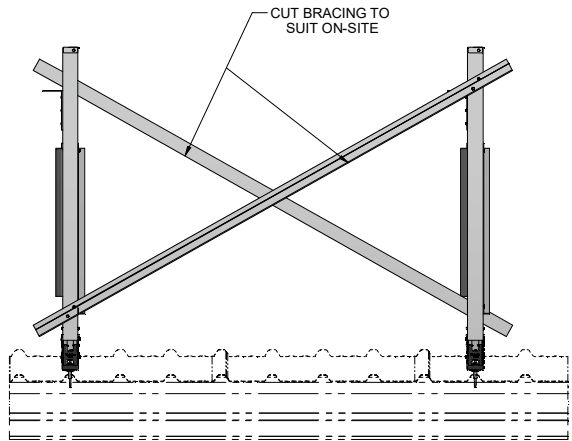
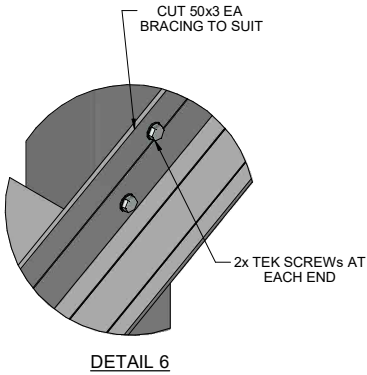
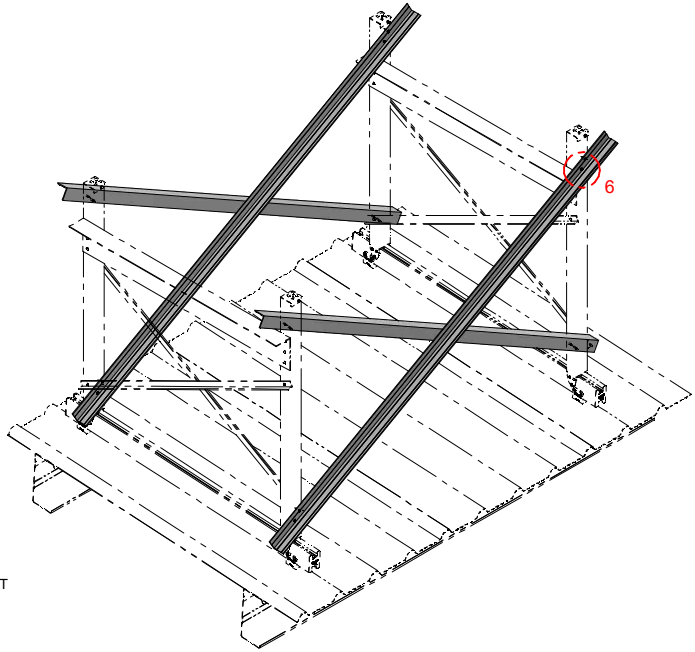
Every ducting support frame must be braced using the 25 x 3 Equal Angle bracing. Fix bracing to the vertical posts as shown using 1 x 25mm tek screw per connection. NOTE: Bracing must be as close to top & bottom of the posts as possible.

Monkeytoe

EVERYTHING BETTER
0800 658 637 - www.monkeytoe.co.nz

DUCT SUPPORT SYSTEM			
ROOF MOUNTED			
DWG No: TBC			21/02/2023
 DO NOT SCALE	SHEET 5 OF 10	A3	
	SCALE: 1:1	REV:01	
DIMENSIONS IN MILLIMETERS			

STEP 5




STEP 5

Using 50 x 3 Equal Angle to brace between every second set (2 frames per set) of support frames. Use 2 x tek screws per connection to fix angle onto the vertical posts.

Monkeytoe

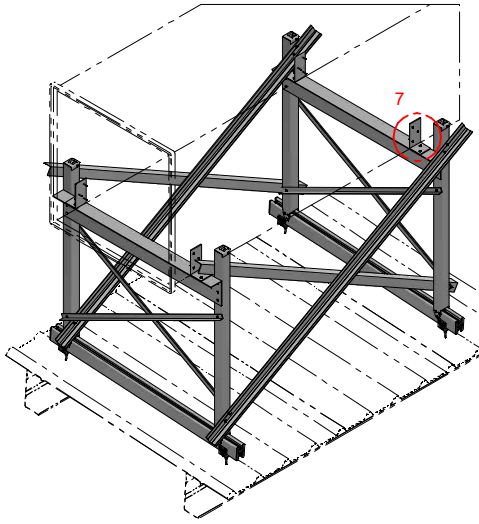
EVERYTHING BETTER
0800 658 637 - www.monkeytoe.co.nz

DUCT SUPPORT SYSTEM			
ROOF MOUNTED			
DWG No: TBC			21/02/2023
 DO NOT SCALE	SHEET 6 OF 10		A3
	SCALE: 1:1		REV:01
DIMENSIONS IN MILLIMETERS			

The drawing and associated design is the copyright and property of Monkeytoe Ltd. It shall not be used for any purpose or project, without prior written consent other than designed by Monkeytoe Ltd. ©

STEP 6

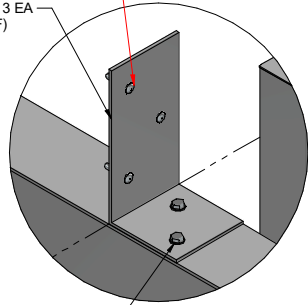
TIP:
Use Cut Offs From Duct Bracing (See Sheet 3) To Make Brackets. Cut 75mm Long



USE RIVETS TO FIX INTO DUCTS
(Supplied by Others)

RESTRAIN DUCTING ONTO EVERY SUPOROT FRAME

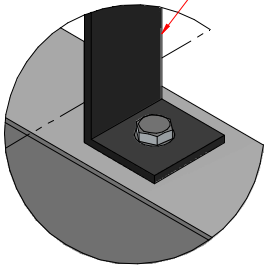
150 x 75 x 3 EA
(4 OFF)



DETAIL 7

2 x TEK Screws

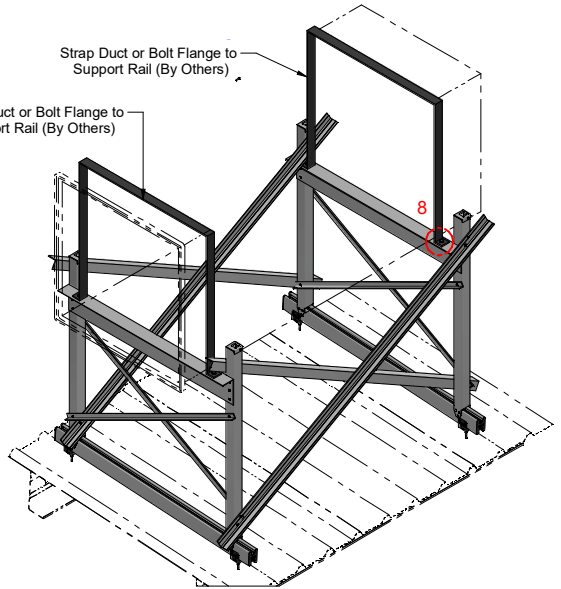
DUCT STRAP AND FIXING TO BE PROVIDED BY OTHERS



DETAIL 8

Strap Duct or Bolt Flange to Support Rail (By Others)

Strap Duct or Bolt Flange to Support Rail (By Others)



STEP 6

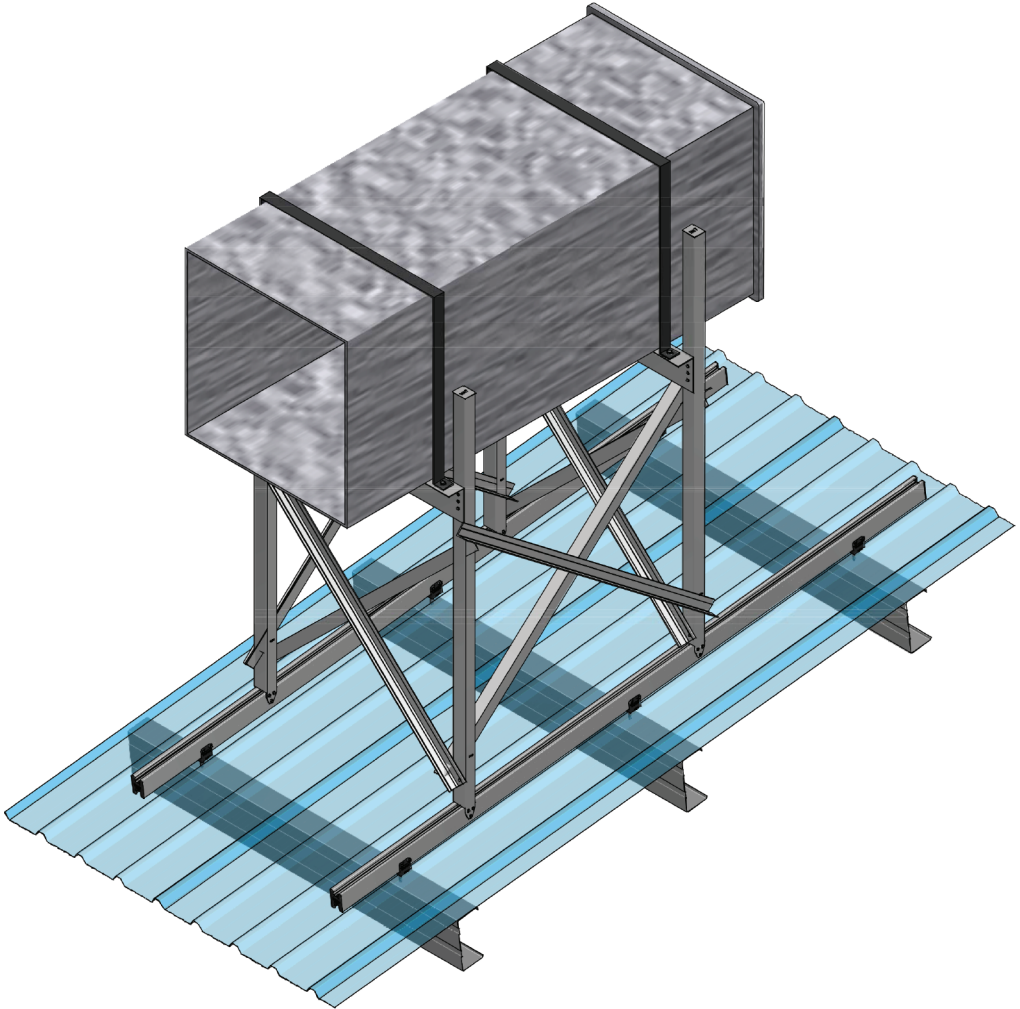
Position ducting & restrain onto every support frame.


NOTE: Strap restraint to be provided by mechanical contractor.

Monkeytoe

EVERYTHING BETTER
0800 658 637 - www.monkeytoe.co.nz

DUCT SUPPORT SYSTEM		
ROOF MOUNTED		
DWG No: TBC		21/02/2023
	SHEET 7 OF 10	A3
	SCALE: 1:1	REV.01
DO NOT SCALE	DIMENSIONS IN MILLIMETERS	



DUCT SUPPORT SYSTEM		
ROOF MOUNTED		
DWG No: TBC		21/02/2023
	SHEET 10 OF 10	A3
	SCALE: 1:1	REV:01
DO NOT SCALE	DIMENSIONS IN MILLIMETERS	